



# LED SOLUTIONS

..... For Harsh & Hazardous Environments .....



# LED SOLUTIONS

..... For Harsh & Hazardous Locations .....



## Made in Britain

Chalmit® products are designed and manufactured in the UK. We are proud to endorse and sustain a great tradition in engineering and innovation.



Follow us



## Ahead of the LED curve, since 2005.

In 2005, using our century's worth of experience designing luminaires for hazardous areas, Chalmit introduced the world's first Zone 1 LED luminaire: the NexLED. Since then, we've expanded our range to ensure that our customers can benefit from the energy efficiency and cost savings that LED can deliver. We're now proud to offer the most complete range of LED luminaires on the market. With an offering including; linear, flood, bulkhead and recessed lighting, find the right products for the exacting demands of the worlds most harsh and hazardous environments with Chalmit.

## Why switch to LED?

It's our mission to design luminaires with the best system lifetime, efficiency and light performance.

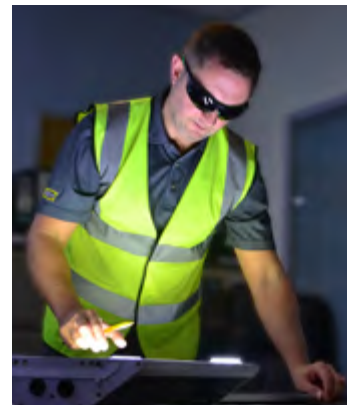
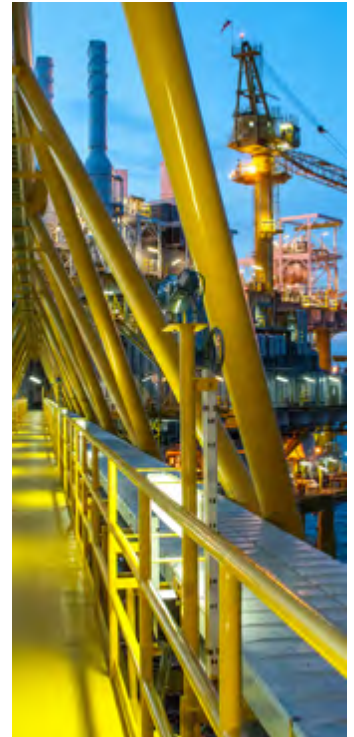
That's why we champion LED technology. Not only can LED luminaires offer a maintenance-free lifetime up to 500% longer than traditional fluorescent luminaires, they're also up to 50% more efficient. This means fewer maintenance visits and dramatically reduced energy usage and infrastructure costs. LEDs also provide a highly directional light with minimal loss or spill and impressive colour rendering qualities, this dramatically reduces light pollution and minimises the number of luminaires required to illuminate a workplace effectively.

Our expert team are on hand to help you discover more about the benefits of LED, just get in touch.

**Email:** [info@chalmit.com](mailto:info@chalmit.com)

**Phone:** +44(0)141 882 5555

**Visit:** [www.chalmit.com](http://www.chalmit.com)



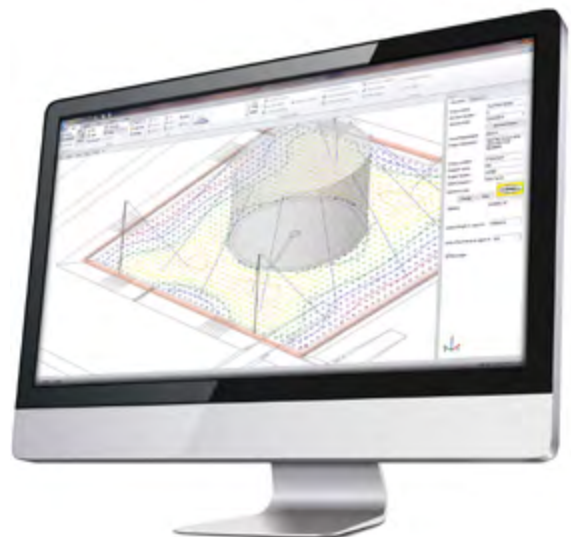
# Lighting Design Software

Chalmit's Hazardous Area and Industrial Lighting Design Software **ChalmLite 6** has been developed specifically for the Harsh & Hazardous industry and is free to download.

## CHALMLITE 6

With a simple Windows-based user interface and enhanced key features, the software allows users to create designs that range from simple to very complex layouts.

- Realistically rendered views
- Normal, escape and essential calculation facility
- Integrated CAD layer manager and CAD element tools
- Improved estimator, with single-page report option
- Luminaire selection by lumen range and hazardous classification



**C6** ChalmLite 6 is free of charge

Go to [www.chalmit.com](http://www.chalmit.com) to download now



## LED Luminaires

### Zone 1

Protecta X	Linear	06
Protecta III	Linear	10
Protecta III	Retrofit Geartray	12
Lomond	Linear	14
Acclaim	Recessed Linear	16
Curie Elite	Recessed Linear	20
238	Highbay	24
Scotia Ex	Floodlight	26
Solas	Floodlight	28
HDL106N	Floodlight	30
HDL106NE	EM Floodlight	34
NexLED	Bulkhead	38
Nevis	Bulkhead	40

### Accessories

Exit Kits NexLED	42
Crane Damper Brackets	43

### Zone 2

Sterling III	Linear	44
Eclipse II	Highbay	46
Eclipse Jnr	Highbay	50
Arran	Floodlight	52
Arran H/O	Floodlight	54
HDL206N	Floodlight	56
HDL206NE	Em Floodlight	60
Nexus II	Bulkhead	64

### Industrial

Protecta X	Linear	66
Protecta III	Linear	68
Sterling III	Linear	70
Acclaim	Recessed Linear	72
Curie	Recessed Linear	76
Eclipse II	Highbay	80
Eclipse Jnr	Highbay	84
Orion	Highbay	86
Arran	Floodlight	88
Arran H/O	Floodlight	90
Solas	Floodlight	92
HDN106N	Floodlight	94
HDN106NE	EM Floodlight	98
NexLED	Bulkhead	102
Nevis	Bulkhead	104
Starline II	Streetlight	106



# PROTECTA X

Ex eb LED Linear

The next generation in LED linear luminaires, the Protecta X's revolutionary design puts LED at the centre to provide the performance of a 4ft linear in a lightweight and slimline package. With a robust enclosure and excellent IP, the Protecta X is suitable for use in the world's most arduous environments. Expected useful life to 70% of the initial lumens (L70) is >200,000 hours at 25°C, with an incredible 90,000 maintenance free hours at 60°C. For a luminaire with the longest life, the highest output and market-leading efficacy, choose the **Protecta X**.



## Mounting Options

Ceiling. Wall. Suspended. Pole. Handrail.

## Standard Specification

Protecta X Ex eb LED Linear

Type of Protection	Ex db eb mb (Flameproof, Increased Safety, Encapsulation) Ex tb (Dust Protected Enclosure)
ATEX Classification	Group II Category 2 GD
Area Classification	Zone 1 and 21 areas to EN 60079-10-1 and EN 60079-10-2
Certificate	EU Type Examination Certificate CML18ATEX3358X IECEX Certificate of Conformity IECEX CML 18.0167X
Coding	Ex db eb mb op is IIC T5 Gb Ex op is tb IIIC T85°C Db IP6X
Enclosure	Marine grade aluminium body with polycarbonate diffuser. Driver enclosure with epoxy powder finish (RAL 9005)
Geartray	Aluminium
Entry	4 x M20 cable entries - 2 at each end [3 cable entries on Emergency with battery stick]
Termination	3 core 4mm <sup>2</sup> max conductor [4 core on Emergency] with looping one end and 16A rating through wiring
Installation	2 x M8 mounting points located on the rear of the body
Control Gear	Electronic Driver
Optical Distribution	Wide beam
Colour Temperature (CCT)	5000K (Cool White)
Colour Rendering Index (Ra)	>70
Maintenance	Front access panel with Torx screws
LED Lifetime @ 60°C Ambient	L70 > 200,000hrs
System Life @ Ambient	120,000hrs @ 25°C; 90,000hrs @ 60°C [excluding battery]
Battery	Hot-Swappable Ni-MH (6V) battery stick - externally accessed [/EM version only]
Emergency Duration	90 mins (02L = 50% output; 05L = 25% output) [ASL/ASW Asymmetric versions - 3hours only]
Impact Protection	IK10
Ingress Protection	IP66/67 to EN 60529
Surge Protection	4kV
Electrical Supply	110-277V AC, 50/60Hz 127-250V DC

## Features

- ◆ Highly **Energy Efficient** >135lm/W
- ◆ **Battery management** and automatic self test
- ◆ **Multiple beam** distributions available
- ◆ **Front access cover** with screwless mains terminals for easy termination
- ◆ **>90,000 maintenance free hours** at 60°C
- ◆ **Externally accessible battery stick** for ease of maintenance

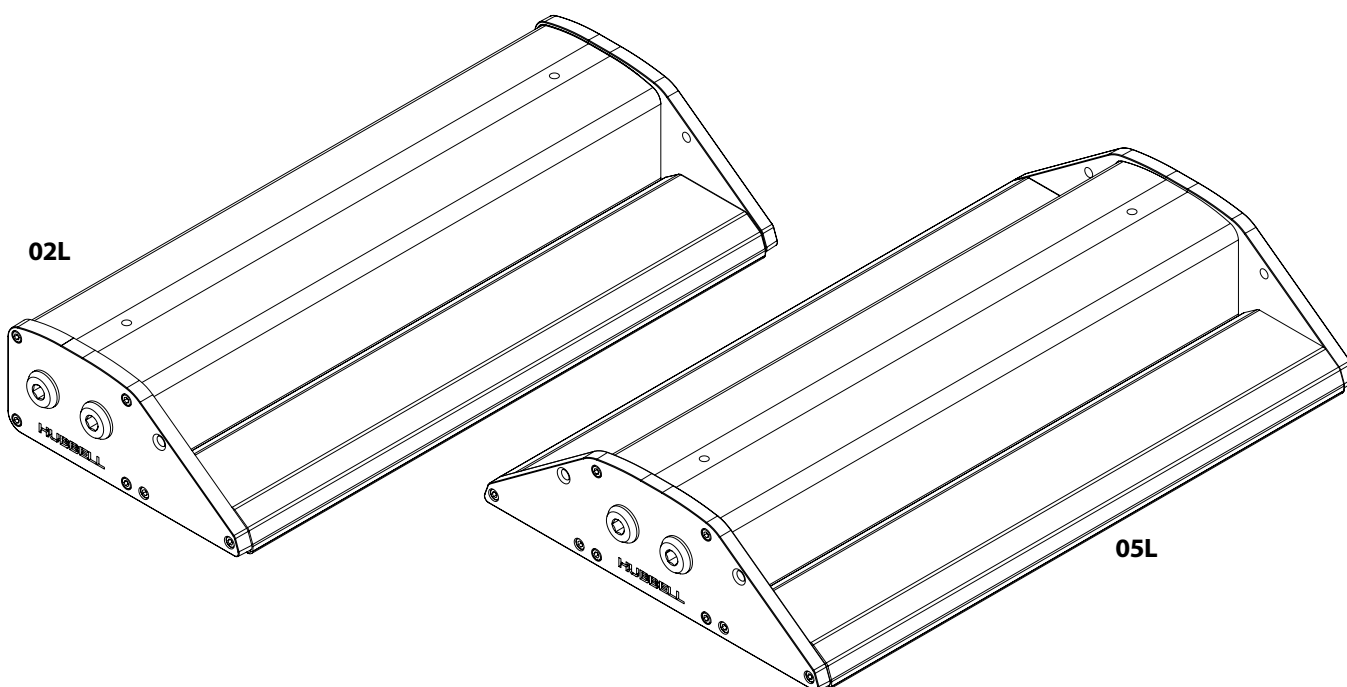
Std. Cat No.	Delivered Output	Power Consumption	Tclass	T°C (Dust)	Ambient °C	Weight
<b>PRXB/02L/LE</b>	2696 lm	16W	T5	85	-40 to +60	7.1kg
<b>PRXB/05L/LE</b>	5230 lm	36W	T5	85	-40 to +60	9.1kg
<b>PRXB/02L/LE/EM</b>	2696 lm	18.5W	T5	85	-25 to +60	7.6kg
<b>PRXB/05L/LE/EM</b>	5230 lm	38.5W	T5	85	-25 to +60	9.6kg

Options - Suffix to Catalogue No.

<b>/M25</b>	M25 cable entries	<b>/3H</b>	3 hour battery duration (02L = 25% output; 05L = 12.5% output) [Standard on ASW or ASL versions]
<b>/LBE</b>	Looping both sides [Non Emergency only]	<b>/4K</b>	4000K (Neutral White) LED Strips
<b>/EL</b>	Extra live termination facility (to match emergency circuit)	<b>/SC</b>	Screwed connection terminal block (up to 6mm <sup>2</sup> conductors)
<b>/EMI</b>	Internal battery pack [replace /EM with /EMI]	<b>/BNI</b>	Batteries not included [Emergency version only]
<b>/NST</b>	Non Self Test [Emergency version only]	<b>/DM</b>	DALI Dimmable driver
<b>/ASL</b>	Asymmetric along length optic	<b>/M</b>	Medium beam optic
<b>/ASW</b>	Asymmetric along width optic [05L version only]	<b>/BP</b>	Nickel plated brass plugs
<b>/80</b>	80 CRI LEDs		

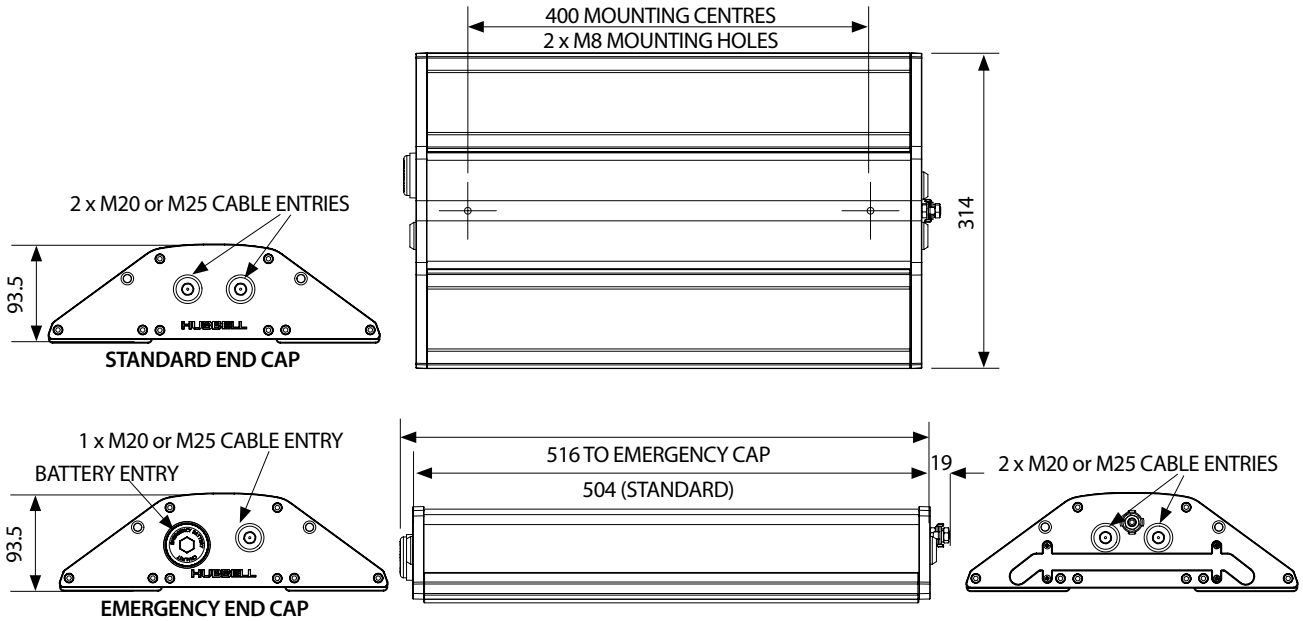
Accessories *order separately*

	Order Code
Pole mounting bracket assembly (38-42mm diameter poles)	<b>SPOL4-100001</b>
Pole mounting bracket assembly (48-52mm diameter poles)	<b>SPOL4-100002</b>
Pole mounting bracket assembly (58-62mm diameter poles)	<b>SPOL4-100003</b>
Hook type ceiling bracket assembly	<b>SPRO4-0005</b>
Flush mounted wall bracket assembly	<b>SPRO4-0006</b>
Ceiling bracket assembly	<b>SPRO4-0002</b>
Standard wall mounting outreach bracket (use with SPOL4-100001)	<b>NPRO4-0008</b>
Eyebolt mounting assembly	<b>SPRO5-0005</b>
Protecta 4ft adaptor bracket	<b>SPRO5-0006</b>

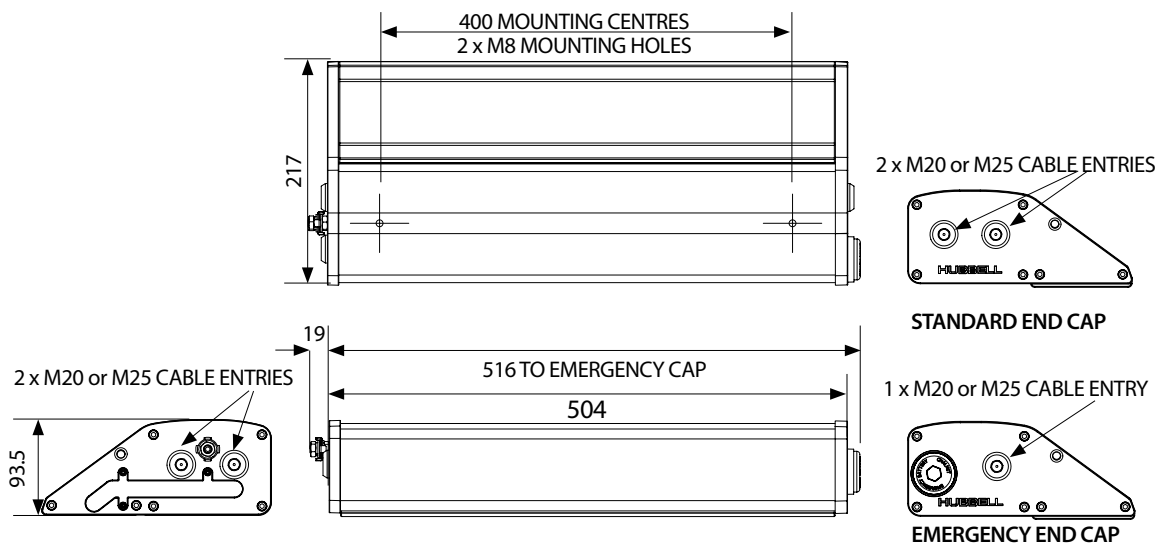


# Dimensioned Drawings

## PROTECTA X - 05L



## PROTECTA X - 02L





Chalmit

# PROTECTA X

*The Next Generation in Hazardous Area LED Lighting*



**Revolutionary** Design

**Longest** Life • **Highest** Output

**120,000 hrs+** Lifespan • **Market-Leading** Efficacy

**Optimised** Optical Design • **Innovative** Battery Stick

Performance of a 4ft linear in a **Slimline Compact Package**

**#XSeriesLED**

**Be prepared to break the linear mould.**



Follow us

[www.XSeriesLED.com](http://www.XSeriesLED.com)



Harsco & Hazardous



# PROTECTA III

Ex e LED Linear

The **Protecta III** LED linear delivers to the Industry unparalleled performance and photometry bringing forward all the recognised benefits of the Protecta range; a proven robust enclosure, excellent IP and low maintenance features which are key to the oil and gas industry.

Expected useful life to 70% of the initial lumens (L70) is a market leading 120,000 hours at 25°C. With fully replaceable LED strips and driver we deliver a unique product with effective long term maintenance capability.



## Mounting Options

Ceiling. Wall. Suspended. Pole.

## Standard Specification

Protecta III Ex e LED Linear

Type of Protection	Ex e mb q (Increased Safety, Encapsulation, Powder filling) Ex tb (Dust Protected Enclosure)
ATEX Classification	Group II Category 2 GD
Area Classification	Zone 1 and 21 areas to EN 60079-10-1 and EN 60079-10-2 with installation to EN 60079-14
Certificate	EU Type Examination Certificate Baseefa04ATEX0220 IECEX Certificate of Conformity IECEX BAS09.0017
Coding	Ex e mb op is q IICT4 Gb Ex tb IIIC T95°C Db IP6X
Enclosure	GRP body with polycarbonate cover
Geartray	Galvanised Steel
Entry	4 x M20 cable entries - 2 at each end
Termination	3 core 4mm <sup>2</sup> max conductor with looping and 16A rating through wiring [4 core on Emergency]
Installation	2 x M8 tapped brass inserts located on the rear of the body
Control Gear	Electronic Driver
Colour Temperature (CCT)	6000K (Cool Daylight)
Colour Rendering Index (Ra)	>80
Maintenance	Quick release diffuser clamp and hinged cover
System Life	120,000hrs @ 25°C [excluding battery]
Battery	Internal Ni-Cd (6V) [Emergency version only]
Emergency Duration	90 mins (30% output)
Ingress Protection	IP66/67 to EN 60529
Surge Protection	4kV
Electrical Supply	220-254V AC, 50/60Hz

## Features

- ◆ Highly **Energy Efficient**
- ◆ Full length **easy access** diffuser clamp
- ◆ **DTS-01** deluge tested
- ◆ **Screwless** mains terminals
- ◆ **120,000 maintenance free hours** at 25°C (L70)
- ◆ **Retrofit** geartray available

Std. Cat No.	Delivered Output	Power Consumption	Tclass	T°C (Dust)	Ambient °C	Weight
<b>PRGE/02L/LE</b>	2178 lm	30W	T4	95	-40 to +55	7.9kg
<b>PRGE/05L/LE</b>	4607 lm	60W	T4	95	-40 to +55	11.5kg
<b>PRGE/02L/LE/EM</b>	2178 lm	32W	T4	95	-25 to +55	8.9kg
<b>PRGE/05L/LE/EM</b>	4607 lm	64W	T4	95	-25 to +55	13.0kg

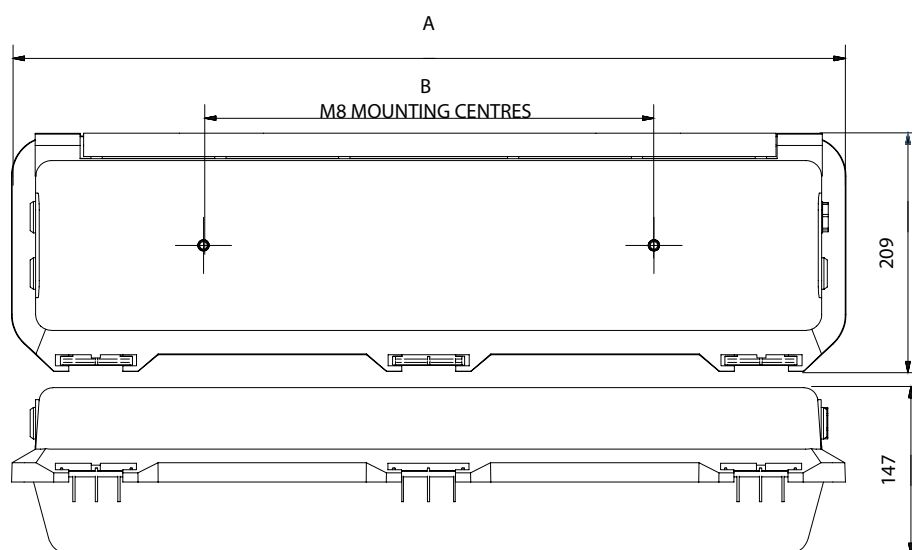
Note: Installed Protecta III fluorescents can be upgraded to LED by ordering Protecta Retrofit Geartray (see PRRE data sheet)

Options - Suffix to Catalogue No.			
<b>/M25</b>	M25 cable entries	<b>/3H</b>	3 hour battery duration (15% output)
<b>/LBE</b>	Looping both sides	<b>/4K</b>	4000K (Neutral White) LED Strips
<b>/EL</b>	Extra live termination facility (to match emergency circuit)	<b>/SC</b>	Screwed connection terminal block (up to 6mm <sup>2</sup> conductors)
<b>/OD</b>	Opal diffuser cartridge (reduces maximum ambient to +45°C)	<b>/LT</b>	Low temperature version (Emergency ambient becomes -40°C to +55°C)**
<b>/GIS</b>	Geartray isolation switch (Gas coding becomes - Ex d e mb q)	<b>/LTT</b>	Low temperature version with battery temperature regulator (Emergency ambient becomes -40°C to +45°C)
<b>/120</b>	Specific voltage (110-130V AC)	<b>/BP</b>	Nickel plated brass plugs (x3)
<b>/SE</b>	Spigot entry (standard model only)	<b>/MSB</b>	Moulded-in stainless steel mounting bushes

\*\* /LT is also optional on standard model to minimise ice build-up.

### Accessories *order separately*

	Order Code
Pole mounting bracket assembly (38/42 diameter poles)	<b>SPOL4-100001</b>
Pole mounting bracket assembly (48/52 diameter poles)	<b>SPOL4-100002</b>
Pole mounting bracket assembly (58/62 diameter poles)	<b>SPOL4-100003</b>
Hook type ceiling bracket assembly	<b>SPRO4-0005</b>
Flush mounted wall bracket assembly	<b>SPRO4-0006</b>
Ceiling bracket assembly	<b>SPRO4-0002</b>
Standard 2ft wall mounting outreach bracket (use with SPOL4-100001)	<b>NPRO4-0008</b>
Standard 4ft wall mounting outreach bracket (use with SPOL4-100001)	<b>NPRO4-0012</b>
Eyebolt mounting assembly	<b>SPRO5-0005</b>



DIM	02L	05L
DIM A	742	1352
DIM B	400	700



# PROTECTA III

## RETROFIT LED GEARTRAY

The **Protecta III LED Geartray** is a unique solution to upgrade and utilise the very latest LED technology in existing Protecta III fluorescents. Complete with LED strips and electronic driver, the geartray can be easily retro-fitted into the Protecta III GRP enclosure in a matter of minutes.

The robust enclosure is not compromised as it remains unchanged and all existing cabling and glanding can remain in place offering significant installation cost savings when upgrading to LED



### Mounting Options

Ceiling. Wall. Suspended. Pole.

## Standard Specification

Protecta Ex e LED Linear Fluorescent Replacement

Type of Protection*	Ex e mb q (Increased Safety, Encapsulation, Powder filling) Ex tb (Dust Protected Enclosure)
ATEX Classification*	Group II Category 2 GD
Area Classification*	Zone 1 and 21 areas to EN 60079-10-1 and EN 60079-10-2 with installation to EN 60079-14
Certificate*	EU Type Examination Certificate Baseefa04ATEX0220 IECEX Certificate of Conformity IECEX BAS09.0017
Coding	Ex e mb op is q II C T4 Gb Ex tb IIIC T95°C Db IP6X
Geartray	Galvanised Steel
Installation	Fix to existing GRP body - refer to IOM
Control Gear	Electronic Driver
Colour Temperature (CCT)	6000K (Cool Daylight)
Colour Rendering Index (Ra)	>80
Maintenance	Components accessible on geartray
System Life	120,000hrs @ 25°C [excluding battery]
Battery	Internal Ni-Cd (6V) [Emergency version only]
Emergency Duration	90 mins (30% output)
Ingress Protection*	IP66/67 to EN 60529
Surge Protection	4kV
Electrical Supply	220-254V AC, 50/60Hz

\* Only applicable once installed in Protecta III GRP enclosure

## Features

- ◆ Highly **Energy Efficient**
- ◆ **120,000 maintenance free hours** at 25°C (L70)
- ◆ **Simple upgrade** of existing fluorescents

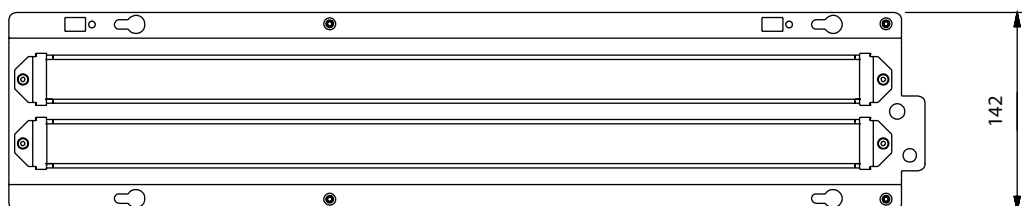


Std. Cat No.	Delivered Output	Power Consumption	Ambient °C	Weight
<b>PRRE/02L/LE</b>	2178 lm	30W	-40 to +55	5.0kg
<b>PRRE/05L/LE</b>	4607 lm	60W	-40 to +55	6.0kg
<b>PRRE/02L/LE/EM</b>	2178 lm	32W	-25 to +55	6.0kg
<b>PRRE/05L/LE/EM</b>	4607 lm	64W	-25 to +55	7.5kg

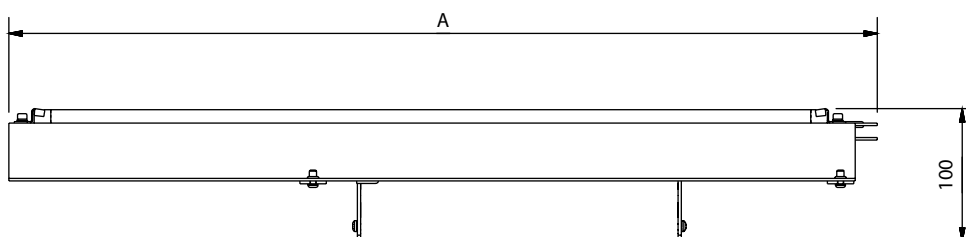
Options - Suffix to Catalogue No.

<b>/120</b>	Specific voltage (110-130V AC)	<b>/4K</b>	4000K (Neutral White) LED Strips
<b>/3H</b>	3 hour battery duration (15% output)	<b>/LT</b>	Low temperature version (Emergency ambient becomes -40°C to +55°C)**
<b>/OD</b>	Opal diffuser cartridge (reduces maximum ambient to +45°C)	<b>/LTT</b>	Low temperature version with battery temperature regulator (Emergency ambient becomes -40°C to +45°C)

\*\* /LT is also optional on standard model to minimise ice build-up.



DIM	02L	05L
A	657	1261



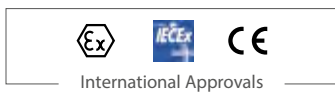


# LOMOND

Ex db LED Linear

The **Lomond** is a rugged, flameproof LED luminaire. It features an integrated mounting channel for universal installation. The aluminium and glass construction make the Lomond highly resistant to aggressive chemical agents.

This luminaire is suitable for installation in gas group IIC, making it a universal LED solution.



## Mounting Options

Ceiling. Wall. Suspended. Pole.

## Standard Specification

Lomond Ex db LED Linear

Type of Protection	Ex db (Flameproof) Ex db eb (Flameproof, Increased Safety) [Emergency only] Ex tb (Dust Protected Enclosure)
ATEX Classification	Group II Category 2 GD
Area Classification	Zone 1 and Zone 21 areas to EN 60079-10-1 and EN 60079-10-2 with installation to EN 60079-14
Certificate	EU Type Examination Certificate CML16ATEX1020X IECEX Certificate of Conformity IECEX CML16.0016X
Coding	Ex db op is IIC T6 Gb [Standard] Ex db eb mb op is IIC T6 Gb [Emergency] Ex tb IIIC T85°C Db
Enclosure	Aluminium Alloy LM6 and borosilicate glass overtube
Geartray	Painted steel reflector
Entry	2 x M20 cable entries
Termination	3 core 4mm <sup>2</sup> max. conductor with looping and 16A rating through wiring [4 core on Emergency]
Installation	Steel support rail
Control Gear	Electronic Driver
Colour Temperature (CCT)	4000K (Neutral White)
Colour Rendering Index (Ra)	>80
Maintenance	Two socket head screws
Battery	External Ni-Cd (6V) [Emergency only]
Emergency Duration	3 hours (35% output)
Ingress Protection	IP66/67
Surge Protection	4kV
Electrical Supply	220-240V AC, 50/60 Hz

## Features

- ◆ Highly **Energy Efficient**
- ◆ Cool running **improves T-rating**
- ◆ Suitable for **high ambient area**
- ◆ Standard support channel allows for **multiple fixing centres**

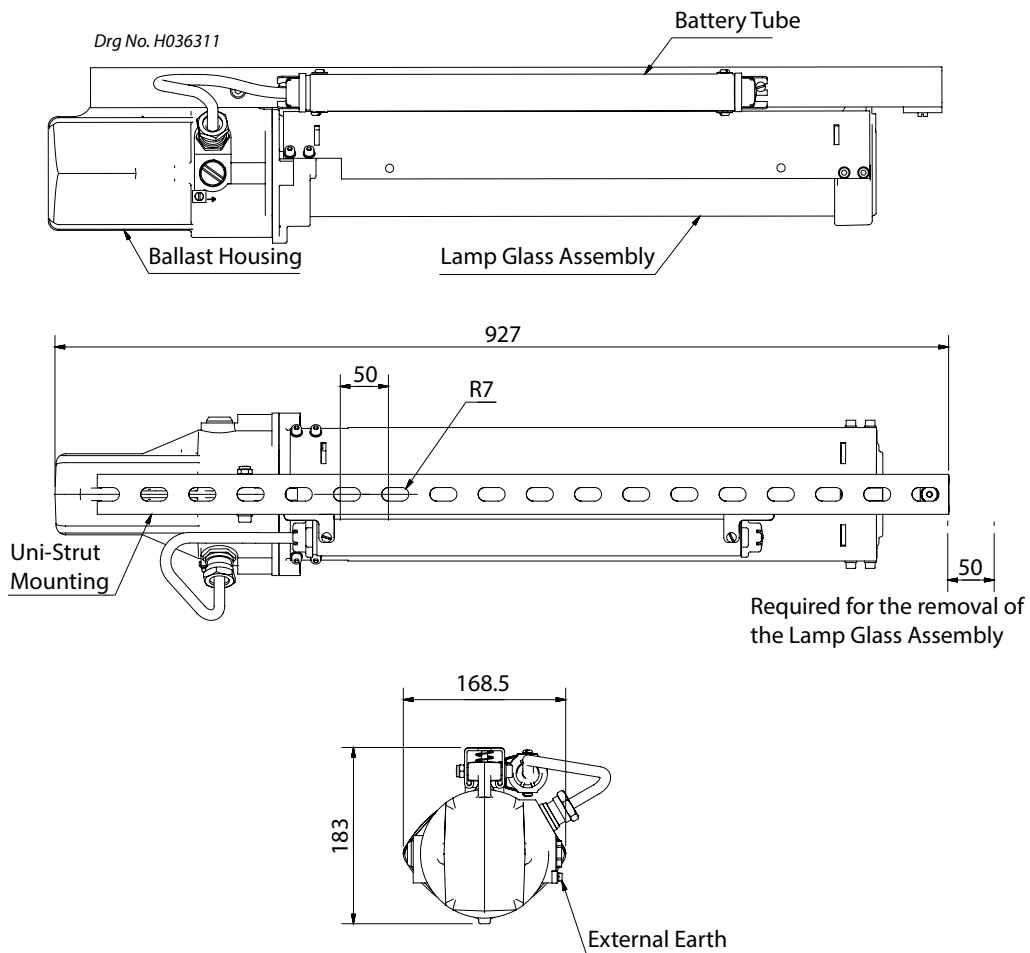
Std. Cat No.	Delivered Output	Power Consumption	Tclass	T°C (Dust)	Ambient °C	Weight
<b>LOMD/01L/LE</b>	1314 lm	20W	T6	85	-20 to +55	8.0kg
<b>LOMD/01L/LE/EM</b>	1314 lm	24W	T6	85	-20 to +55	10.5kg

Options - Suffix to Catalogue No.

**/M25** M25 Cable entries

## Accessories *Accessories should be ordered separately*

	Order Code
Ceiling Mounting Bracket Assembly	<b>SLOMD-000001</b>
Wall Mounting Bracket Assembly	<b>SLOMD-000003</b>
Pole Mounting Bracket Assembly (38-42mm)	<b>SPOL4-100007</b>
Pole Mounting Bracket Assembly (48-52mm)	<b>SPOL4-100008</b>
Pole Mounting Bracket Assembly (58-62mm)	<b>SPOL4-100009</b>
S/S Wire Guard	<b>SLOMD-000038</b>





# ACCLAIM

Ex eb LED Recessed Linear

The **Acclaim** is a recessed luminaire designed for use in solid or plank ceiling types, and is regularly used in offshore accommodation modules for both task and emergency/escape lighting.

With an equivalent performance to the fluorescent models, the Acclaim now provides all the long life benefits associated with LED in a familiar housing.



## Mounting Options

Recessed. Suspended (drop rods).

## Standard Specification

Acclaim Ex eb LED Recessed Linear

Type of Protection	Ex eb mb q (Increased Safety, Encapsulation, Powder filling) Ex tb (Dust Protected Enclosure)
ATEX Classification	Group II Category 2 GD
Area Classification	Zone 1 and 21 areas to EN 60079-10-1 and EN 60079-10-2 with installation to EN 60079-14
Certificate	EU Type Examination Certificate CML16ATEX3095X IECEX Certificate of Conformity IECEX CML16.0043X
Coding	Ex eb mb op is q IIC T4 Gb Ex tb IIIC T95°C Db IP65
Enclosure	White polyester painted zintec body and frame. Frame colour RAL 9010. Prismatic Diffuser.
Geartray	Aluminium
Entry	4 x 21mm clearance holes - 2 at each end
Termination	3 core 4mm <sup>2</sup> max conductor with looping and 16A rating through wiring [4 core on emergency]
Installation	Fixed side brackets with swing out arms, and provision for drop rod mounting.
Control Gear	Electronic Driver
Colour Temperature (CCT)	4000K (Neutral White)
Colour Rendering Index (Ra)	>80
Maintenance	Via front cover, secured by pan head screws
System Life	120,000hrs @ 25°C [excluding battery]
Battery	Internal Ni-Cd (6V) [Emergency version only]
Emergency Duration	90 mins (30% output)
Ingress Protection	IP65 to EN 60529
Surge Protection	4kV
Electrical Supply	220-254V AC, 50/60Hz

## Features

- ◆ Highly **Energy Efficient**
- ◆ **Quick release** mains terminal
- ◆ **Resistant** to voltage fluctuations
- ◆ **Fully maintainable** with replaceable LED strips and driver
- ◆ **B15 SOLAS fire rating** - appropriate insulation is required over luminaire
- ◆ **120,000 maintenance free hours** at 25°C (L70)



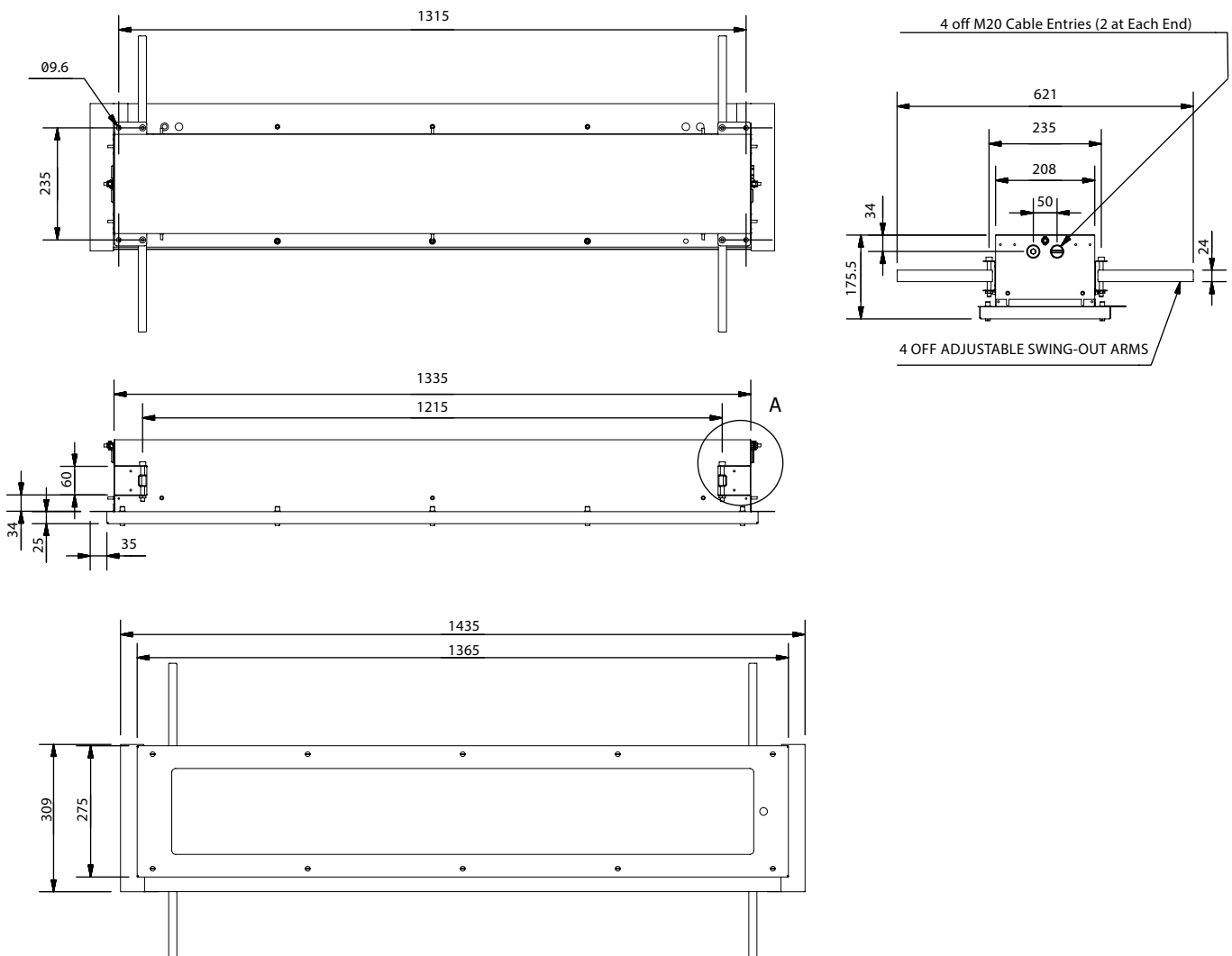
Std. Cat No.	Delivered Output	Power Consumption	Tclass	T°C (Dust)	Ambient °C *	Weight
<b>ACLE/02L/LE</b>	2054 lm	30W	T4	95	-20 to +45	9.5kg
<b>ACLE/04L/LE</b>	3987 lm	60W	T4	95	-20 to +45	16.5kg
<b>ACLE/02L/LE/EM</b>	2054 lm	32W	T4	95	'-20 to +45	12.5kg
<b>ACLE/04L/LE/EM</b>	3987 lm	64W	T4	95	'-20 to +45	19.5kg

\* insulated ambient range

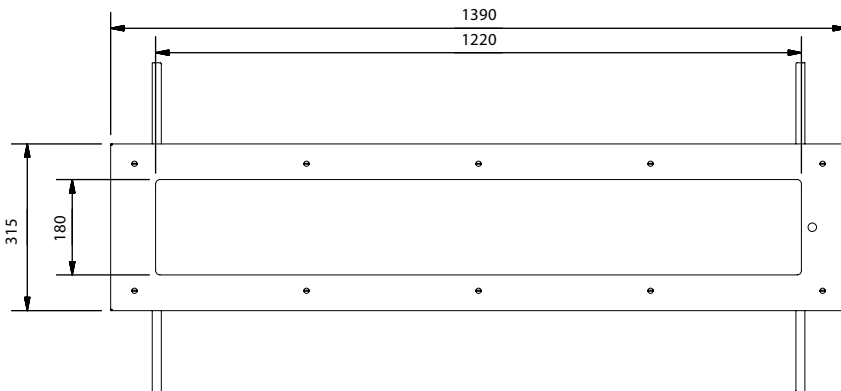
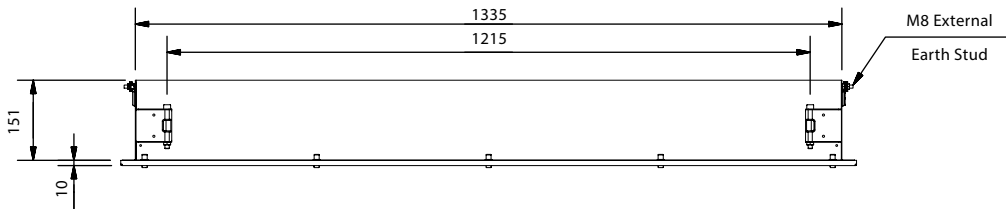
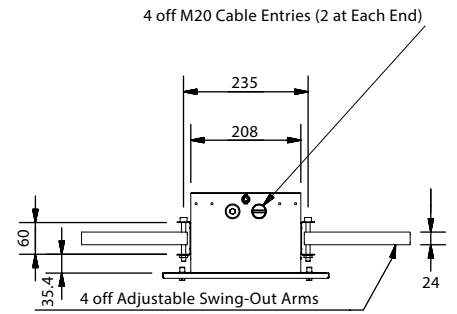
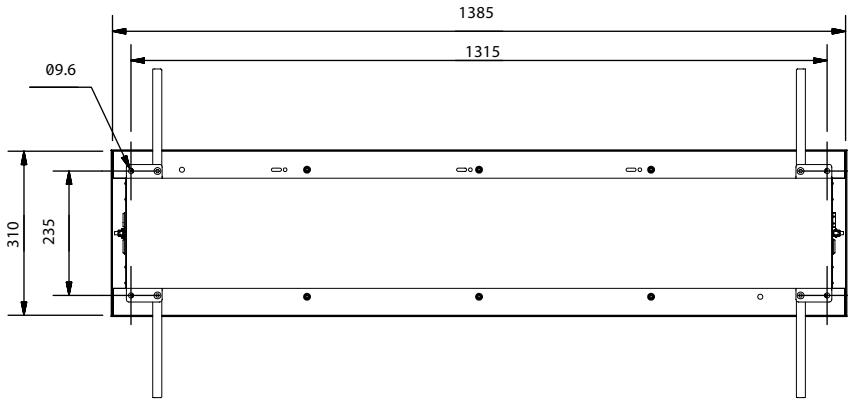
Options - Suffix to Catalogue No.

<b>/PC</b>	Solid plank ceiling (Painted frame colour RAL 9016G)	<b>/I20</b>	Specific voltage (110-130V AC)
<b>/3P</b>	3 phase termination facility (not available if through wiring required)	<b>/SSCS</b>	Brushed stainless steel cover (M300 ceiling only)
<b>/EL</b>	Extra live termination facility (compatible with 4 core switched emergency circuits)	<b>/SSC</b>	Brushed stainless steel cover (Solid plank ceiling only)
<b>/25</b>	25mm cable entries	<b>/3H</b>	3 hour battery duration (15% output)
<b>/SC</b>	Screwed connection terminal block (up to 6mm <sup>2</sup> conductors)	<b>/6K</b>	6000K (Cool Daylight) LED Strips
		<b>/GIS</b>	Geartray isolation switch (Gas coding becomes - Ex db eb mb op is q IIC)

ACLE/04L/LE



ACLE/04L/LE/PC

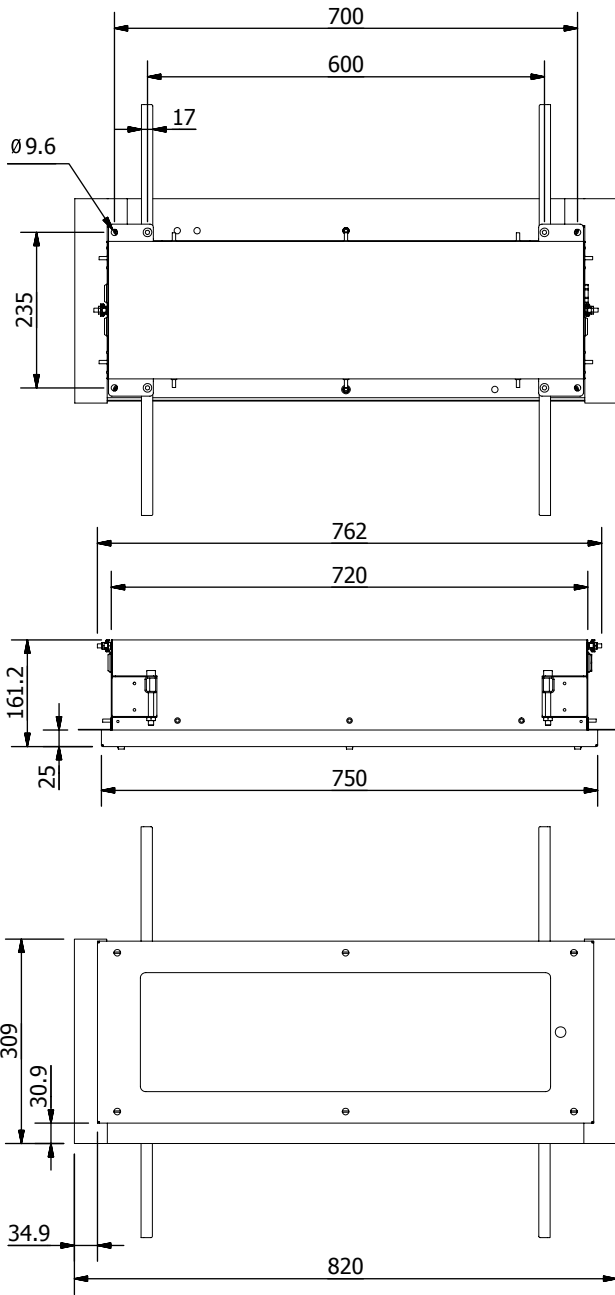


Adjust to ensure ceiling integrity

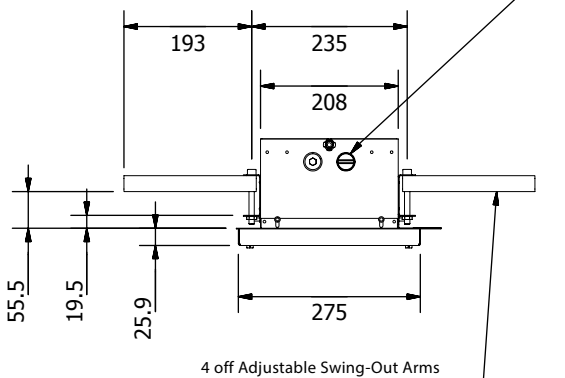


Single screw height adjustment

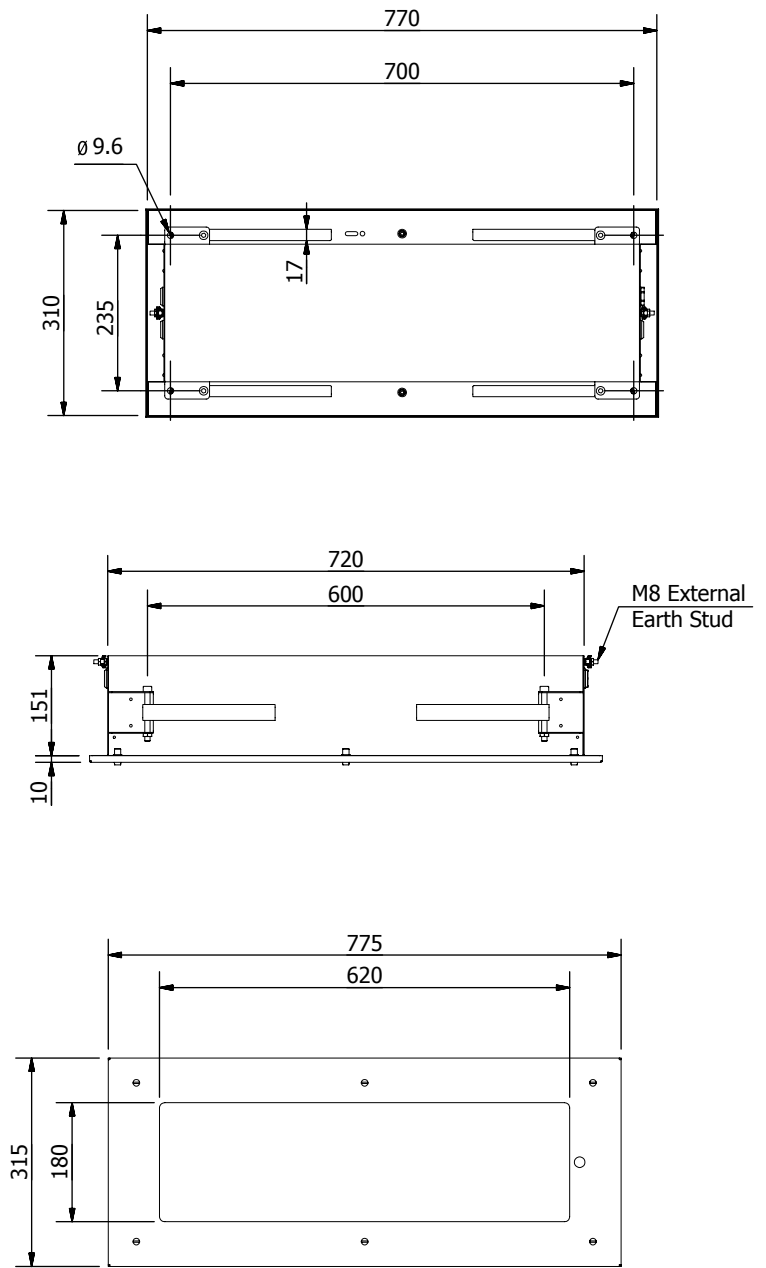
ACLE/02L/LE



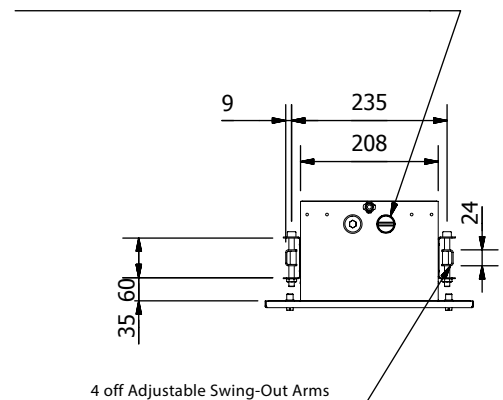
4 off M20 Cable Entries (2 at Each End)



ACLE/02L/LE/PC



4 off M20 Cable Entries (2 at Each End)





# CURIE ELITE

Ex eb LED Recessed Linear

The **Curie Elite** LED is a recessed luminaire designed for use in solid or plank ceiling types.

Widely used in offshore accommodation modules this proven luminaire is now available in LED bringing all the benefits of long life LED technology with replaceable LED strips and driver.



## Mounting Options

Recessed. Suspended (drop rods).

## Standard Specification

Curie Elite Ex eb LED Recessed Linear

Type of Protection	Ex eb mb q (Increased Safety, Encapsulation, Powder filling) Ex tb (Dust Protected Enclosure)
ATEX Classification	Group II Category 2 GD
Area Classification	Zone 1 and 21 areas to EN 60079-10-1 and EN 60079-10-2 with installation to EN 60079-14
Certificate	EU Type Examination Certificate CML16ATEX3335X IECEX Certificate of Conformity IECEX CML16.0108X
Coding	Ex eb mb op is q IIC T4 Gb Ex tb IIIC T95°C Db IP65
Enclosure	White polyester painted zintec body and aluminium frame. Frame colour RAL 9016G with prismatic polycarbonate diffuser
Geartray	Aluminium
Entry	4 x 20mm clearance holes located on top - two each side
Termination	4 core 4mm <sup>2</sup> max conductor with looping and 16A rating through wiring
Installation	Side brackets with adjustable arms (solid ceilings) with provision for drop rod mounting
Control Gear	Electronic Driver
Colour Temperature (CCT)	4000K (Neutral White)
Colour Rendering Index (Ra)	>80
Maintenance	Via front cover, secured by stainless steel fasteners
System Life	120,000hrs @ 25°C [excluding battery]
Battery	Internal Ni-Cd (6V) [Emergency version only]
Emergency Duration	90 mins (30% output)
Ingress Protection	IP65 to EN 60529
Surge Protection	4kV
Electrical Supply	220-254V AC, 50/60Hz

## Features

- ◆ Highly **Energy Efficient**
- ◆ **Quick release** mains terminal
- ◆ **Resistant** to voltage fluctuations
- ◆ **Fully maintainable** with replaceable LED strips and driver
- ◆ **B15 SOLAS fire rating** - appropriate insulation is required over luminaire
- ◆ **120,000 maintenance free hours** at 25°C (L70)

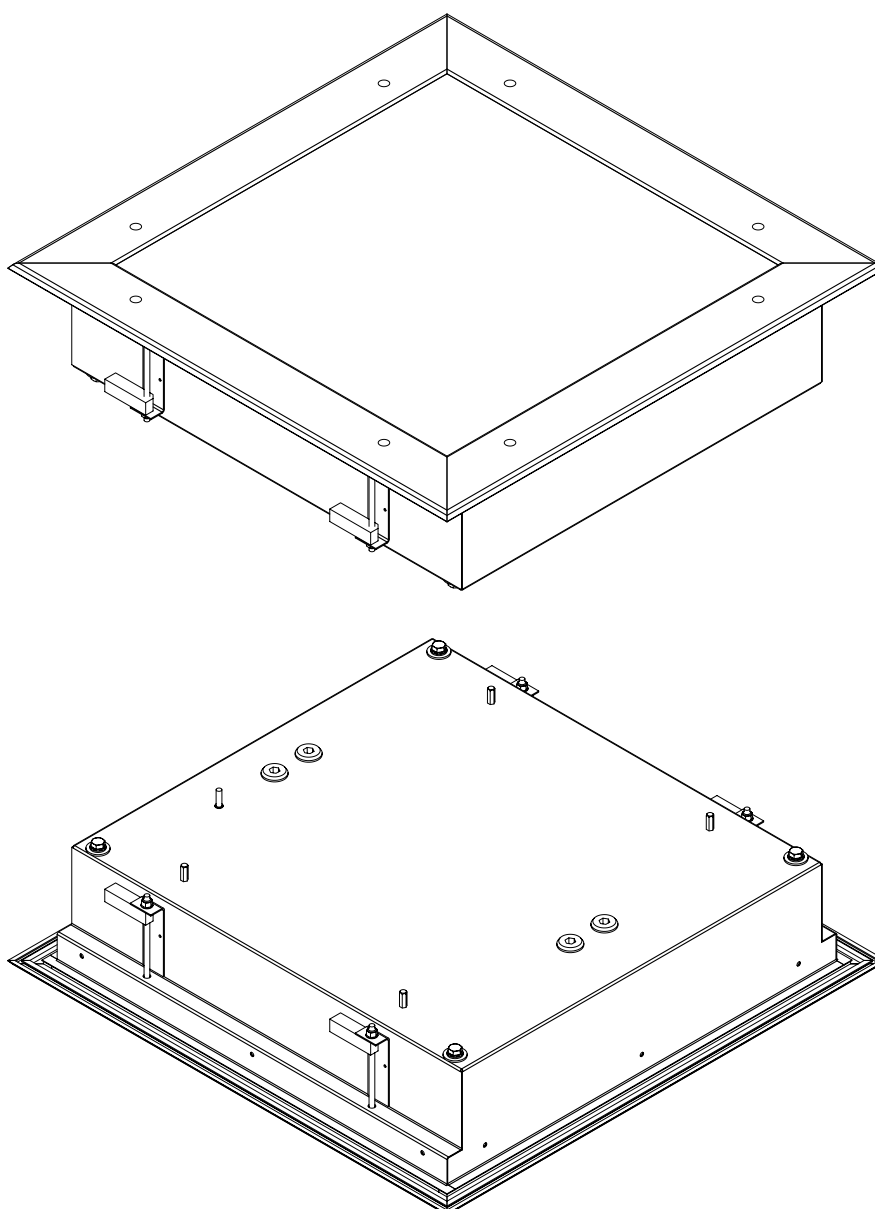


Std. Cat No.	Delivered Output	Power Consumption	Tclass	T°C (Dust)	Ambient °C *	Weight
<b>CUEE/03L/LE</b>	3407 lm	60W	T4	95	-20 to +45	16.0kg
<b>CUEE/03L/LE/EM</b>	3407 lm	64W	T4	95	-20 to +45	18.0kg

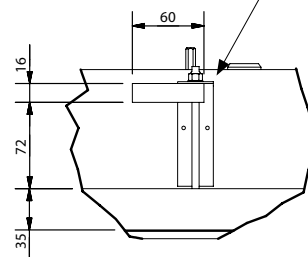
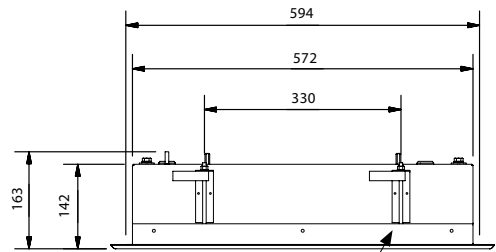
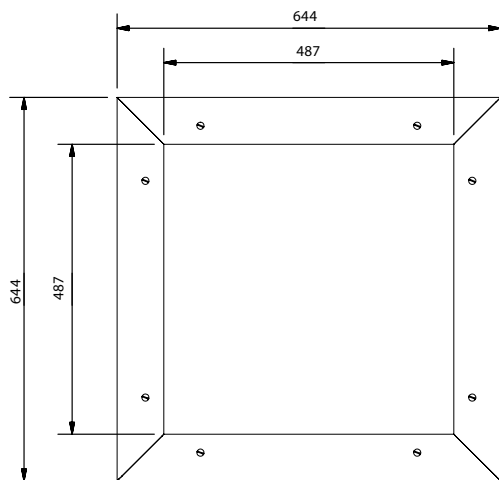
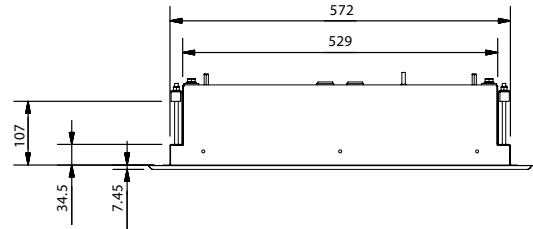
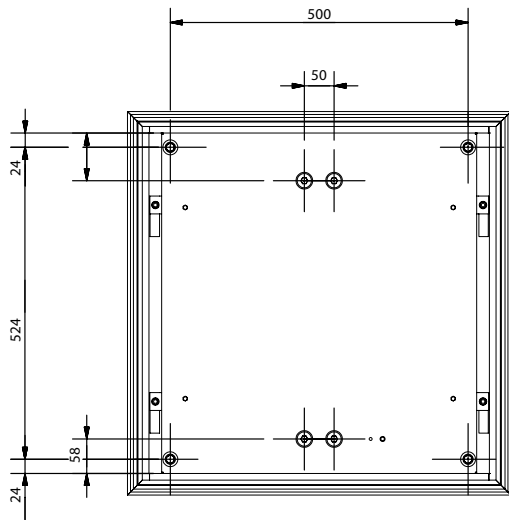
\*insulated ambient range

Options - Suffix to Catalogue No.

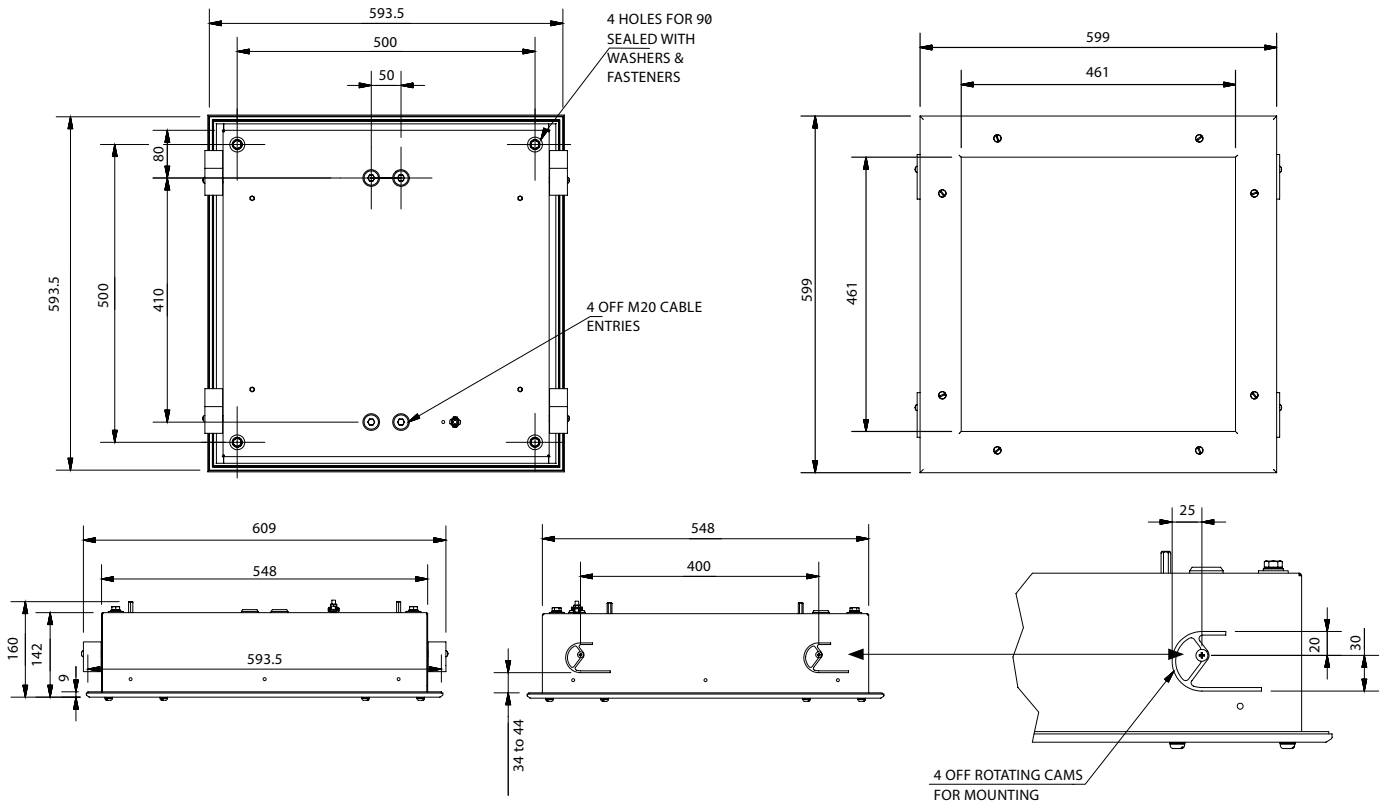
<b>/SC</b>	Screwed connection terminal block (up to 6mm <sup>2</sup> conductors)	<b>/GIS</b>	Geartray isolation switch (Gas coding becomes - Ex db eb mb op is q IIC)
<b>/25</b>	25mm cable entries	<b>/6K</b>	6000K (Cool Daylight) LED Strips
<b>/120</b>	Specific voltage (110-130V AC)	<b>/3H</b>	3 hour battery duration (15% output)
<b>/SSF</b>	Stainless steel front cover	<b>/MST</b>	Modular - Spring 'T' Ceiling
		<b>/MET</b>	Modular - Exposed 'T' Ceiling



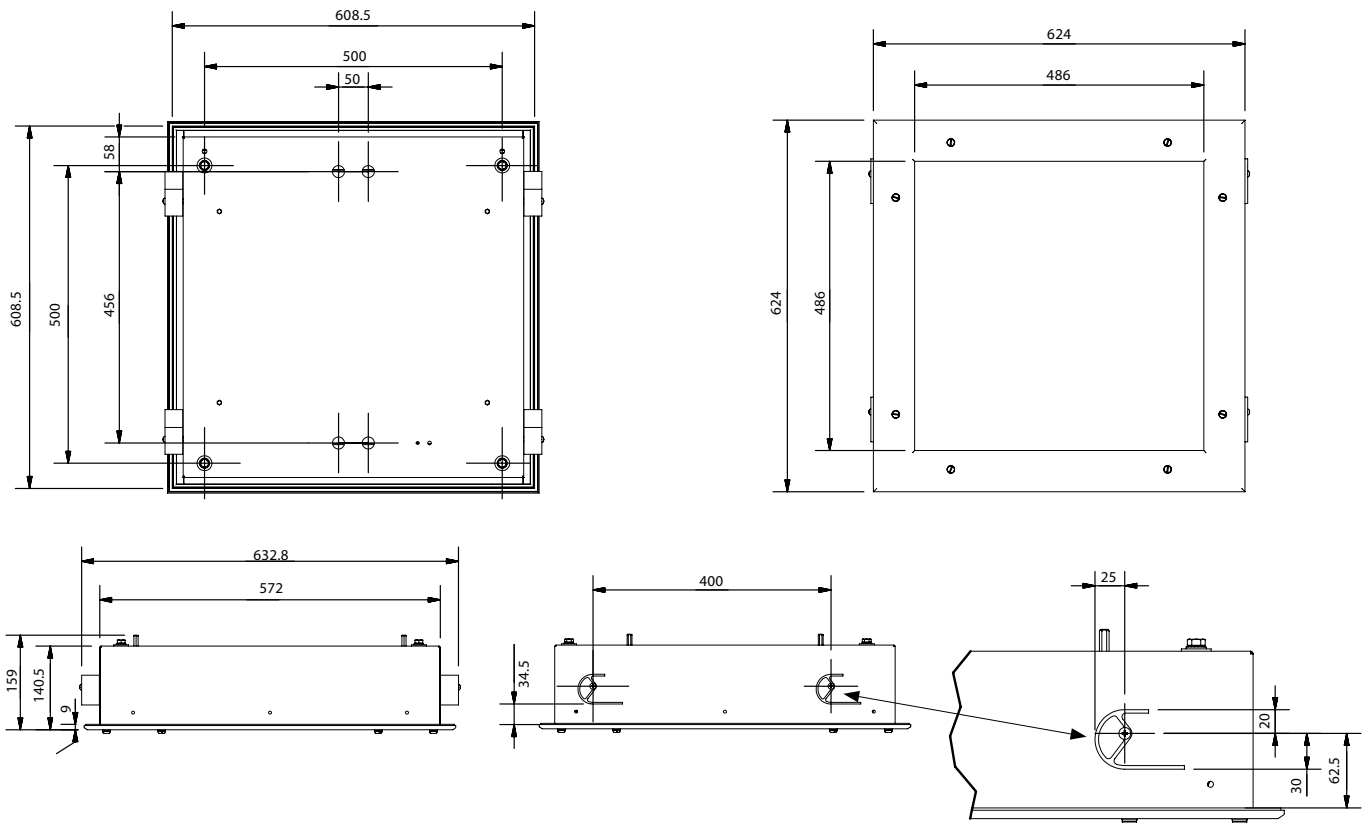
CUEE/03L/LE



CUEE/03L/LE/MST



CUEE/03L/LE/MET





# 238

Ex db LED High Bay

The innovative new **238 LED** is an efficient low energy wellglass designed for general purpose low and medium bay illumination. With an instant on output and 80,000 maintenance free hours (L70), it offers significant benefits over the conventional product. The luminaire has a side mounted increased safety terminal chamber eliminating the need for flameproof glands.

The wide ambient temperature range makes the 238 LED suitable for extreme environmental conditions.



### Mounting Options

Floodlight. Pendant. High Bay. Pole/Column.

## Standard Specification

238 Ex db LED Highbay

Type of Protection	Ex db eb (Flameproof, Increased Safety) Ex tb (Dust Protected Enclosure)
ATEX Classification	Group II Category 2 GD
Area Classification	Zone 1 and Zone 21 areas to EN 60079-10-1 and EN 60079-10-2 with installation to EN 60079-14 Gas Groups IIA and IIB
Certificate	EU Type Examination Certificate Baseefa16ATEX0086X IECEX Certificate of Conformity IECEX BAS16.0019X
Coding	Ex db eb op is IIB T5 Gb Ex op is tb IIIC T100°C Db IP6X
Enclosure	Aluminium Alloy LM6 to BS 1490 (AC44100) All fastenings A4 stainless steel. Toughened glass dome globe
Entry	2 x M20 cable entries
Termination	3 core 6mm <sup>2</sup> max. conductor with looping
Installation	Flush mounting bracket
Control Gear	Electronic Driver
Colour Temperature (CCT)	5000K
Colour Rendering Index (Ra)	>80
Maintenance	M10 SKT HD Screws
Ingress Protection	IP66 to EN 60529
Surge Protection	6kV
Electrical Supply	110-254V AC 50/60Hz

## Features

- ◆ Highly **Energy Efficient**
- ◆ **Ex e** terminal chamber
- ◆ **Instant on** - crisp white light output
- ◆ Installation to **gas groups IIA and IIB**
- ◆ Low temperature applications to **-40°C**
- ◆ **80,000** maintenance free hours

Std. Cat No.	Delivered Output	Power Consumption	Tclass	T °C (Dust)	Ambient °C	Weight
<b>238D/09L/LE</b>	8820 lm	70W	T5	100	-40 to +55	15.0kg

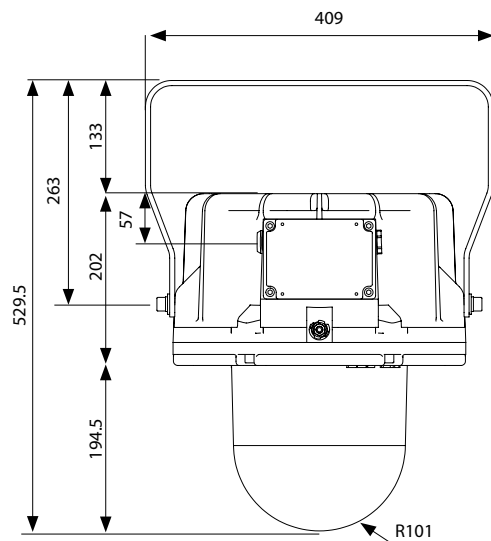
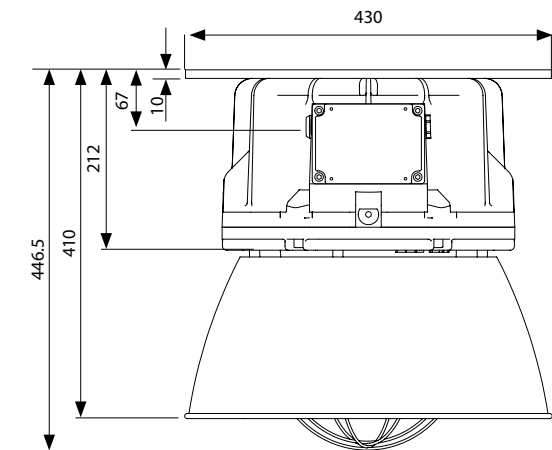
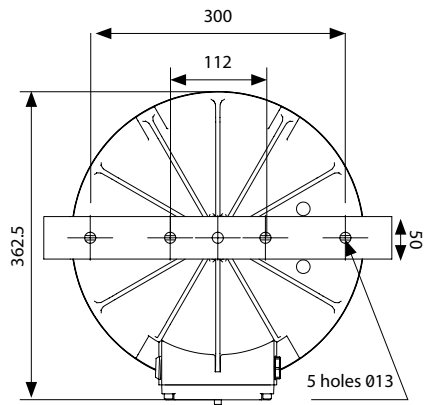
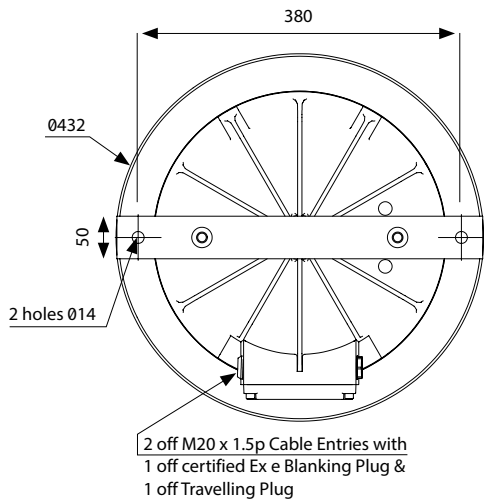
Options - Suffix to Catalogue No.

<b>/M25</b>	M25 Cable Entries	<b>/S</b>	Stirrup mounting bracket
<b>/P</b>	Marine grade polyester coating (RAL 7043) with PTFE	<b>/SRG*</b>	Surge Protection (10kV and 20kA)

\*When using additional surge protection, please note that the maximum ambient reduces to +50°C

### Accessories *Accessories should be ordered separately*

	Order Code
Pole Mounting Bracket Assembly - stirrup mounting version only (42-64mm diameter poles)	<b>S2400-0002</b>
Wire Guard	<b>S2381-0012</b>
External reflector	<b>S2380-0001</b>



**238D/09L/LE + S2380-0001 + S2381-0012**

**238D/09L/LE/S**



# SCOTIA<sub>EX</sub>

Ex d b LED Floodlight

The **ScotiaEx** is a low energy luminaire with an instant on output delivering 110,000 maintenance free hours at 25°C.

Its excellent temperature range of -50°C to +55°C makes it a global lighting solution providing high output lighting at extreme temperatures.



## Mounting Options

Floodlight. Pendant. High Bay. Pole/Column. Streetlighting.

## Standard Specification

Scotia<sub>EX</sub> Ex db LED Floodlight

Type of Protection	Ex db eb (Flameproof, Increased Safety) Ex tb (Dust Protected Enclosure)
ATEX Classification	Group II Category 2 GD
Area Classification	Zone 1 and Zone 21 areas to EN 60079-10-1 and EN 60079-10-2 with installation to EN 60079-14 (Gas Groups IIA, IIB and H2)
Certificate	EU Type Examination Certificate CML 14ATEX1086X IECEX Certificate of Conformity IECEX CML 14.0034X
Coding	Ex db eb IIB (+ H2 option) T* Gb Ex tb IIIC T** °C Db IP6X Refer to table for T rating and Ambient
Enclosure	Aluminium Alloy LM6
Entry	2 x M20 cable entries
Termination	3 core 6mm <sup>2</sup> max. conductor with looping
Installation	Stirrup mounting bracket
Control Gear	Electronic Driver
Colour Temperature (CCT)	5000K (Cool White)
Colour Rendering Index (Ra)	>70
Maintenance	M8 SKT HD Screws
Ingress Protection	IP66
Surge Protection	4kV line to line, 6kV line to earth
Electrical Supply	120-277V AC 50/60Hz 127-250V DC

## Features

- ◆ Highly **Energy Efficient**
- ◆ **Instant on** crisp white light output
- ◆ **Lower power consumption** than HID lamps
- ◆ Low temperature applications **to -50°C**
- ◆ **110,000 maintenance free hours** at 25°C



Std. Cat No.	Delivered Output	Power Consumption	Tclass	T °C (Dust)	Ambient °C	Weight
<b>SCOD/07L/LE</b>	7519 lm	90W	T6 T5	85 100	-20 to +40 -20 to +55	21kg
<b>SCOD/08L/LE</b>	8984 lm	105W	T6 T5	85 100	-20 to +40 -20 to +55	21kg
<b>SCOD/11L/LE</b>	10357 lm	110W	T6 T5	85 100	-20 to +40 -20 to +55	21kg
<b>SCOD/12L/LE</b>	11727 lm	125W	T6 T5	85 100	-20 to +40 -20 to +55	21kg

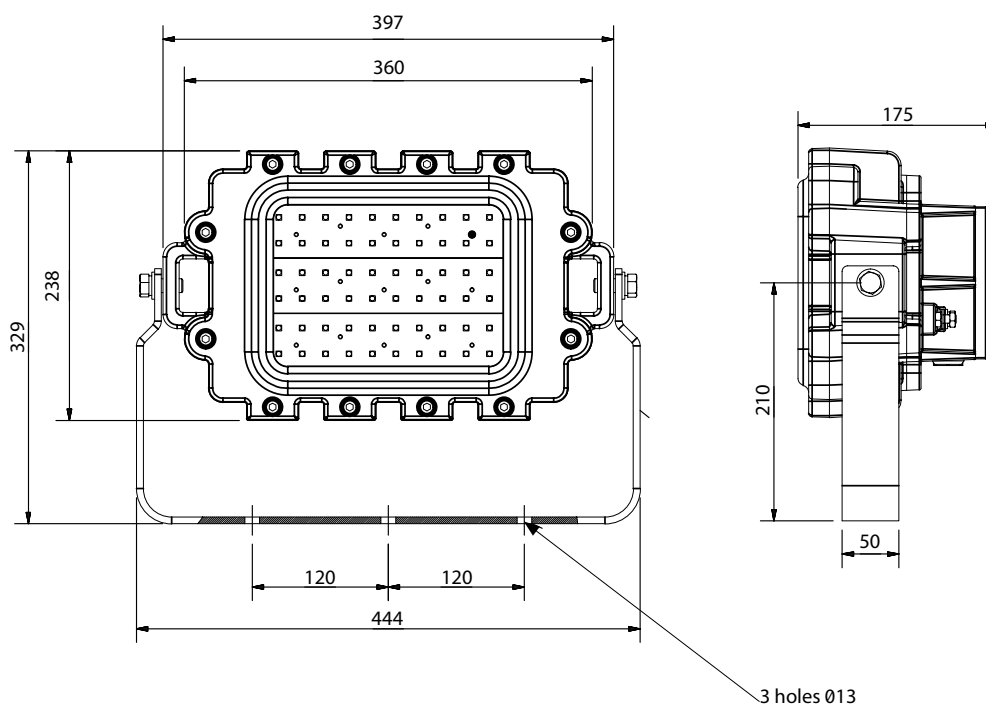
Options - Suffix to Catalogue No.

<b>/M25</b>	M25 Cable Entries	<b>/LT</b>	Low temperature to -50°C (Gas groups IIA and IIB only)
<b>/EP</b>	Painted	<b>/LT/H2</b>	Low temperature to -50°C (Gas groups IIB and H2*)
<b>/ADE</b>	Amber LEDs (07L or 08L only)	<b>/P</b>	Marine grade polyester coating (RAL 7043) with PTFE

\* H2 = Hydrogen

**Accessories** *Accessories should be ordered separately*

	Order Code
Wire Guard	<b>SSCO1-0001</b>
Anti Glare Shield	<b>SSCO1-0002</b>
Pole Mounting Bracket Assembly	<b>SEVO4-0001</b>
Crane Damper Bracket	<b>SSCO1-000009</b>





# SOLAS

Ex db LED Floodlight

The unique characteristics of the **Solas** offers a versatile luminaire with 100% output in emergency mode. Built in marine grade aluminium this robust luminaire is suitable for the harshest of global environments.

Utilising ultra bright LED's the Solas produces a more focused light well suited to illuminating safety critical areas in an emergency situation. A manually operated remote inhibition facility is available on all emergency versions. With a self contained battery, it can be used for backup emergency lighting in maintained or non-maintained modes.



## Mounting Options

Floodlight. Pendant. High Bay. Emergency. Pole/Column.

## Standard Specification

Solas Ex db LED Floodlight

Type of Protection	Ex db eb (Flameproof, Increased Safety) Ex tb (Dust Protected Enclosure)
ATEX Classification	Group II Category 2 GD
Area Classification	Zone 1 and Zone 2 areas to EN 60079-10 with installation to EN 60079-14
Certificate	EU Type Examination Certificate Baseefa11ATEX0090 IECEX Certificate of Conformity IECEX BAS11.0047
Coding	Ex db eb IIB T5 Gb Ex tb IIIC T100°C Db IP6X
Enclosure	Aluminium alloy LM6. Toughened glass window. All fastenings 316 stainless steel
Entry	2x M20 cable entries - Non-emergency: looping for 4mm <sup>2</sup> cable Emergency: single entry only for 4mm <sup>2</sup> cable
Termination	4 core 4mm <sup>2</sup> max.
Installation	Stirrup mounting bracket
Control Gear	Electronic Driver
Colour Temperature (CCT)	5000K (Cool White)
Colour Rendering Index (Ra)	>70
Maintenance	M10 SKT HD Screws
Battery	Internal Ni-Cd (21.6V) [Emergency only]
Emergency Duration	90 minutes (100% output) - Maintained as standard
Ingress Protection	IP66/67 to EN 60529
Surge Protection	4kV
Electrical Supply	220-254V AC 50/60Hz

## Features

- ◆ Highly **Energy Efficient**
- ◆ **Emergency** inhibition
- ◆ **Ex e** terminal chamber
- ◆ **Low** ambient temperatures
- ◆ Comparable with **100W HPS floodlight**
- ◆ **Non-Maintained** or **Maintained** modes
- ◆ No re-lamping required - **over 80,000 hours** continuous operation

Std. Cat No.	Delivered Output	Power Consumption	Tclass	T °C (Dust)	Ambient °C	Weight
<b>SOLD/034/LE</b>	6057 lm	62W	T5	100	-55 to +55	24.0kg
<b>SOLD/034/LE/EM</b>	6057 lm	73W	T5	100	-20 to +45	29.0kg

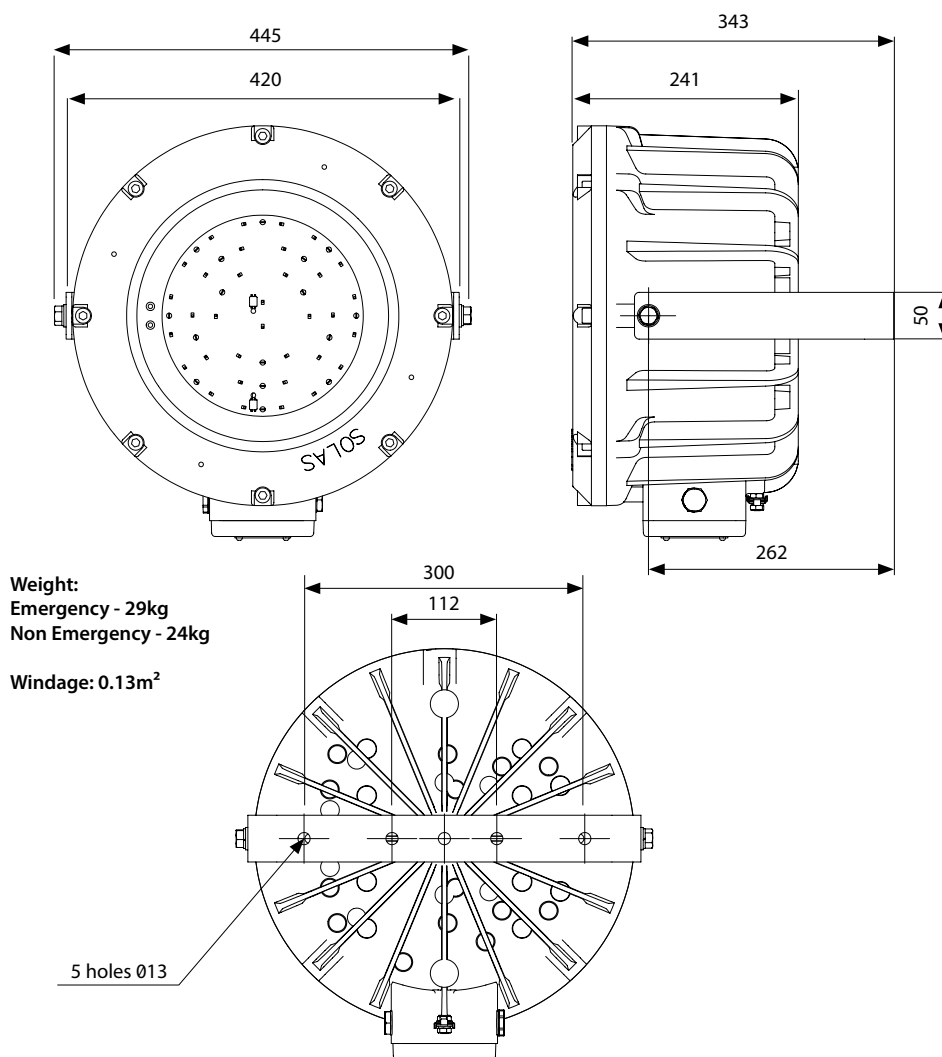
Options - Suffix to Catalogue No.

<b>/M25</b>	M25 Cable Entries	<b>/3H</b>	3 hour battery duration (50% output)
<b>/EP</b>	Painted	<b>/SC</b>	Screwed connections • Non emergency version: looping for up to 6mm <sup>2</sup> cable • Non maintained emergency: single entry only for up to 6mm <sup>2</sup> cable` • Maintained emergency version: screwed connections not available
<b>/N</b>	Narrow beam		
<b>/NM</b>	Non maintained Emergency (Ambient becomes -20°C to +55°C, with 11W power cons.)		
<b>/LT</b>	Low temperature to -55°C (Emergency)		
<b>/120</b>	110-130V AC Supply		

**Accessories** *Accessories should be ordered separately*

	Order Code
Wire Guard	<b>S2610-0005</b>
Pole Mounting Bracket (42-64mm diameter poles)	<b>S2400-0002</b>

Remote switches are available upon request, please contact Chalmit® sales.





# HDL106N

Ex e LED Floodlight

The **HDL106N** is a lightweight and compact Zone 1 floodlight which can be interlinked to provide an effective LED alternative to traditional HID floodlights, up to 250W.

With a variety of beam options, extensive ambient range and marine grade construction, this is a global lighting solution to suit any harsh and hazardous application.



## Mounting Options

Floodlight. Pendant. Bulkhead. High Bay. Pole/Column. Road Lighting.

## Standard Specification

HDL106N Ex e LED Floodlight

Type of Protection	Ex e mb (Increased Safety, Encapsulation) Ex tb (Dust Protected Enclosure)
ATEX Classification	Group II Category 2 GD
Area Classification	Zone 1 and 21 areas to EN 60079-10-1 and EN 60079-10-2 with installation to EN 60079-14
Certificate	EU Type Examination Certificate Sira 09ATEX5159X IECEX Certificate of Conformity IECEX SIR 09.0064X
Coding	Ex e mb IIC T4/T3 Gb Ex tb IIIC T103°C Db
Ambient °C	-20 to +50 (T4) / +59.5 (T3)
Enclosure	LM6 Aluminium with epoxy powder finish (RAL 7035) and Polycarbonate diffuser
Entry	2 x M20 cable entries
Termination	3 core 4mm <sup>2</sup> max. conductor with looping
Installation	Stirrup mounting bracket
Control Gear	Electronic Driver
Colour Temperature (CCT)	Refer to Ordering Matrix
Colour Rendering Index (Ra)	>70
Maintenance	M8 Hex Head and M6 SKT Head
Ingress Protection	IP66/67 to EN 60529
Surge Protection	4kV line to line, 6kV line to earth
Electrical Supply	Refer to Ordering Matrix

## Features

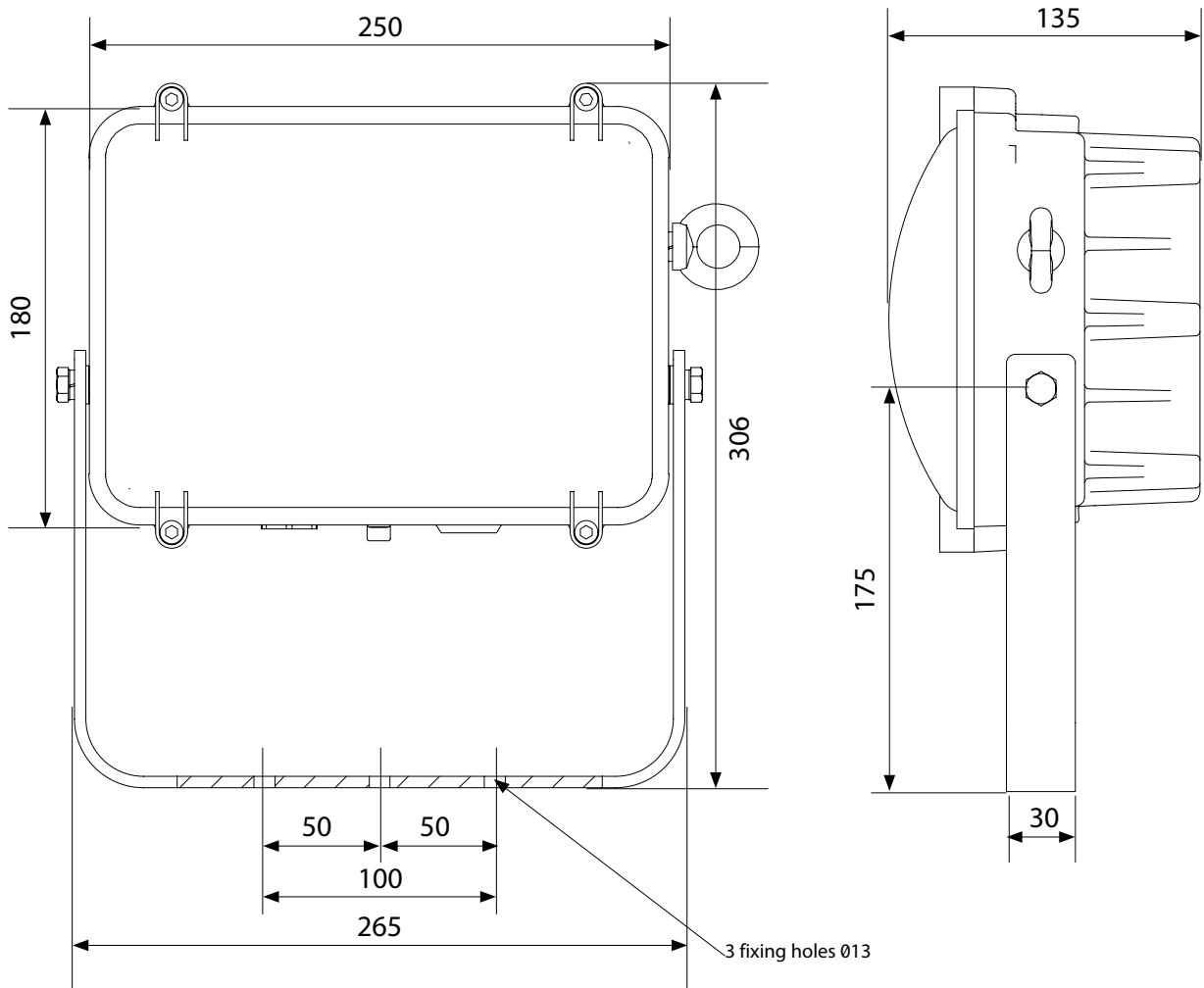
- ◆ **Instant on** crisp white light output
- ◆ Highly **Energy Efficient**
- ◆ **Modular design** allowing up to four interlinked luminaires, each providing a delivered output > 5500lm
- ◆ **>150,000 maintenance free hours** at 25°C (L70)
- ◆ **80,000 maintenance free hours** at 25°
- ◆ **Lower power consumption** than HID lamps
- ◆ **Lightweight** (6kg per module) lighting solution

HDL 106N						
Version*	Voltage	Beam Pattern***	Mount	Light (CCT)	Cable Entries	Other Options
<ul style="list-style-type: none"> <li>0 – 24 LEDs [26.5W]</li> <li>1 – 48 LEDs [52.5W]</li> <li>2 – 96 LEDs [103W]</li> <li>3 – 144 LEDs [155W]</li> <li>4 – 192 LEDs [206W]</li> </ul>	<ul style="list-style-type: none"> <li>H – 100-254V AC</li> <li>L – 18-54V AC/DC**</li> </ul>	<ul style="list-style-type: none"> <li>N – Narrow (6565lm)</li> <li>M – Medium (5882lm)</li> <li>W – Wide (5624lm)</li> <li>X – Extra Wide (5547lm)</li> </ul>	<ul style="list-style-type: none"> <li>H – Horizontal Mount [single unit]</li> <li>V – Vertical Mount [multiple units]</li> <li>C – Ceiling Mount</li> </ul>	<ul style="list-style-type: none"> <li>W – Cool White (5000K)</li> <li>X – Warm White (3000K)</li> </ul>	<ul style="list-style-type: none"> <li>0 – M20</li> <li>5 – M25</li> </ul>	<ul style="list-style-type: none"> <li>04 – RAL 7035 (Grey)</li> <li>FG – Glass front cover</li> <li>BP – Nickel plated brass plugs</li> </ul>
<p>*Power consumption provided in square brackets                  **Upper ambient becomes +55°C                  ***Delivered outputs based on single module 48LED version</p>				<p>Typical ordering reference: <b>HDL106N1HWHW004</b></p>		

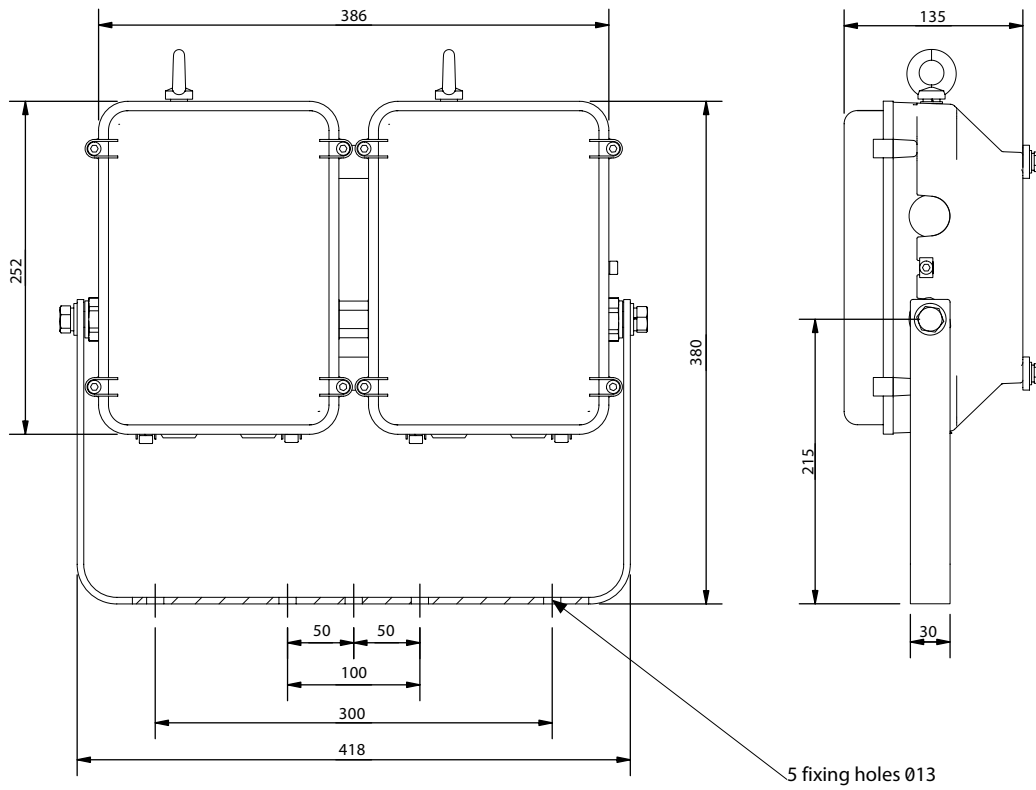
**Accessories** *Accessories should be ordered separately*

	Order Code
Crane Damper Bracket (96 LEDs Twin Module)	SHDL1-000002
Crane Damper Bracket (144 LEDs Triple Module)	SHDL1-000003

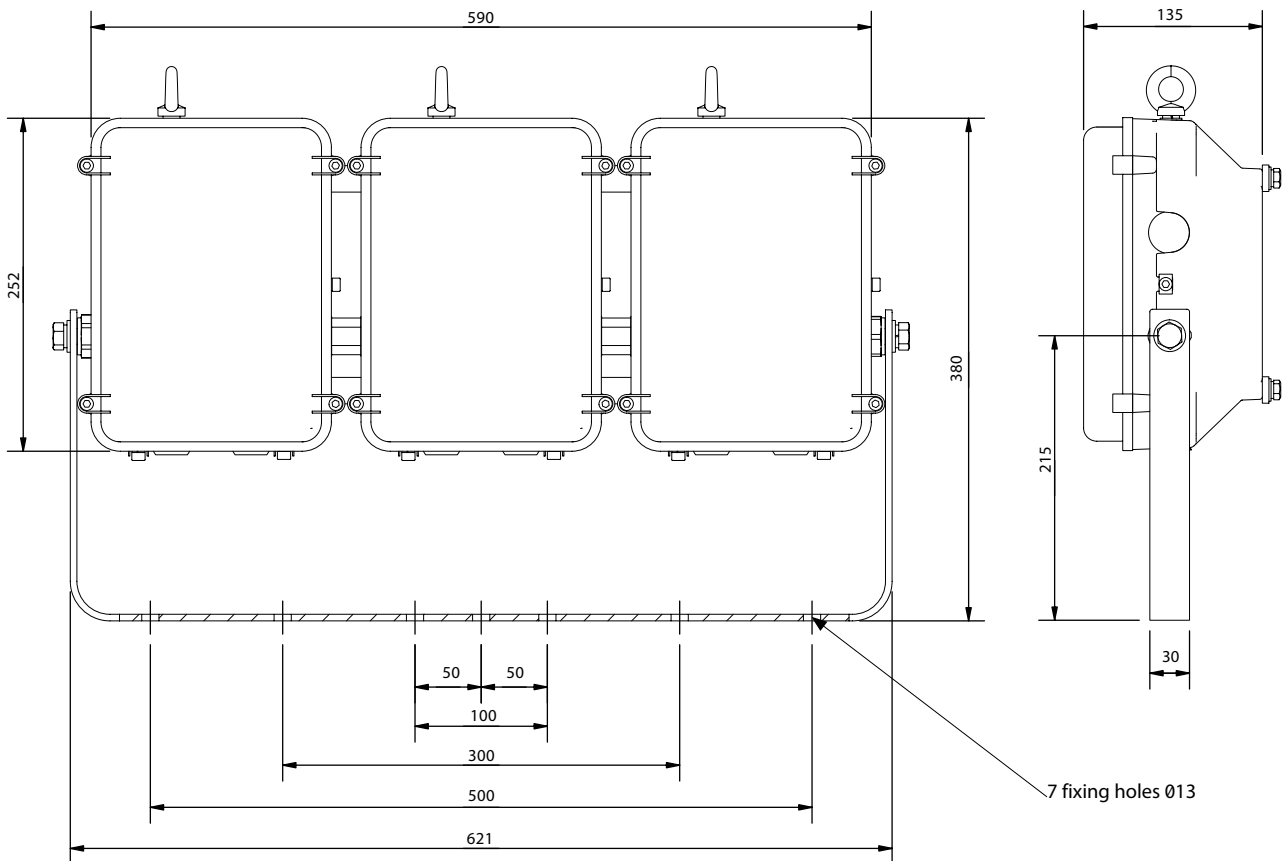
**Single unit (24/48 LEDs)**



### Double unit (96 LEDs)

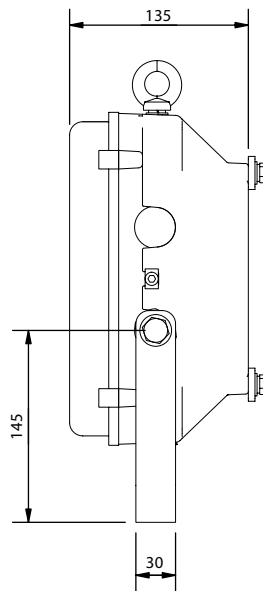
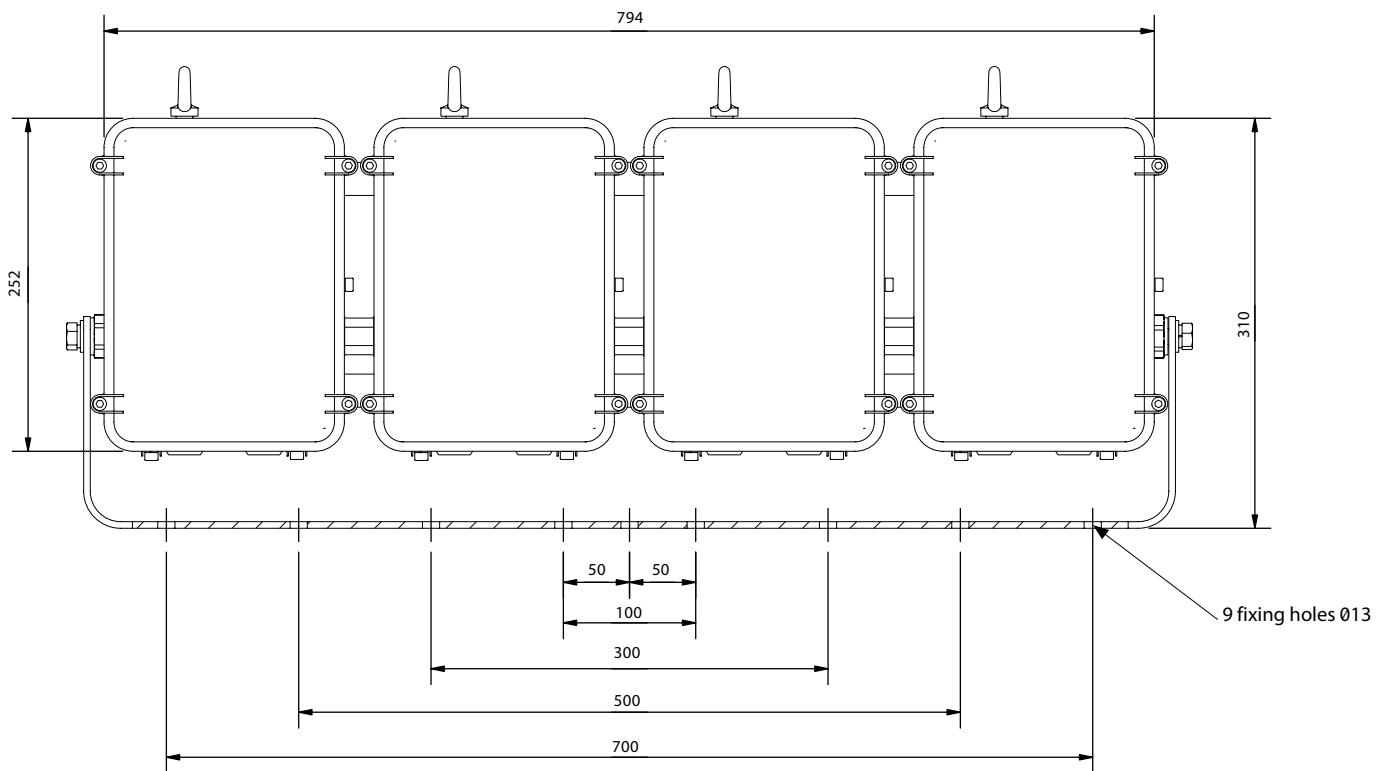


### Triple unit (144 LEDs)





### Quadruple unit (192 LEDs)





# HDL106NE

Ex e LED Floodlight

The **HDL106NE** is a distinctive Emergency LED luminaire allowing up to three modules interlinked, providing an effective and efficient alternative to traditional battery-backed luminaires.

With a variety of beam options available, and integral battery backup allowing for either 90 minutes or 3 hours battery duration, this is a flexible solution for any Emergency or Escape to Sea application.



## Mounting Options

Floodlight. Pendant. Bulkhead. High Bay. Pole/Column. Road Lighting.

## Standard Specification

HDL106NE Ex e LED Floodlight

Type of Protection	Ex e mb (Increased Safety, Encapsulation) Ex tb (Dust Protected Enclosure)
ATEX Classification	Group II Category 2 GD
Area Classification	Zone 1 and 21 areas to EN 60079-10-1 and EN 60079-10-2 with installation to EN 60079-14
Certificate	EU Type Examination Certificate Sira 09ATEX5159X IECEX Certificate of Conformity IECEX SIR 09.0064X
Coding	Ex e mb IIC T4 Gb Ex tb IIIC T103°C Db
Ambient °C	-20 to +50
Enclosure	LM6 Aluminium with epoxy powder finish (RAL 7035) and Polycarbonate diffuser
Entry	2 x M20 cable entries
Termination	3 core 4mm <sup>2</sup> max. conductor with looping
Installation	Stirrup mounting bracket
Control Gear	Electronic Driver
Colour Temperature (CCT)	Refer to Ordering Matrix
Colour Rendering Index (Ra)	>70
Maintenance	M8 Hex Head and M6 SKT Head
Emergency Duration	90mins (75%) or 3hrs (37.5%)
Ingress Protection	IP66/67 to EN 60529
Surge Protection	4kV line to line, 6kV line to earth
Electrical Supply	100-254V AC 50/60Hz

## Features

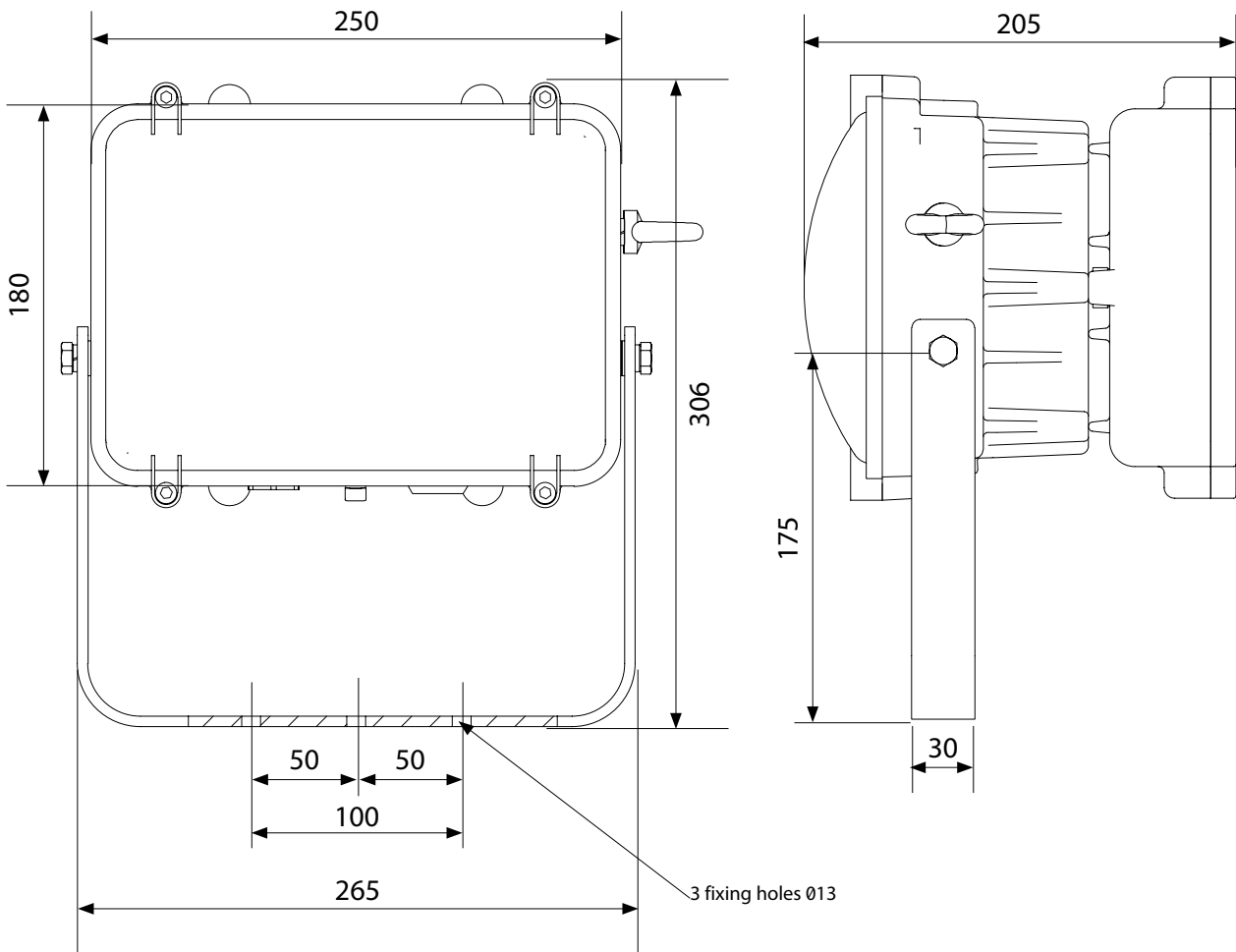
- ◆ **Instant on** crisp white light output
- ◆ Highly **Energy Efficient**
- ◆ **Modular design** allowing up to three interlinked luminaires, each providing a delivered output > 5500lm
- ◆ **>150,000 maintenance free hours** at 25°C (L70)
- ◆ **80,000 maintenance free hours** at 25°
- ◆ **Lower power consumption** than HID lamps
- ◆ **Lightweight** (9kg per module) lighting solution

HDL 106N				
Version*	Beam Pattern**	Light (CCT)	Cable Entries	Other Options
<b>E</b> – EM (48 LEDs) [62W]	<b>N</b> – Narrow (6565lm)	<b>W</b> – Cool White (5000K)	<b>0</b> – M20	<b>04</b> – RAL 7035 (Grey)
<b>ES</b> – EM/Std (96 LEDs) [114.5W]	<b>M</b> – Medium (5882lm)	<b>X</b> – Warm White (3000K)	<b>5</b> – M25	<b>FG</b> – Glass front cover
<b>EE</b> – EM/EM (96 LEDs) [124W]	<b>W</b> – Wide (5624lm)			<b>BP</b> – Nickel plated brass plugs
<b>SES</b> – Std/EM/Std (144 LEDs) [167W]	<b>X</b> – Extra Wide (5547lm)			
<b>ESE</b> – EM/Std/EM (144 LEDs) [176.5W]				
<b>EEE</b> – EM/EM/EM (144 LEDs) [186W]				

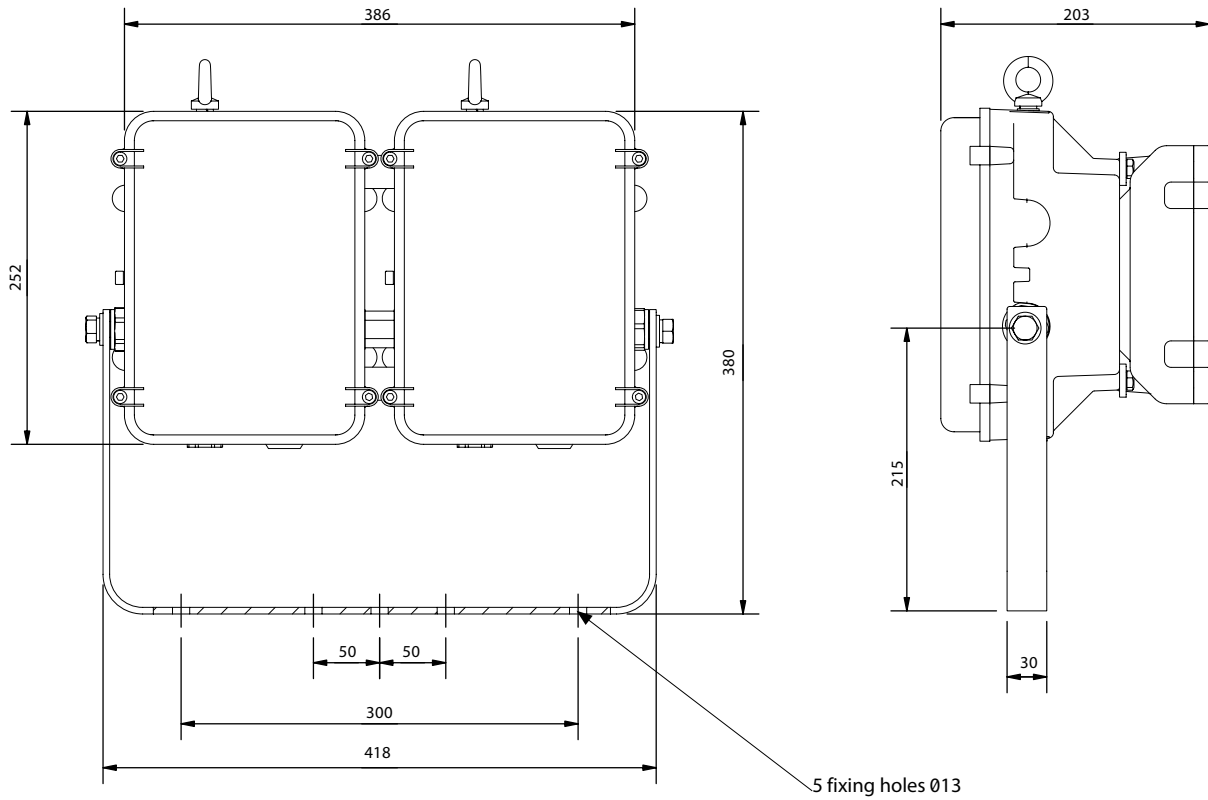
\*Power consumption provided in square brackets  
 \*\*Delivered outputs based on single module 48LED version

Typical ordering reference: **HDL106NESWX004**

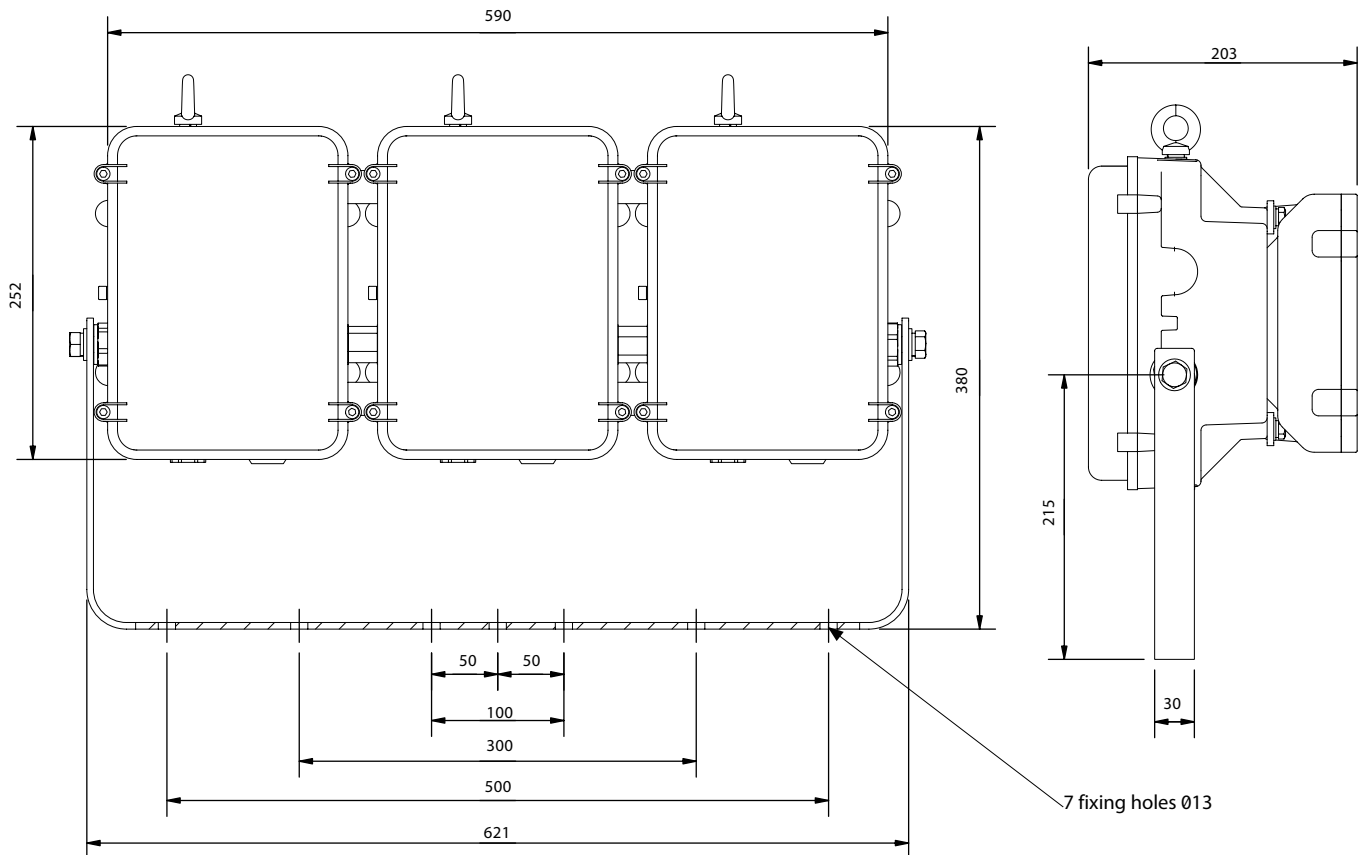
Single unit (48 LEDs)



### Double unit (96 LEDs)



### Triple unit (144 LEDs)





Harsh & Hazardous

# Market Leading Brands One Hubbell Solution



The Hubbell Harsh & Hazardous family brings together 7 best in class brands.  
For **Lighting, Cable Glands, Enclosures, Connectors, Control Stations,**  
**Telecommunications and more** choose **Hubbell Harsh & Hazardous.**



# NexLED

Ex e LED Bulkhead

The **NexLED** luminaire delivers an instant bright white light. Designed for low profile applications, the bulkhead can be mounted on walls, handrails and ceilings making it ideal for walkways or restricted height areas. Its excellent temperature range of -45°C to +55°C makes it a global lighting solution providing high quality lighting at extreme temperatures. Green LED option is also available.

The NexLED emergency option provides emergency battery backup to ensure continued operation in the event of a power outage. Benefits from the same features as the standard NexLED and is also available as a low temperature version for operation down to -45°C.



## Mounting Options

Ceiling. Wall. Recessed. Pole/Stanchion. Bulkhead.

## Standard Specification

NexLED Ex e LED Bulkhead

Type of Protection	Ex e mb (Increased Safety, Encapsulation) Ex tb (Dust Protected Enclosure)
ATEX Classification	Group II Category 2 GD
Area Classification	Zone 1 and 21 areas to EN 60079-10-1 and EN 60079-10-2 with installation to EN 60079-14
Certificate	EC Type Examination Certificate Baseefa04ATEX0245 IECEX Certificate of Conformity IECEX BAS09.0062
Coding	Ex e mb IIC T4 Gb Ex tb IIIC T95°C Db IP6X Ex de IIC T4 [24V version - ATEX only]**
Enclosure	Aluminium LM6 body, RAL-9005 black epoxy polyester paint finish with toughened glass and silicone gasket
Reflector	Brushed Aluminium
Entry	3 x M20 cable entries
Termination	3 core 4mm <sup>2</sup> max conductor with looping [4 core on emergency]
Installation	Surface mounted, 4 mounting holes located outside seal
Control Gear	Electronic Driver
Colour Temperature (CCT)	4000K (Neutral White)
Colour Rendering Index (Ra)	>65
Maintenance	M6 Slotted Screws
Battery	Internal Ni-Cd (4.8V 4Ah) [Emergency only]
Emergency Duration	801 version = 90 mins, 201 version = 3 hours (100% output)
Ingress Protection	IP66/67 to EN 60529
Surge Protection	4kV
Electrical Supply	110-254V AC/DC 50/60Hz

## Features

- ◆ Highly **Energy Efficient**
- ◆ **Very low** power consumption
- ◆ **Easy** to install and maintain
- ◆ Highly visible, **instant light**
- ◆ Installation to gas groups **IIA, IIB and IIC**
- ◆ **Ultra long life** no re-lamping required
- ◆ Over **60,000 hours\*** continuous operation

\* 60,000 hours expected at 40°C ambient (L70/B10)



Std. Cat No.	Delivered Output	Power Consumption	Tclass	T°C (Dust)	Ambient °C	Weight
<b>NELE/201/LE</b>	123 lm	5W	T4	95	-45 to +55	4.0kg
<b>NELE/401/LE/24**</b>	247 lm	8W	T4	95	-45 to +55	4.1kg
<b>NELE/801/LE</b>	464 lm	10W	T4	95	-45 to +55	4.1kg
<b>NELE/201/LE/EM</b>	123 lm	7W	T4	95	-20 to +55	4.7kg
<b>NELE/801/LE/EM</b>	464 lm	12W	T4	95	-20 to +55	4.7kg

Note: \*\*24V Supply is for ATEX only

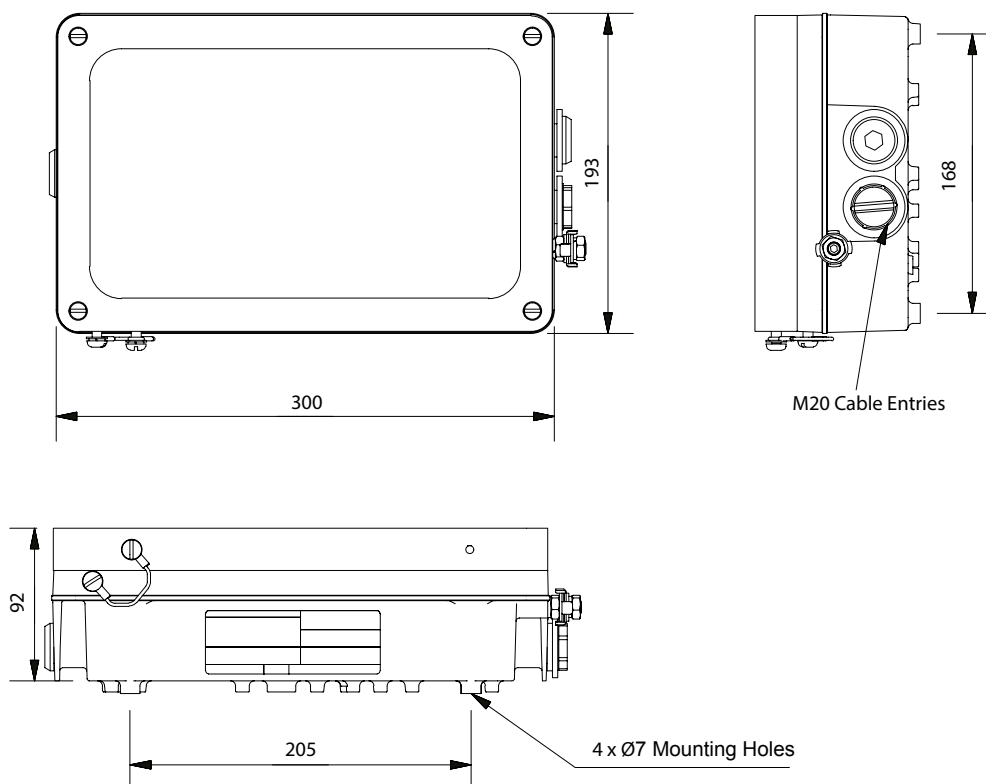
Options - Suffix to Catalogue No.

<b>/GDE</b>	Green LED's (should not be used in combination with Exit sign)	<b>/GIS</b>	Geartray isolation switch (Gas coding becomes - Ex d e mb IIC)
<b>/LT</b>	Low temperature to -45° [Emergency] (Gas coding becomes - Ex e ib mb IIC)		

**Accessories** *Accessories should be ordered separately*

	Order Code
Standard Exit Sign Kit (supplied with up, down, left and right labels*)	<b>SNEL1-0008</b>
Canadian Exit Sign Kit (supplied with up, down, left and right labels*)	<b>SNEL1-100272</b>

\* Refer to NexLED Exit Kit page for further information. Other signage options available upon request, please contact Chalmit Internal sales.





# NEVIS

Ex d e LED Bulkhead

The **Nevis LED** delivers an instant bright white light equivalent to a 70W HPS. Designed for low profile applications, the luminaire can be mounted on walls, handrails and ceilings as a wellglass making it ideal for walkways or restricted height areas.

A side mounted increased safety terminal chamber eliminates the need for barrier glands and allows for flush mounting with easy cable access. Its excellent temperature range of -50°C to +55°C makes it a global lighting solution providing high quality lighting at extreme temperatures.



## Mounting Options

Ceiling. Wall. High Bay. Pole/Stanchion. Bulkhead. Wellglass.

## Standard Specification

Nevis Ex de LED Bulkhead

Type of Protection	Ex d e (Flameproof, Increased Safety) Ex tD (Dust Protected Enclosure)
ATEX Classification	Group II Category 2 GD
Area Classification	Zone 1 and Zone 21 areas to EN 60079-10-1 and EN 60079-10-2 with installation to EN 60079-14 Gas Groups IIA and IIB
Certificate	EC Type Examination Certificate Baseefa08ATEX0178 IECEX Certificate of Conformity IECEX BAS08.0054
Coding	Ex d e IIB T6 Ex tD A21 T80°C IP6X
Enclosure	Aluminium alloy LM6 to BS 1490 (AC44100). All fastenings A4 stainless steel. Toughened glass dome cover.
Entry	2 x M20 cable entries
Termination	3 core 6mm <sup>2</sup> max. conductor with looping
Installation	Flush mounting bracket
Control Gear	Electronic Driver
Colour Temperature (CCT)	5650K (Cool White)
Colour Rendering Index (Ra)	>70
Maintenance	Access via hinged front glass cover assembly
Ingress Protection	IP66 to EN 60529
Surge Protection	4kV
Electrical Supply	100-277V AC 50/60 Hz 110-390V DC

## Features

- ◆ Highly **Energy Efficient**
- ◆ **Compact** construction
- ◆ **IP68** version available
- ◆ Installation to gas groups **IIA and IIB**
- ◆ **Lower power consumption** than HID lamps
- ◆ Low temperature applications **to -55°C**
- ◆ **100,000 maintenance free hours** at 25°C (L70)

Std. Cat No.	Delivered Output	Power Consumption	Tclass	T°C (Dust)	Ambient °C	Weight
<b>NEVD/052/LE</b>	4058 lm	49W	T6	80	-55 to +55	12.5kg

Options - Suffix to Catalogue No.

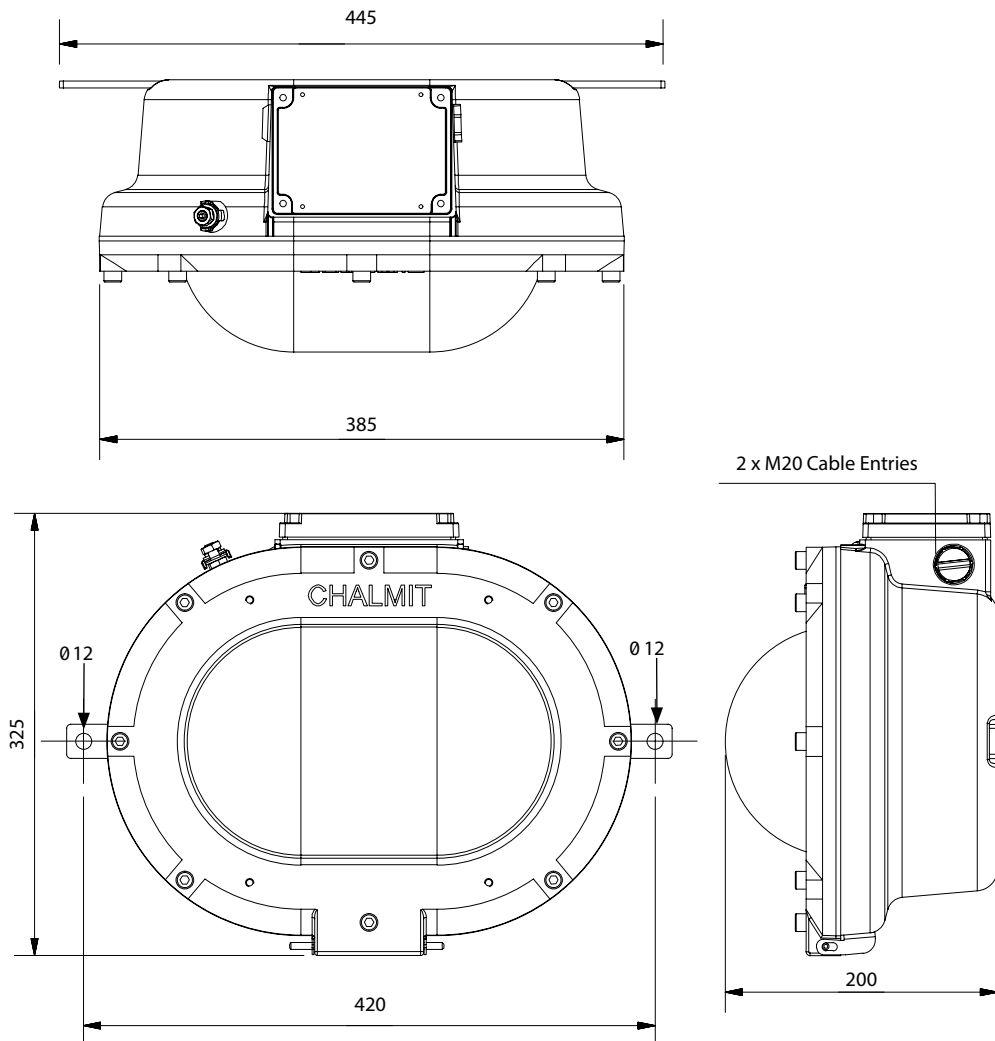
<b>/M25</b>	M25 Cable entries	<b>/P</b>	Marine grade polyester coating (RAL 7043) with PTFE
<b>/SP</b>	IP68 version (1m for 24 hours*) (Painted version with single entry and without looping)	<b>/3-4NPT</b>	3/4" NPT entries
<b>/EP</b>	Painted		

\* Other depths available

**Accessories** *Accessories should be ordered separately*

Order Code

Pole mounting bracket assembly (38-50mm diameter poles)	<b>SNEV1-0001</b>
Wire Guard	<b>SNEV1-0002</b>
Hand rail mounting bracket assembly	<b>SNEV4-0003</b>



# EXIT KITS

## NexLED

For Zone 1 and Industrial NexLED LED Bulkheads



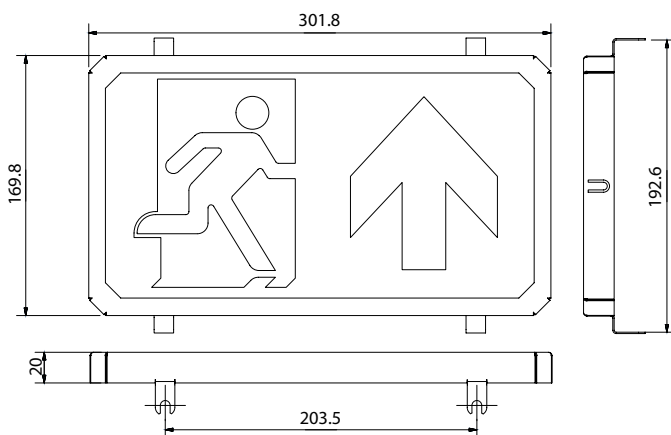
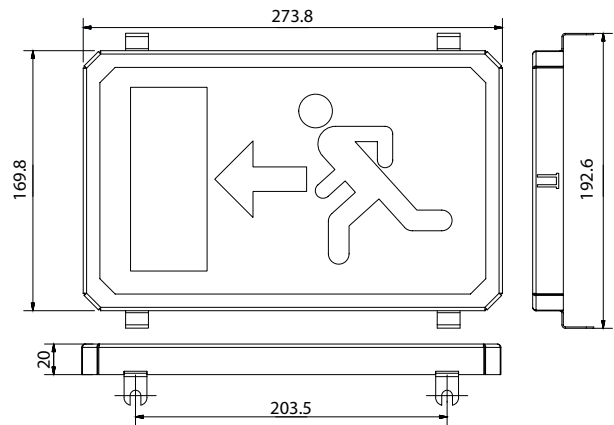
The **NexLED** bulkhead luminaire is commonly used to highlight escape routes and emergency exits.

To enable this feature we supply an additional exit sign kit which includes a black painted steel frame, a clear polycarbonate lens and a set of self adhesive decals which when fitted show the various directions of exit/escape.



### STANDARD EXIT KIT

Product Order Code **SNEL1-0008**



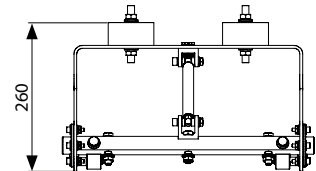
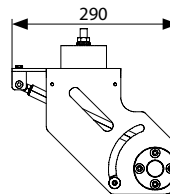
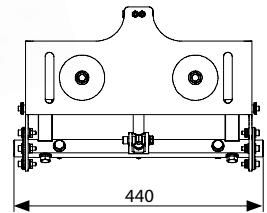
### CANADIAN EXIT KIT

Product Order Code **SNEL1-100272**



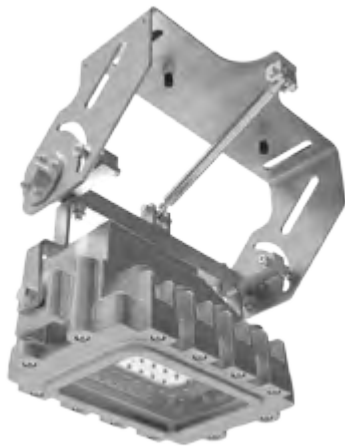
# CRANE DAMPER BRACKET

For Zone 1 LED Floodlights



The **Crane Damper bracket** has been specifically designed to accommodate the Scotia<sup>Ex</sup> and HDL106N LED floodlights, minimising the vibrations experienced when installed on moving offshore/marine cranes.

The bracket utilises a stainless steel gas filled damper which ensures that your luminaire is always facing down, wherever it is installed along the boom, and provides steady illumination over the desired target area.



## SCOTIA<sup>Ex</sup> WITH CRANE DAMPER BRACKET

For an Ex d solution, use the Scotia<sup>Ex</sup> floodlight which is available in outputs from 6000lm upto 12500lm.

Crane Damper Bracket		
Weight	Material	Installation
10.5kg	Stainless Steel 316	via anti-vibration mounts

Crane Damper Bracket Assembly	<b>SSCO1-000009</b>
-------------------------------	---------------------

Full order code example: SCOD/12L/LE + SSCO1-000009  
Please refer to the Scotia<sup>Ex</sup> datasheet at [www.chalmit.com](http://www.chalmit.com) for full luminaire specifications



## HDL106N WITH CRANE DAMPER BRACKET

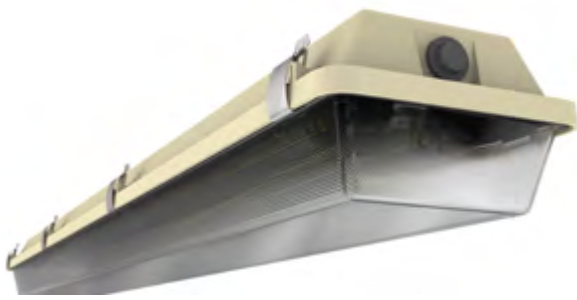
For an Ex e solution, use the twin or triple HDL106N floodlight which is available in a variety of beam distributions up to a maximum output of 19500lm.

Crane Damper Bracket		
Weight	Material	Installation
10.5kg	Stainless Steel 316	via anti-vibration mounts

Crane Damper Bracket Assembly (Twin)	<b>SHDL1-000002</b>
--------------------------------------	---------------------

Crane Damper Bracket Assembly (Triple)	<b>SHDL1-000003</b>
--	---------------------

Full order code example: HDL106N2HNW004 + SHDL1-000002  
Please refer to the HDL106N datasheet at [www.chalmit.com](http://www.chalmit.com) for full luminaire specifications



# STERLING III

Ex ec LED Linear

The **Sterling III** LED is a high quality, cost effective linear which realises further improvements over the Sterling II family, and features a lightweight, single geartray design for ease of installation and maintenance.

The luminaire also features electronic control gear, with optional 3hr battery back up, and is available with or without internal opal diffusers to suit any Industrial application.



## Mounting Options

Ceiling. Wall. Suspended. Pole.

## Standard Specification

Sterling III Ex ec LED Linear

Type of Protection	Ex ec (Increased Safety) Ex tc (Dust Protected Enclosure)
Protection Standards	EN/IEC 60079-0, EN/IEC 60079-7, EN/IEC 60079-31
ATEX Classification	Group II Category 3 GD
Area Classification	Zone 2 and Zone 22 areas to EN/IEC 60079-10-1 and EN/IEC 60079-10-2
Certificate	Type Examination Certificate CML16ATEX4101X IECEX Certificate of Conformity IECEX CML16.0044X
Coding	Ex ec IIC T4 Gc Ex tc IIIC T76°C Dc
Enclosure	GRP with prismatic polycarbonate diffuser and stainless steel retaining clips
Geartray	White coated zintec
Entry	2 x 20mm diameter clearance holes
Termination	4 core 4mm <sup>2</sup> max conductor with through wiring 16A rating
Installation	Two clearance holes for M8 fasteners located on rear of body, sealing washers provided
Control Gear	Electronic Driver
Colour Temperature (CCT)	4000K (Neutral White)
Colour Rendering Index (Ra)	>80
Maintenance	Access via diffuser secured by quick release stainless steel clips
Battery	Internal Ni-Cd (6V) [Emergency version only]
Emergency Duration	3 Hours (03L = 26%; 06L = 14%; 09L = 10%)
Ingress Protection	IP65 to EN 60529
Surge Protection	4kV line to line, 6kV line to earth
Electrical Supply	120-277V AC, 50/60Hz 127-300V DC 220-240V AC, 50/60Hz [Emergency version only]

## Features

- ◆ Highly **Energy Efficient**
- ◆ **Battery management** and automatic self test
- ◆ Lightweight and **slimline construction**
- ◆ **155,000 maintenance free hours** at 45°C (L70)



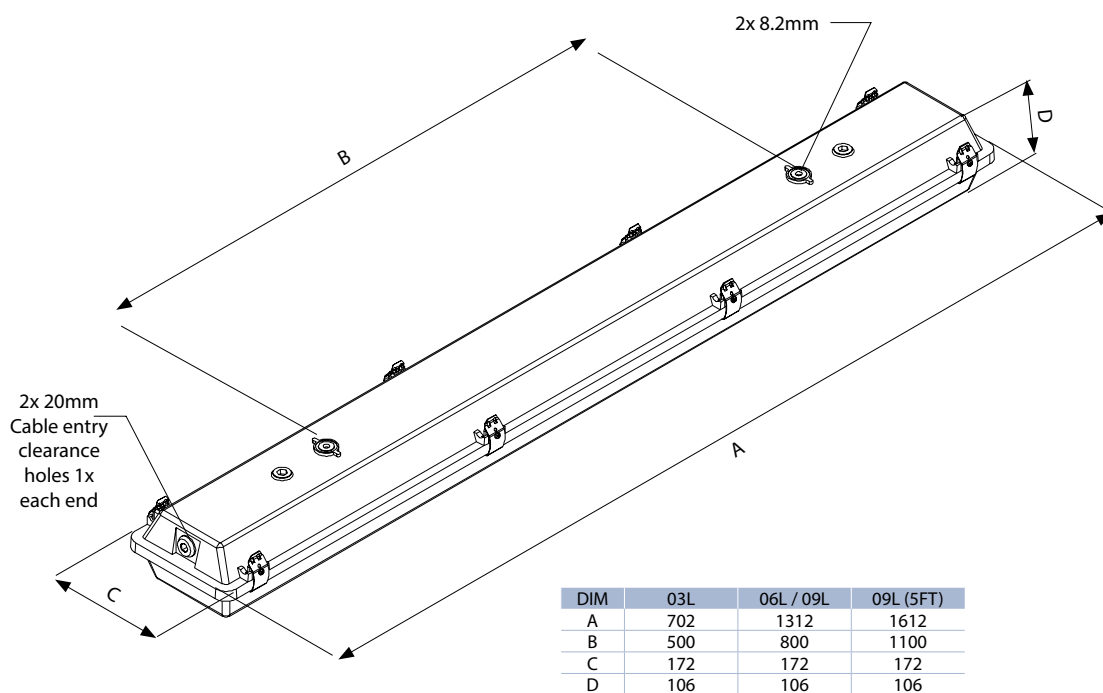
Std. Cat No.	Delivered Output	Power Consumption	Tclass	T °C (Dust)	Ambient °C	Weight
ST3N/03L/LE	3592 lm	24W	T4	76	-20 to +55	2.8kg
ST3N/06L/LE	6241 lm	44W	T4	76	-20 to +50	4.4kg
ST3N/09L/LE	8798 lm	64W	T4	76	-20 to +45	5.0kg
ST3N/03L/LE/EM	3592 lm	26W	T4	76	-20 to +45	3.8kg
ST3N/06L/LE/EM	6241 lm	48W	T4	76	-20 to +45	5.2kg
ST3N/09L/LE/EM	8798 lm	68W	T4	76	-20 to +45	5.8kg

Options - Suffix to Catalogue No.

<b>/OD</b>	Internal Opal diffusers (approx. 20% reduction in output)	<b>/NST</b>	Non self test inverter (EM only)
<b>/DM</b>	DALI Dimmable driver	<b>/5K</b>	5000K (Cool White) LED Strips
<b>/5FT</b>	5ft body (09L model only)		

**Accessories** *Accessories should be ordered separately*

	Order Code
Pole mounting bracket assembly (38-42mm diameter poles)	SPOL4-100004
Pole mounting bracket assembly (48-52mm diameter poles)	SPOL4-100005
Pole mounting bracket assembly (58-62mm diameter poles)	SPOL4-100006
Hook type ceiling bracket assembly	S3004-100003
Ceiling bracket assembly	S3004-100001
Flush wall mounting bracket assembly (30° luminaire rotation)	S3004-100004
03L wall mounting outreach bracket (use with SPOL4-100004)	NPRO4-0008
06L/09L wall mounting outreach bracket (use with SPOL4-100004)	NPRO4-0012
Internal Opal Diffuser Strips (03L)	S3004-100005
Internal Opal Diffuser Strips (06L & 09L)	S3004-100006





# ECLIPSE II

Ex nA LED Highbay

The **Eclipse II** LED has been designed to make installation quick and simple. The lamp and gear chambers are separated for easy maintenance and require no special cable glands.

The luminaire also features a swing barrel nut system. This allows prior installation and wiring of the mounting base without the need to support the body and lamps. This unique design saves on both time and labour costs.



## Mounting Options

Floodlight. Pendant. Pole/Column. Wall. Medium Bay. Low Bay.

## Standard Specification

Eclipse II Ex nA LED Highbay

Type of Protection	Ex nA (Non Sparking) Ex tc (Dust Protected Enclosure)
ATEX Classification	Group II Category 3 GD
Area Classification	Zone 2 and Zone 22 areas to EN 60079-10-1 and EN 60079-10-2 with installation to EN60079-14
Certificate	Type Examination Certificate Baseefa04ATEX0393X IECEX Certificate of Conformity IECEX BAS 05.0053X
Coding	Ex nA IIC T4 Gc Ex tc IIIC T90°C Dc IP66 [with /D option]
Enclosure	Painted aluminium body (RAL 7008) with glass globe
Entry	Up to 4 x M20 cable entries
Termination	3 core 6mm <sup>2</sup> max. conductor with looping
Installation	Surface mounted
Control Gear	Electronic Driver
Colour Temperature (CCT)	5000K (Cool White)
Colour Rendering Index (Ra)	>70
Maintenance	Barrel nut fastener
Ingress Protection	IP66
Surge Protection	4kV line to line, 6kV line to earth
Electrical Supply	120-254V AC 50/60Hz

## Features

- ◆ Highly **Energy Efficient**
- ◆ **Instant on** crisp white light output
- ◆ **Lower power consumption** than HID lamps
- ◆ Low temperature applications **to -40°C**
- ◆ **120,000 maintenance free hours** at 25°C

Std. Cat No.	Delivered Output	Power Consumption	Tclass	T °C (Dust)	Ambient °C	Weight
<b>EC2N/06L/LE</b>	5842 lm	55W	T4	90	-40 to +55	11.5kg
<b>EC2N/09L/LE</b>	8525 lm	80W	T4	90	-40 to +55	12.0kg
<b>EC2N/12L/LE*</b>	12220 lm	100W	T4	90	-40 to +55	12.0kg
<b>EC2N/16L/LE</b>	15630 lm	140W	T4	90	-40 to +40	12.0kg

Options - Suffix to Catalogue No.

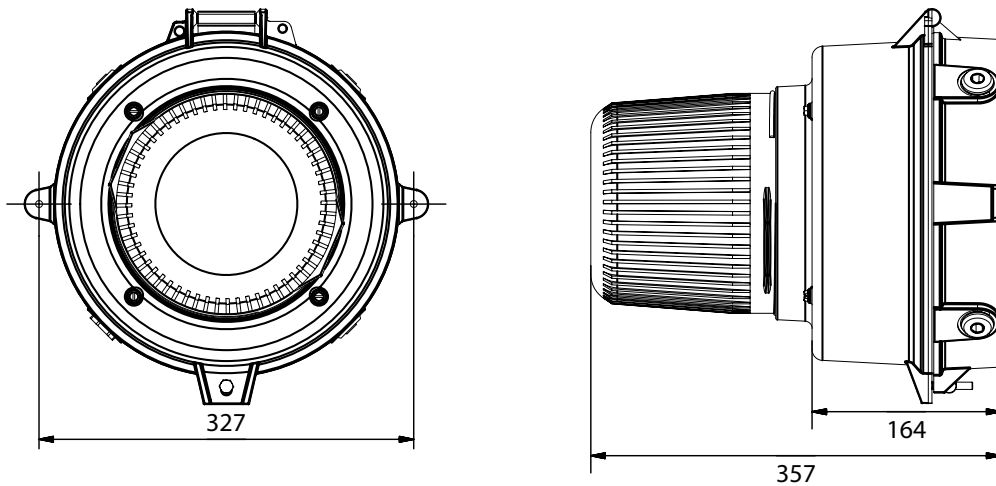
<b>/M25</b>	M25 Cable entries	<b>/SRG</b>	Surge Protection (20kA and 10kV)*
<b>/WM</b>	Wall mounted version (with 2xM20 and 2xM25 entries)	<b>/ST</b>	Stanchion mounted version
<b>/PE</b>	Pendant mounted version (for M25 conduit)	<b>/ER</b>	Sealed spun reflector
<b>/D</b>	Zone 22 dust applications (with external earth plug)		

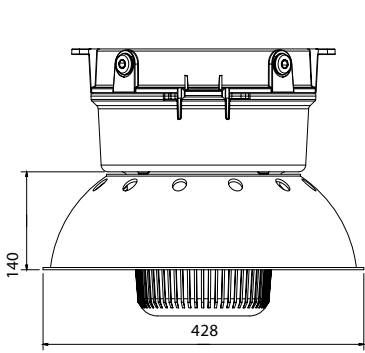
\* When using additional surge protection with EC2N/12L/LE please note that the maximum ambient reduces to +40°C.

**Accessories** *Accessories should be ordered separately*

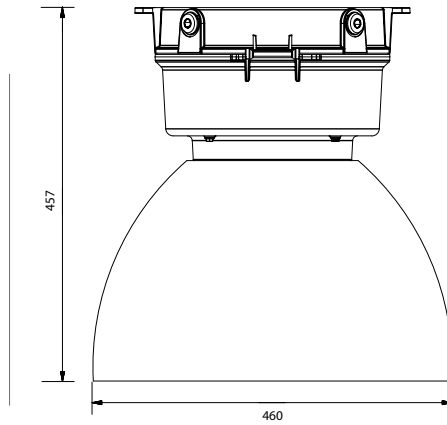
	Order Code
Wire guard for low wattage glass globe	<b>E0850-0042</b>
Wire guard for enclosed reflector	<b>E0850-0043</b>
Dome reflector	<b>SEC20-0001</b>
30° angled reflector	<b>SEC20-0002</b>

EC2N/\*\*L/LE

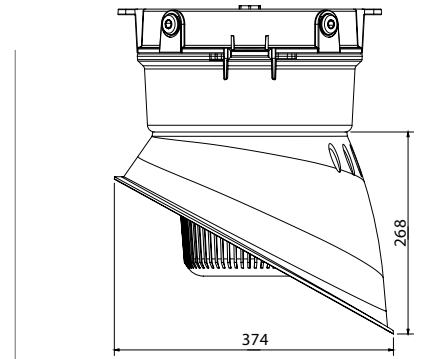




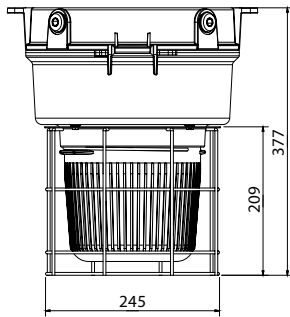
EC2N/\*\*L/LE + SEC20-0001



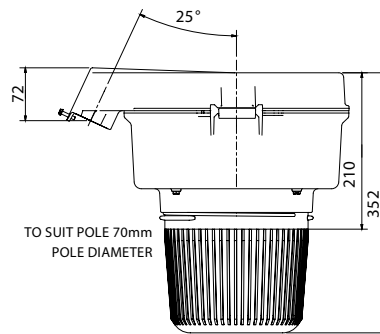
EC2N/\*\*L/LE/ER



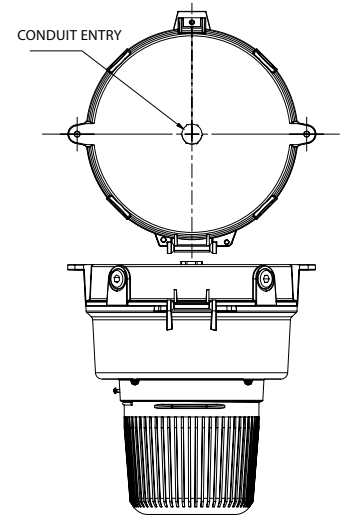
EC2N/\*\*L/LE + SEC20-0002



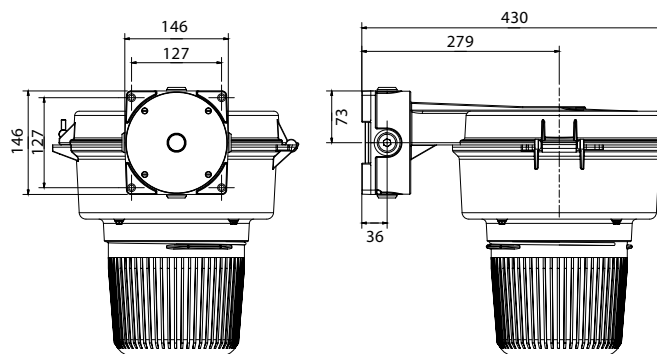
EC2N/\*\*L/LE + E0850-0042



EC2N/\*\*L/LE/ST



EC2N/\*\*L/LE/PE



EC2N/\*\*L/LE/WM



# PROTECTA III

Ex e LED LUMINAIRE



- Highly energy efficient
- Full length, easy access diffuser clamp
- Screwless mains terminals
- 120,000 maintenance free hours @ 25°C
- DTS-01 deluge tested
- Retrofit geartray available

**Market leading product design  
incorporating the latest LED technology.**



Follow us

[www.chalmit.com](http://www.chalmit.com)

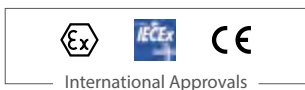




# ECLIPSE JUNIOR

Ex ec LED Lowbay

The **Eclipse Junior** LED offers all of the power of our popular Eclipse II Wellglass with a 40% reduction in weight. Featuring the latest in LED optics, the Eclipse Jr is a highly energy efficient luminaire for use in Zones 2 and 22.



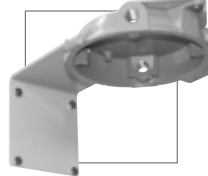
## Mounting Options

Pendant. Pole/Column. Wall. Medium Bay. Low Bay.

## Standard Specification

Eclipse Junior Ex ec LED Lowbay

Type of Protection	Ex ec (Increased Safety) Ex tc (Dust Protected Enclosure)
ATEX Classification	Group II Category 3 GD
Area Classification	Zone 2 and Zone 22 areas to EN 60079-10-1 and EN 60079-10-2 with installation to EN60079-14
Certificate	Type Examination Certificate Baseefa18ATEX0062X IECEX Certificate of Conformity IECEX BAS 18.0043X
Coding	Ex ec IIC Gc Ex tc IIIC Dc [with /D option] Refer to table for T Rating and Ambient
Enclosure	Painted aluminium body (smoked grey) with glass globe
Entry	2 x M20 cable entries
Termination	3 core 6mm <sup>2</sup> max. conductor with looping
Installation	Surface mounted
Control Gear	Electronic Driver
Colour Temperature (CCT)	5000K (Cool White)
Colour Rendering Index (Ra)	≥70
Maintenance	Barrel nut fastener
Ingress Protection	IP66
Surge Protection	4kV line to line, 6kV line to earth
Electrical Supply	110-277V AC 50/60Hz



Dome Reflector • Angled Reflector • Stanchion Mount • Wall Mount • Wire Guard

## Features

- ◆ Highly **Energy Efficient**
- ◆ **40% power savings** compared to equivalent 70W HPS lamps
- ◆ **Unique LED optic** providing upright
- ◆ **40% lighter** than our Eclipse II alternative
- ◆ **Easy one bolt access** for installation
- ◆ **>100,000 maintenance free hours** at 25°C

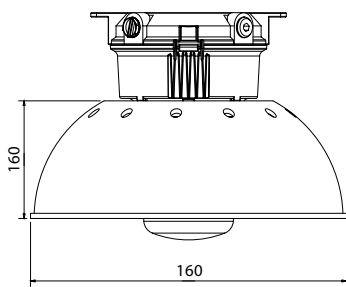
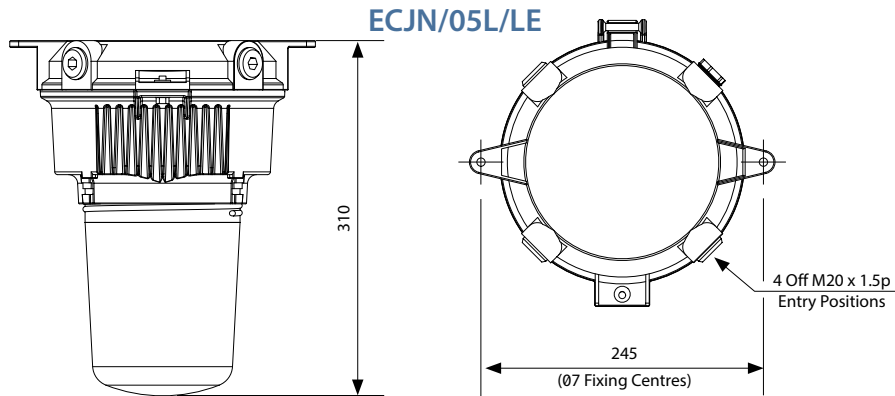
Std. Cat No.	Delivered Output	Power Consumption	Tclass	T°C (Dust)	Ambient °C	Weight
<b>ECJN/05L/LE</b>	4827 lm	45W	T6 T5	90	-40 to +40 -40 to +55	5.0kg

Options - Suffix to Catalogue No.

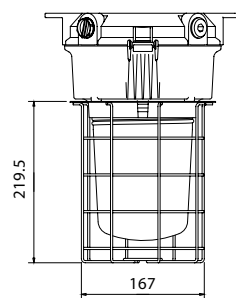
<b>/PE</b>	Pendant mount version (for M25 conduit)	<b>/WM</b>	Wall mount version
<b>/ST</b>	Stanchion mount version (to suit pole threaded 1¼ NPT)	<b>/4K</b>	4000K (Neutral White) LED Array
<b>/D</b>	Zone 22 dust applications (with external earth plug)	<b>/3K</b>	3000K (Warm White) LED Array

### Accessories *Accessories should be ordered separately*

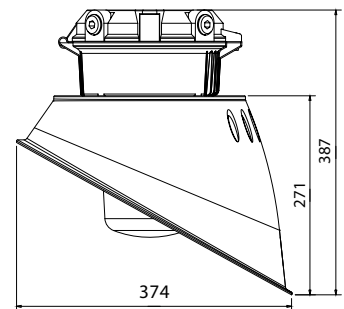
	Order Code
Wire guard (can be used with reflectors)	<b>E0850-0048</b>
Dome reflector	<b>SECL0-0001</b>
30° Angled reflector	<b>SECL0-0002</b>



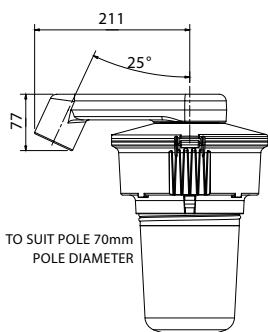
**ECJN/05L/LE + SECL0-0001**



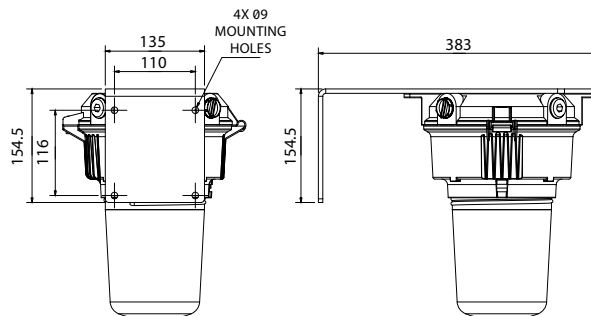
**ECJN/05L/LE + E0850-0048**



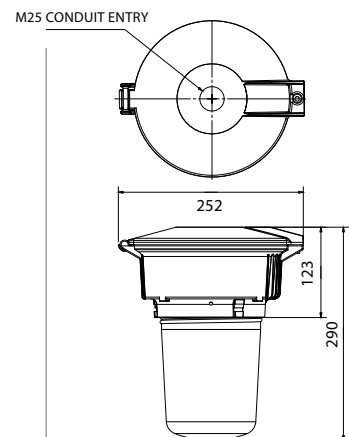
**ECJN/05L/LE + SECL0-0002**



**ECJN/05L/LE/ST**



**ECJN/05L/LE/WM**



**ECJN/05L/LE/PE**





# ARRAN

Ex nA LED Floodlight

Sleek and highly efficient this reliable compact luminaire delivers a uniform photometric distribution and powerful performance of 130,000 maintenance free hours at 25°C.

Its excellent temperature range of -50°C to +55°C makes it a global lighting solution providing high output lighting at extreme temperatures. Offering an easily maintainable driver and LED strip, the **Arran** provides all the advantages of an LED luminaire with the benefit of extending its serviceable life.



## Mounting Options

Floodlight. Pendant. Pole/Column. High Bay.

## Standard Specification

Arran Ex nA LED Floodlight

Type of Protection	Ex nA (Non Sparking) Ex tb (Dust Protected Enclosure)
ATEX Classification	Group II Category 3 GD Group II Category 2 D
Area Classification	Zone 2 and Zone 22 areas to EN 60079-10-1 and EN 60079-10-2 with installation to EN60079-14
Certificate	Type Examination Certificate CML 14ATEX4106 [Zone 2/22] EU Type Examination Certificate CML 14ATEX3107 [Zone 21] IECEX Certificate of Conformity IECEX CML 14.0044
Coding	Ex nA IIC Gc Ex tc IIIC Dc Ex tb IIIC Db IP6X Refer to table for T Rating and Ambient
Enclosure	Aluminium alloy (6063 T6) with RAL 7040 epoxy powder finish
Entry	2 x M20 cable entries
Termination	3 core 6mm <sup>2</sup> max. conductor with looping
Installation	Stirrup mounting bracket
Control Gear	Electronic Driver
Colour Temperature (CCT)	5000K (Cool White)
Colour Rendering Index (Ra)	>70
Maintenance	M5 Slotted Screws
Ingress Protection	IP66
Surge Protection	4kV line to line, 6kV line to earth
Electrical Supply	120-277V AC 50/60Hz 127-250V DC

## Features

- ◆ Highly **Energy Efficient**
- ◆ **Instant on** crisp white light output
- ◆ **Lower power consumption** than HID lamps
- ◆ Low temperature applications **to -50°C**
- ◆ **130,000 maintenance free hours** at 25°C

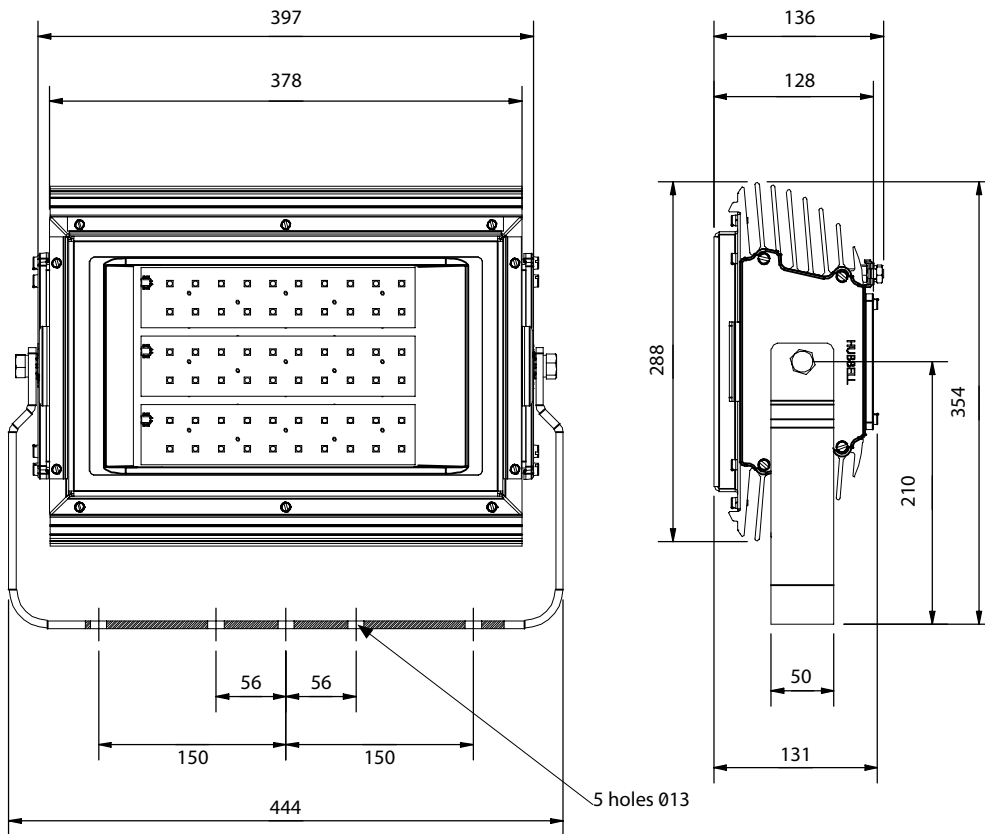
Std. Cat No.	Delivered Output	Power Consumption	Tclass	T °C (Dust)	Ambient °C	Weight
<b>ARRN/06L/LE</b>	7321 lm	54W	T6 T5	85 100	-50 to +40 -50 to +55	13kg
<b>ARRN/10L/LE</b>	9843 lm	74W	T6 T5	85 100	-50 to +40 -50 to +55	13kg
<b>ARRN/11L/LE</b>	11752 lm	88W	T6 T5	85 100	-50 to +40 -50 to +55	13kg
<b>ARRN/15L/LE</b>	17273 lm	130W	T6 T5	85 100	-50 to +40 -50 to +55	13kg

Options - Suffix to Catalogue No.

<b>/M25</b>	M25 Cable entries	<b>/DM</b>	DALI Dimmable Driver (15L T rating reduces to T5 at +40°C)
-------------	-------------------	------------	--

### Accessories *Accessories should be ordered separately*

	Order Code
Wire Guard	<b>SARR1-0001</b>
Anti Glare Shield	<b>SARR1-0002</b>
Pole Mounting Bracket Assembly	<b>S2400-0002</b>





# ARRAN H/O

Ex ec LED Floodlight

The powerful Zone 2 **Arran High Output** floodlight delivers a uniform photometric distribution and impressive performance of 90,000 maintenance free hours at 25°C.

An excellent temperature range of -50°C up to +55°C makes the Arran H/O a global lighting solution, whilst providing a comparable output to common high wattage HID floodlights. The great versatility of this luminaire allows a variety of mounting options covering a wide range of Industrial installations.



## Mounting Options

Floodlight. Pendant. Pole/Column. High Bay.

## Standard Specification

Arran High Output Ex ec LED Floodlight

Type of Protection	Ex ec (Increased Safety) Ex tc (Dust Protected Enclosure)
ATEX Classification	Group II Category 3 GD
Area Classification	Zone 2 and Zone 22 areas to EN 60079-10-1 and EN 60079-10-2 with installation to EN60079-14
Certificate	Type Examination Certificate CML 17ATEX4044X IECEX Certificate of Conformity IECEX CML 17.0026X
Coding	Ex ec IICT4 Gc Ex tc IIIC T135°C Dc
Enclosure	Aluminium alloy (1050A H14) with RAL 7040 epoxy powder finish
Entry	2 x 20mm clearance holes
Termination	3 core 6mm <sup>2</sup> max. conductor with looping
Installation	Stirrup mounting bracket
Control Gear	Electronic Driver
Colour Temperature (CCT)	5000K (Cool White)
Colour Rendering Index (Ra)	>70
Maintenance	M5 Slotted Screws
Ingress Protection	IP66
Surge Protection	4kV line to line, 6kV line to earth
Electrical Supply	120-277V AC 50/60Hz 140-273V DC

## Features

- ◆ Highly **Energy Efficient**
- ◆ **Instant on** crisp white light output
- ◆ **Lower power consumption** than HID lamps
- ◆ Low temperature applications **to -50°C**
- ◆ **90,000 maintenance free hours** at 25°C

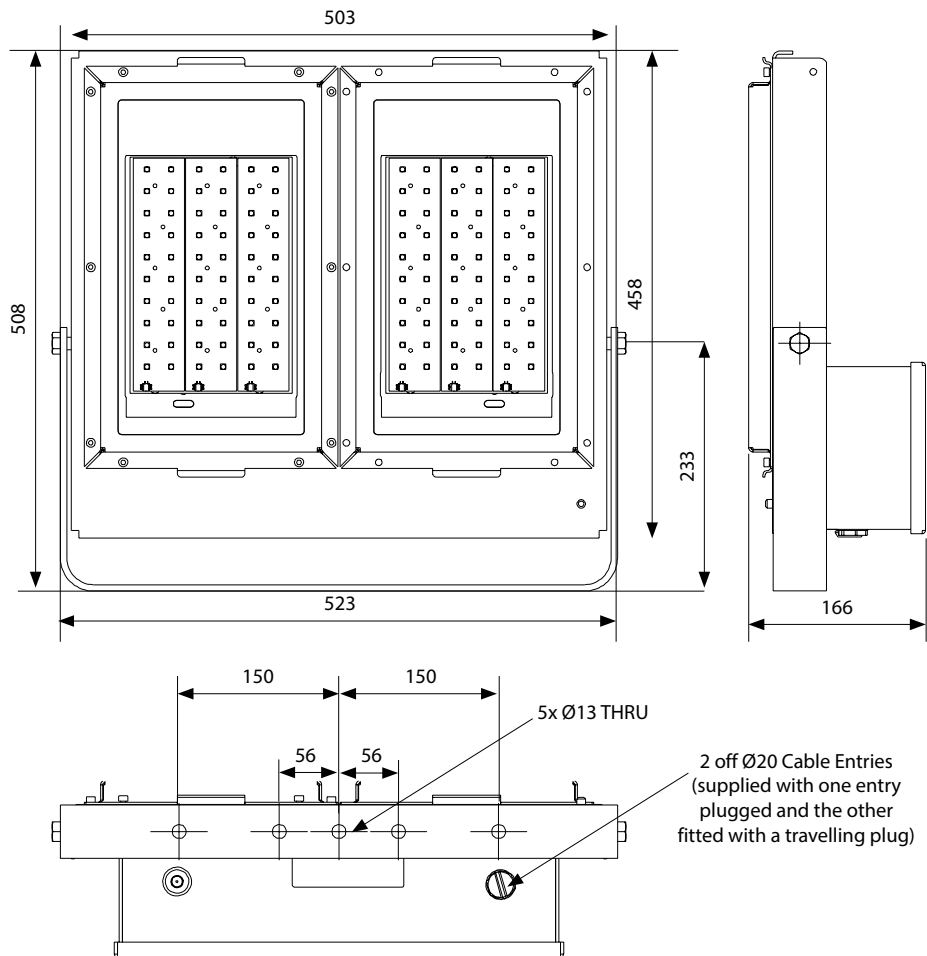
Std. Cat No.	Delivered Output	Power Consumption	Tclass	T °C (Dust)	Ambient °C	Weight
ARHN/22L/LE	23243 lm	172W	T4	135	-50 to +40	14kg
ARHN/31L/LE	34420 lm	254W	T4	135	-50 to +40	14kg
ARHN/40L/LE	45963 lm	390W	T4	135	-50 to +40	14kg

Options - Suffix to Catalogue No.

<b>/25</b>	25mm cable entries	<b>/SRG</b>	Surge Protection (20kA and 10kV)
<b>/HT</b>	High Temperature to +55°C (40L output reduces at high ambient to prolong LED and Driver life)		

**Accessories** *Accessories should be ordered separately*

	Order Code
Wire Guard (2 required per floodlight)	<b>SARR1-0001</b>
Anti Glare Shield	<b>SAH04-0001</b>
Pole Mounting Bracket Assembly	<b>S2400-0002</b>





# HDL206N

Ex e LED Floodlight

The **HDL206N** is an outstanding luminaire allowing up to four modules interlinked, providing an effective and efficient replacement for conventional high power HID floodlights, up to 250W.

With multiple beam options available, and a wide ambient range, this is a truly universal solution for all Zone 2 applications.



## Mounting Options

Floodlight. Pendant. Bulkhead. High Bay. Pole/Column. Road Lighting.

## Standard Specification

HDL206N Ex e LED Floodlight

Type of Protection	Ex e mb (Increased Safety, Encapsulation) Ex tb (Dust Protected Enclosure)
ATEX Classification	Group II Category 3 GD
Area Classification	Zone 2 and Zone 22 areas to EN 60079-10-1 and EN 60079-10-2 with installation to EN 60079-14
Certificate	Type Examination Certificate Sira 11ATEX4314X
Coding	Ex e mb IIC T4/T3 Gc Ex tb IIIC T103°C Dc
Ambient °C	-20 to +50 (T4) / +59.5 (T3)
Enclosure	LM6 Aluminium with epoxy powder finish (RAL 7035) and Polycarbonate diffuser
Entry	2 x M20 cable entries
Termination	3 core 4mm <sup>2</sup> max. conductor with looping
Installation	Stirrup mounting bracket
Control Gear	Electronic Driver
Colour Temperature (CCT)	Refer to Ordering Matrix
Colour Rendering Index (Ra)	>70
Maintenance	M8 Hex Head and M6 SKT Head
Ingress Protection	IP66/67 to EN 60529
Surge Protection	4kV line to line, 6kV line to earth
Electrical Supply	Refer to Ordering Matrix

## Features

- ◆ Highly **Energy Efficient**
- ◆ **Instant on** crisp white light output
- ◆ **Modular design** allowing up to four interlinked luminaires, each providing a delivered output > 5500lm
- ◆ **>150,000 maintenance free hours** at 25°C (L70)
- ◆ **Lower power consumption** than HID lamps
- ◆ **Lightweight** (6kg per module) lighting solution
- ◆ **80,000 maintenance free hours** at 25°

HDL 206N						
Version*	Voltage	Beam Pattern***	Mount	Light (CCT)	Cable Entries	Other Options
<ul style="list-style-type: none"> <li>0 – 24 LEDs [26.5W]</li> <li>1 – 48 LEDs [52.5W]</li> <li>2 – 96 LEDs [103W]</li> <li>3 – 144 LEDs [155W]</li> <li>4 – 192 LEDs [206W]</li> </ul>	<ul style="list-style-type: none"> <li>H – 100-254V AC</li> <li>L – 18-54V AC/DC**</li> </ul>	<ul style="list-style-type: none"> <li>N – Narrow (6565lm)</li> <li>M – Medium (5882lm)</li> <li>W – Wide (5624lm)</li> <li>X – Extra Wide (5547lm)</li> </ul>	<ul style="list-style-type: none"> <li>H – Horizontal Mount [single unit]</li> <li>V – Vertical Mount [multiple units]</li> <li>C – Ceiling Mount</li> </ul>	<ul style="list-style-type: none"> <li>W – Cool White (5000K)</li> <li>X – Warm White (3000K)</li> </ul>	<ul style="list-style-type: none"> <li>0 – M20</li> <li>5 – M25</li> </ul>	<ul style="list-style-type: none"> <li>04 – RAL 7035 (Grey)</li> <li>FG – Glass front cover</li> <li>BP – Nickel plated brass plugs</li> </ul>

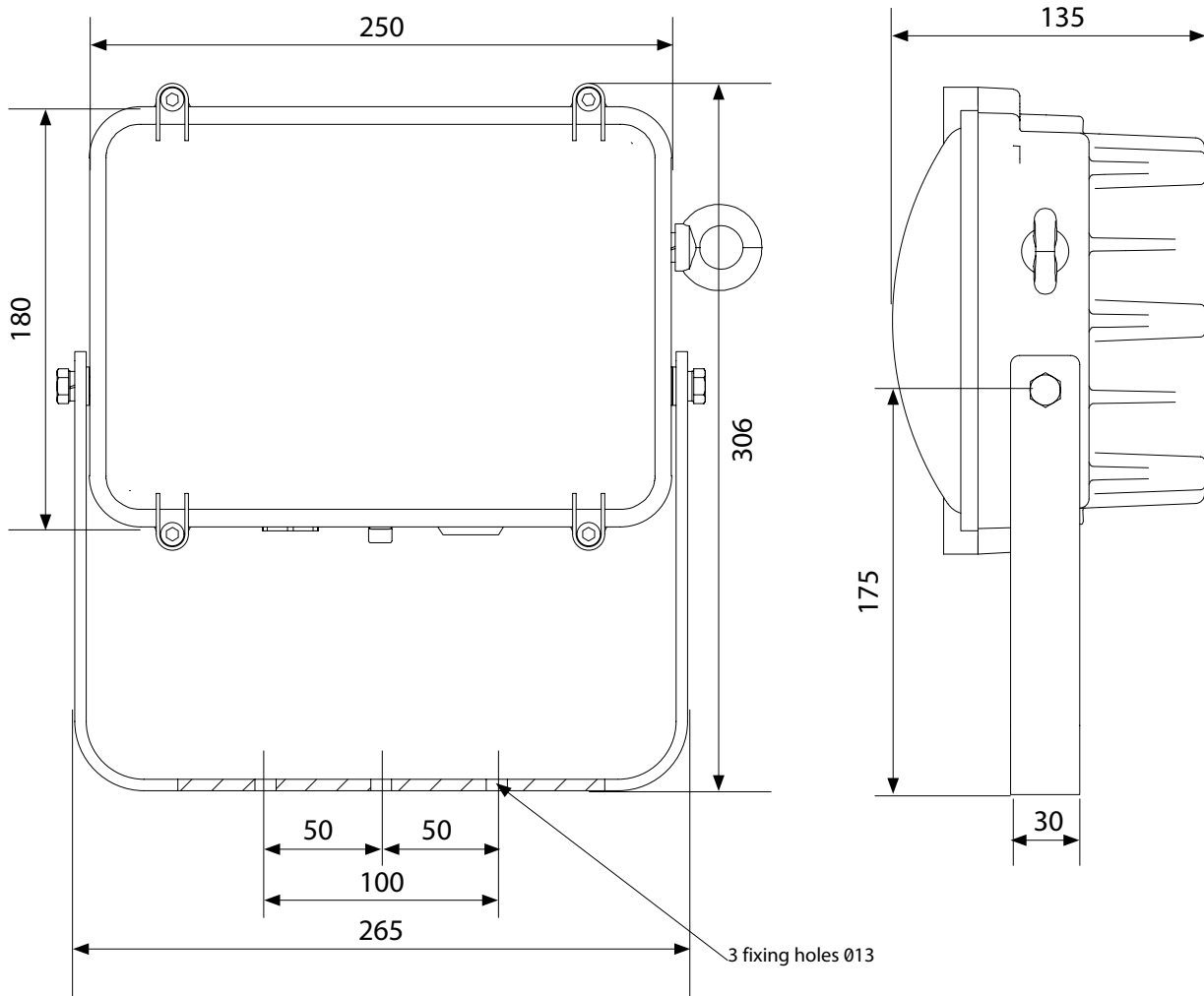
\*Power consumption provided in square brackets

\*\*Upper ambient becomes +55°C

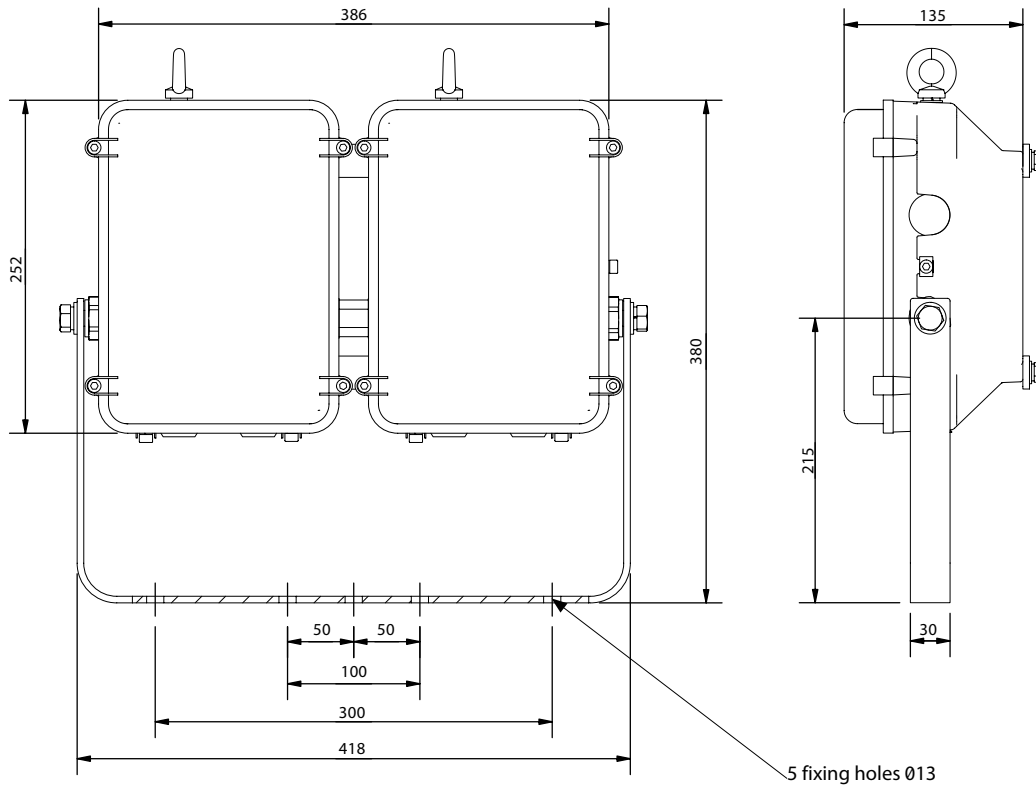
\*\*\*Delivered outputs based on single module 48LED version

Typical ordering reference: **HDL206N1HWHW004**

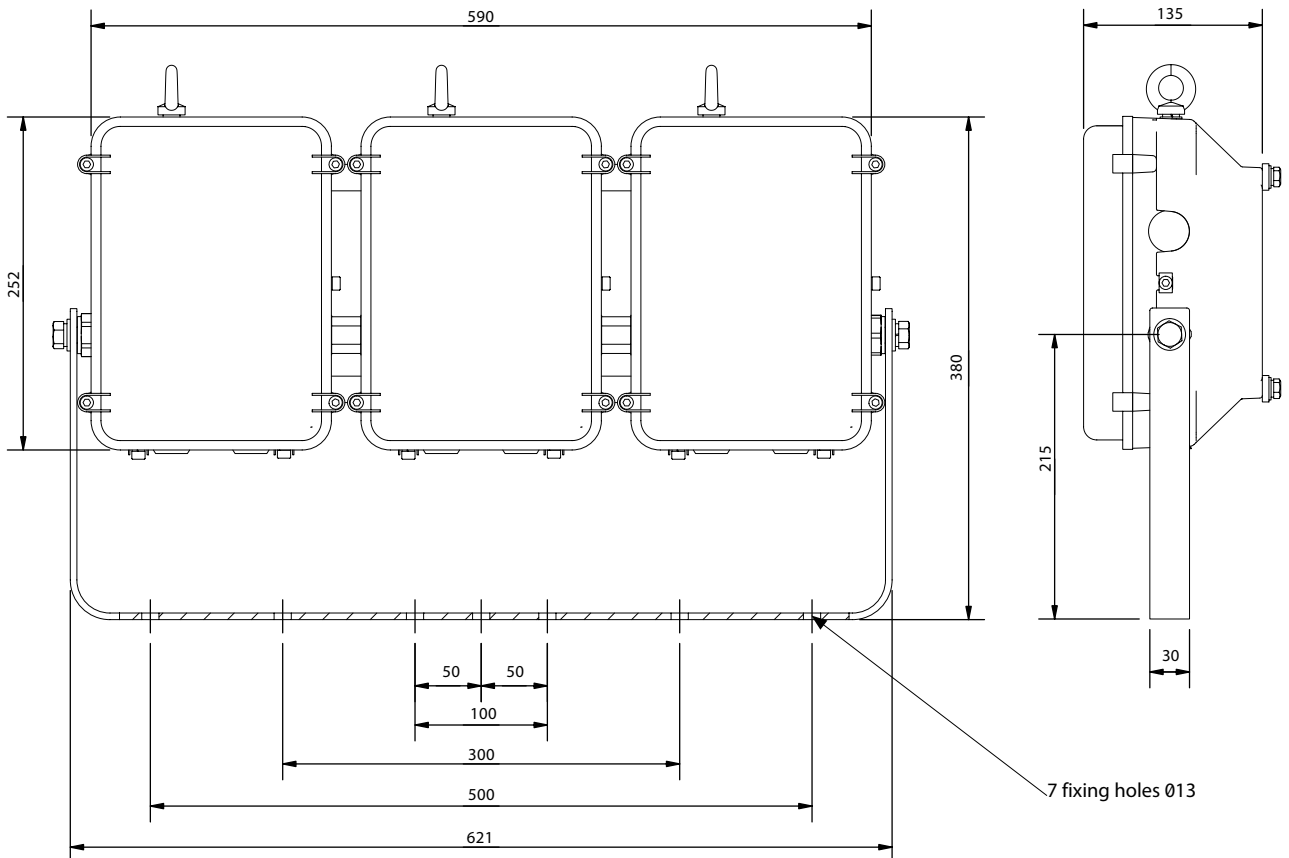
Single unit (24/48 LEDs)



### Double unit (96 LEDs)

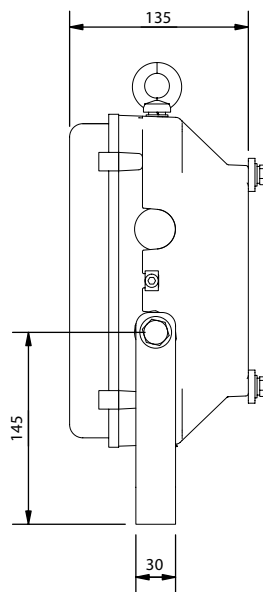
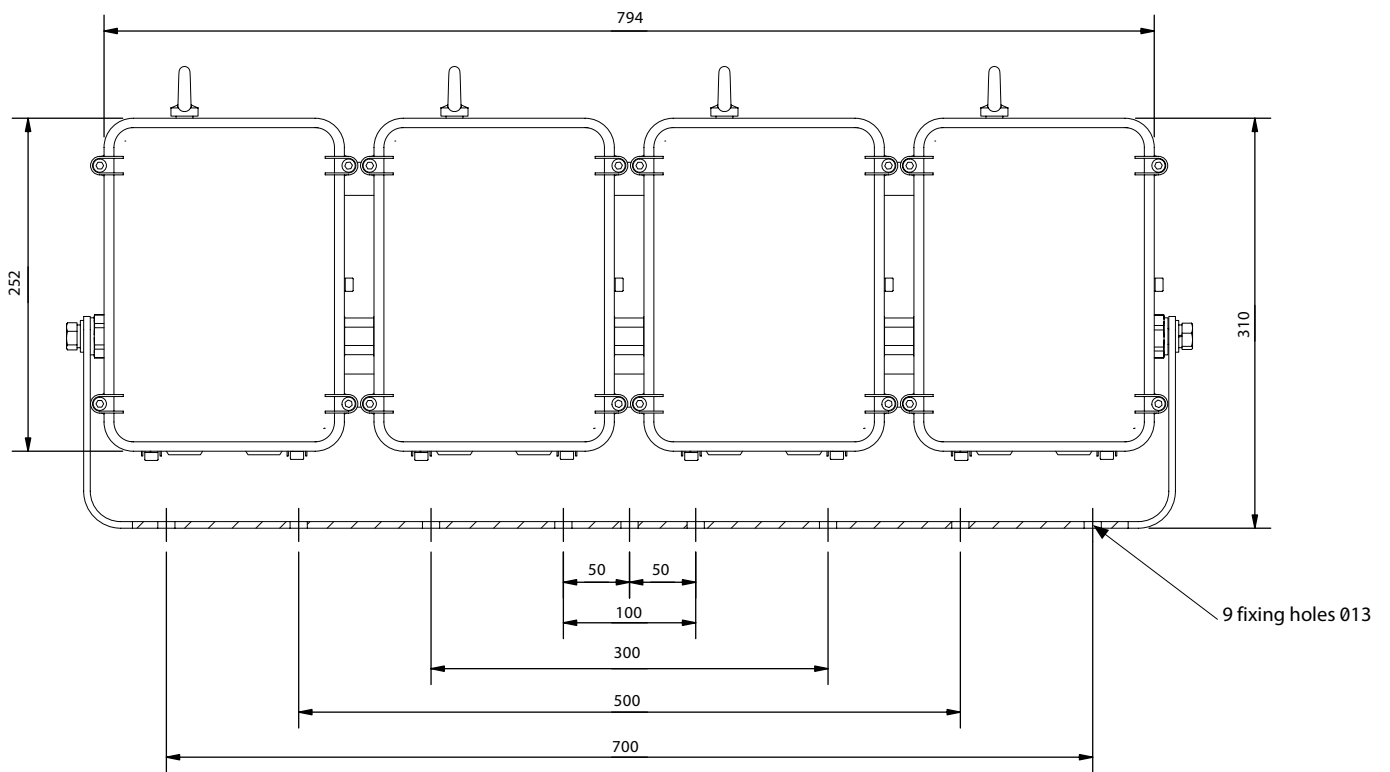


### Triple unit (144 LEDs)





### Quadruple unit (192 LEDs)





# HDL206NE

Ex e LED Floodlight

The **HDL206NE** is a compact Emergency LED luminaire allowing up to three modules interlinked, providing an effective and efficient replacement to traditional battery-backed luminaires.

With its lightweight construction, and variety of beam options already available, the addition of an integral battery makes this is a global solution for any Zone 2 application.



## Mounting Options

Floodlight. Pendant. Bulkhead. High Bay. Pole/Column. Road Lighting.

## Standard Specification

HDL206NE Ex e LED Floodlight

Type of Protection	Ex e mb (Increased Safety, Encapsulation) Ex tb (Dust Protected Enclosure)
ATEX Classification	Group II Category 3 GD
Area Classification	Zone 2 and 22 areas to EN 60079-10-1 and EN 60079-10-2 with installation to EN 60079-14
Certificate	Type Examination Certificate Sira 11ATEX4314X
Coding	Ex e mb IIC T4 Gb Ex tb IIIC T103°C Db
Ambient °C	-20 to +50
Enclosure	LM6 Aluminium with epoxy powder finish (RAL 7035) and Polycarbonate diffuser
Entry	2 x M20 cable entries
Termination	3 core 4mm <sup>2</sup> max. conductor with looping
Installation	Stirrup mounting bracket
Control Gear	Electronic Driver
Colour Temperature (CCT)	Refer to Ordering Matrix
Colour Rendering Index (Ra)	>70
Maintenance	M8 Hex Head and M6 SKT Head
Emergency Duration	90mins (75%) or 3hrs (37.5%)
Ingress Protection	IP66/67 to EN 60529
Surge Protection	4kV line to line, 6kV line to earth
Electrical Supply	100-254V AC 50/60Hz

## Features

- ◆ Highly **Energy Efficient**
- ◆ **Instant on** crisp white light output
- ◆ **Modular design** allowing up to three interlinked luminaires, each providing a delivered output > 5500lm
- ◆ **>150,000 maintenance free hours** at 25°C (L70)
- ◆ **Lower power consumption** than HID lamps
- ◆ **Lightweight** (9kg per module) lighting solution
- ◆ **80,000 maintenance free hours** at 25°

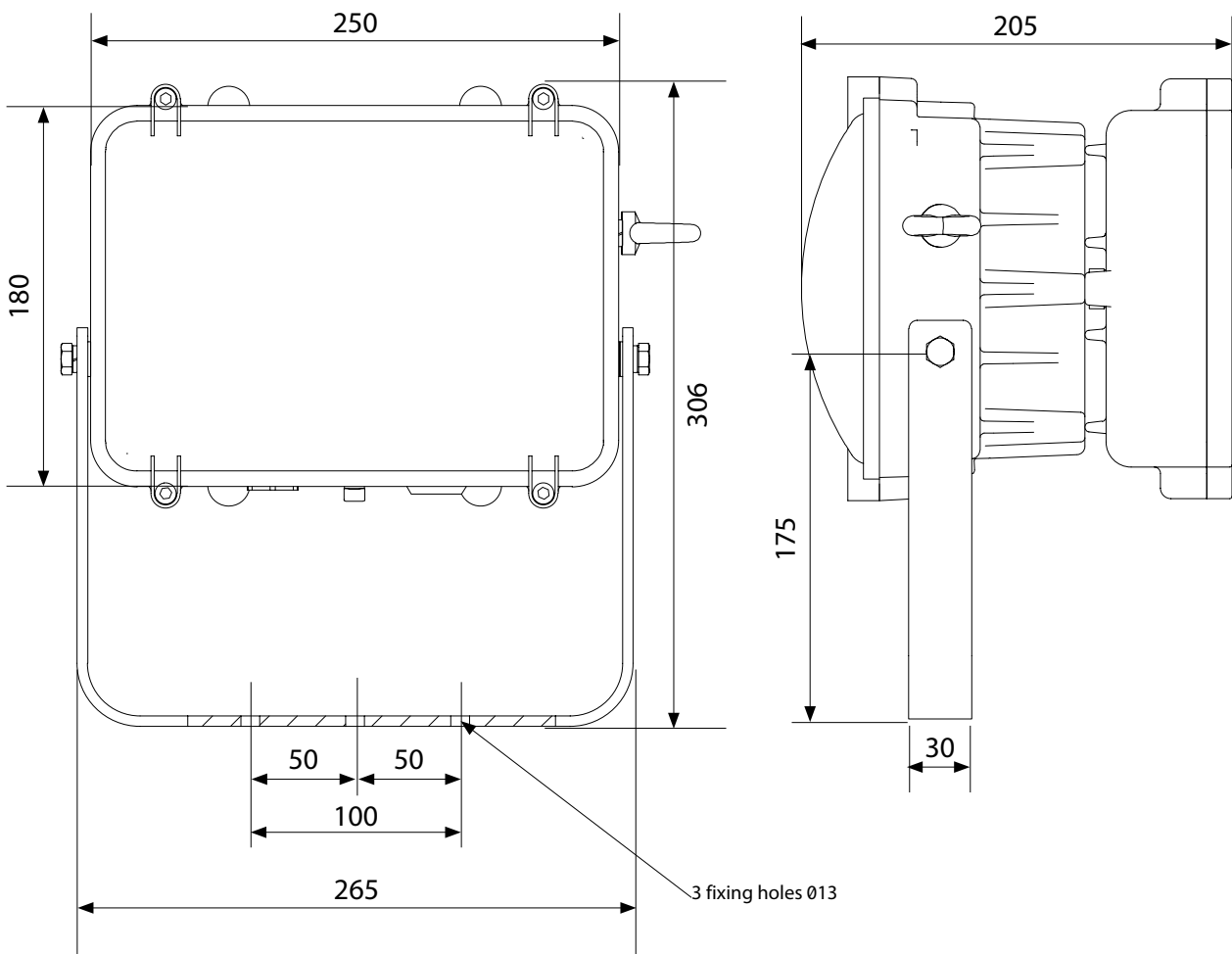
HDL206N				
Version*	Beam Pattern**	Light (CCT)	Cable Entries	Other Options
<b>E</b> – EM (48 LEDs) [62W]	<b>N</b> – Narrow (6565lm)	<b>W</b> – Cool White (5000K)	<b>0</b> – M20	<b>04</b> – RAL 7035 (Grey)
<b>ES</b> – EM/Std (96 LEDs) [114.5W]	<b>M</b> – Medium (5882lm)	<b>X</b> – Warm White (3000K)	<b>5</b> – M25	<b>FG</b> – Glass front cover
<b>EE</b> – EM/EM (96 LEDs) [124W]	<b>W</b> – Wide (5624lm)			<b>BP</b> – Nickel plated brass plugs
<b>SES</b> – Std/EM/Std (144 LEDs) [167W]	<b>X</b> – Extra Wide (5547lm)			
<b>ESE</b> – EM/Std/EM (144 LEDs) [176.5W]				
<b>EEE</b> – EM/EM/EM (144 LEDs) [186W]				

\*Power consumption provided in square brackets

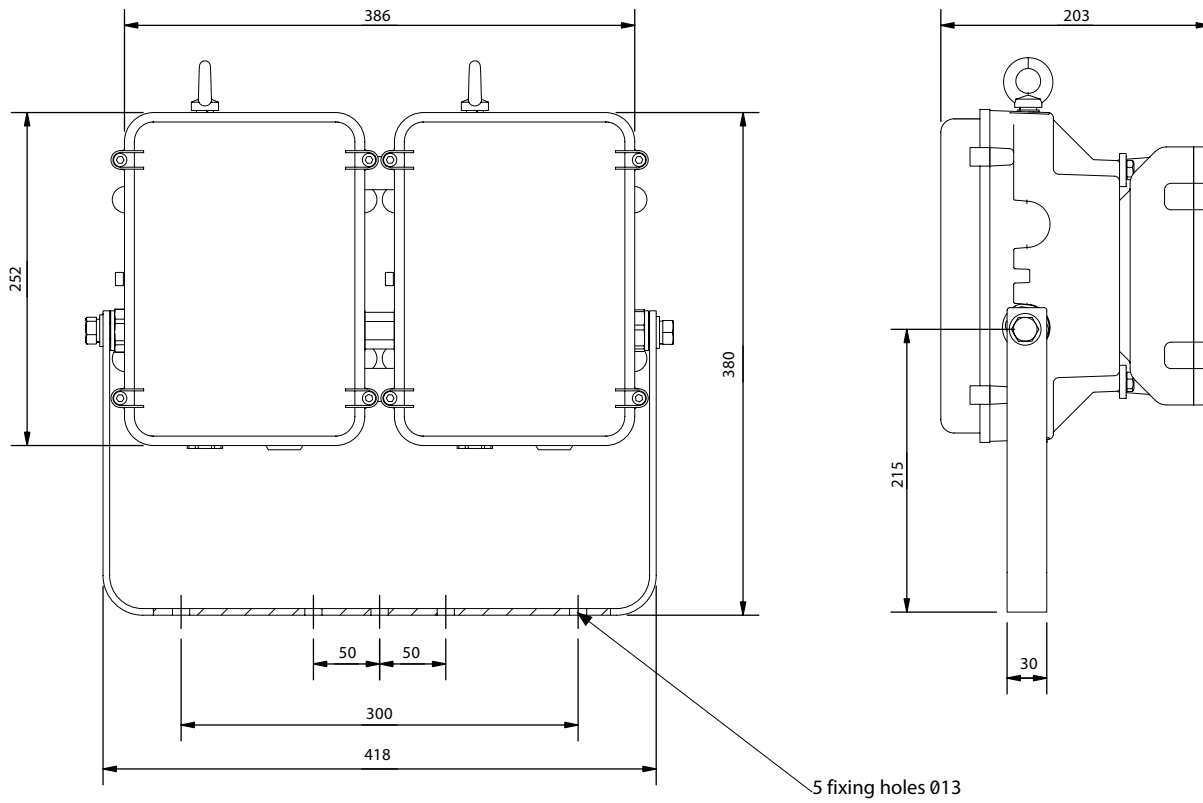
\*\*Delivered outputs based on single module 48LED version

Typical ordering reference: **HDL206NEMW004**

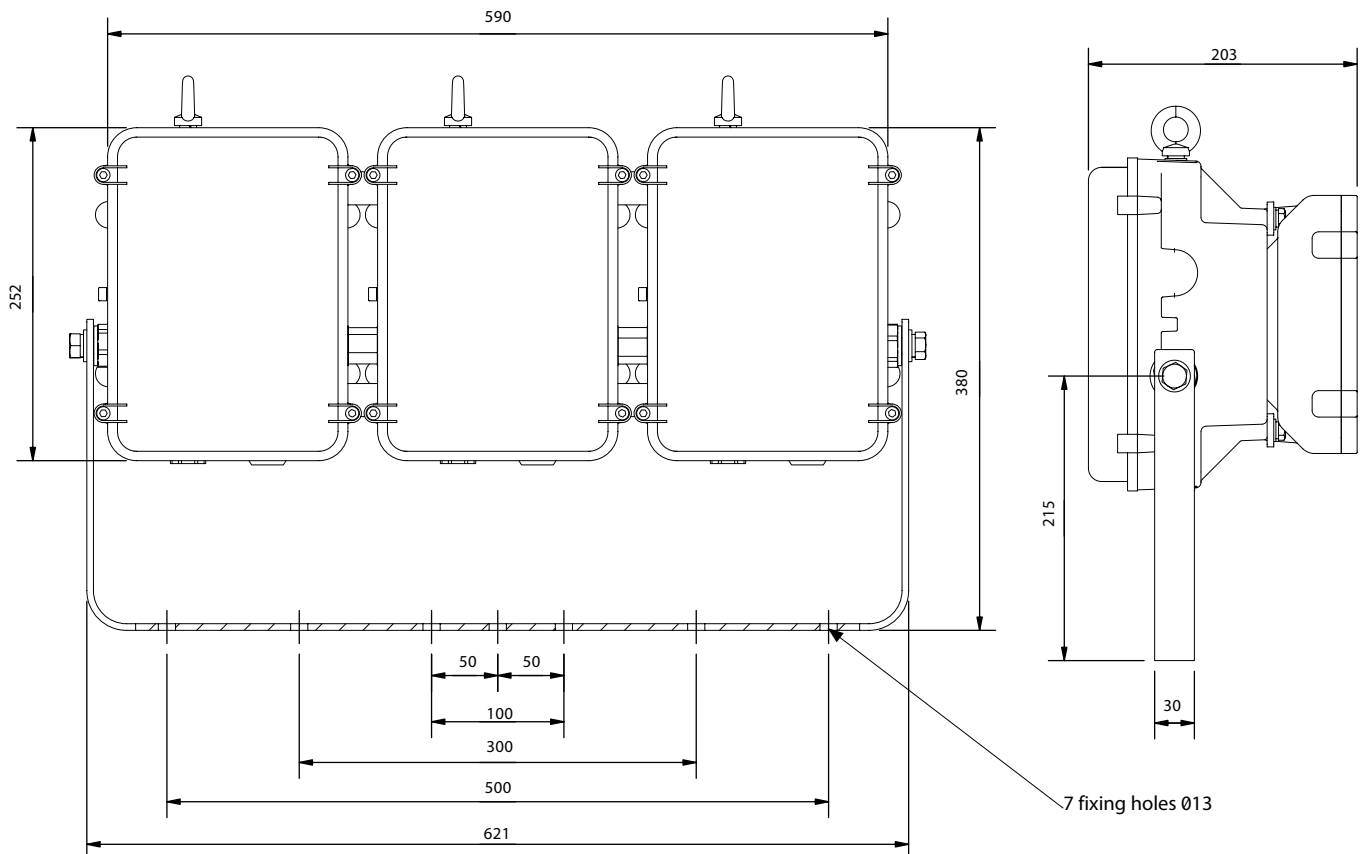
Single unit (48 LEDs)



Double unit (96 LEDs)



Triple unit (144 LEDs)



**HAWKE**  
International

# CABLE GLANDS

*Cable Glands so good, they're out of this world.*



- **World's First Non-Metallic, Fully Inspectable and NEC Certified** Barrier Solution
- **Convert Standard Gland to Barrier Gland**
- **Patented** Integrated Gland Tightening Guide
- Ingress Protection of **IP66, IP67, IP68** and now **IP69**
- **Quick-Set 2-part Resin, Injectable Liquid Resin** or **Unique Compound-Free Barrier**
- Ideal for use with **Chalmit luminaires**



Follow us

[www.UniversalReloaded.com](http://www.UniversalReloaded.com)





# NEXXUS II

Ex nR LED Bulkhead

The **Nexus II** low power LED luminaire is suitable for a wide range of applications and ambient temperatures.

With reduced energy consumption when compared to traditional light sources this versatile luminaire is suitable for ceiling, wall and bulkhead mounting.



## Mounting Options

Ceiling. Wall. Bulkhead. Pole/Column.

## Standard Specification

Nexus II Ex nR LED Bulkhead

Type of Protection	Ex nR (Restricted Breathing) Ex tb (Dust Protected Enclosure)
ATEX Classification	Group II Category 3 GD Group II Category 2 D
Area Classification	Zone 2 and Zone 22 areas to EN 60079-10-1 and EN 60079-10-2 with installation to EN60079-14
Certificate	Type Examination Certificate Baseefa 11ATEX0031X [Zone 2/22] EU Type Examination Certificate Baseefa 11ATEX0032X [Zone 21] IECEX Certificate of Conformity IECEX BAS 11.0017X
Coding	Ex nR IIC T6 Gc Ex tc IIIC T70°C Dc IP6X Ex tb IIIC T70°C Db IP6X
Enclosure	Aluminium LM6 body, RAL-9005 black epoxy paint finish with toughened glass and silicone gasket
Reflector	Brushed aluminium
Entry	3 x M20 cable entries
Termination	3 core 6mm <sup>2</sup> max. conductor with looping or through wiring 16A max current rating
Installation	Surface mounted. 4 mounting holes located outside seal.
Control Gear	Electronic Driver
Colour Temperature (CCT)	4100K (Neutral White)
Maintenance	M6 Slotted Screws
Ingress Protection	IP66 to EN 60529
Surge Protection	4kV
Electrical Supply	110 - 254V AC 50/60Hz

## Features

- ◆ Highly **Energy Efficient**
- ◆ High **corrosion resistance**
- ◆ **Prismatic lens**
- ◆ Very low **power consumption**
- ◆ **Through wire or looping** as standard
- ◆ **Equivalent performance** to a 26W CFL
- ◆ Suitable for **low temperature applications**
- ◆ **60,000 hours\*** continuous operation
- ◆ Suitable for Zone 21 **combustible dust environments**

Std. Cat No.	Delivered Output	Power Consumption	Tclass	T °C (Dust)	Ambient °C	Weight
<b>NE2N/121/LE</b>	1260 lm	19W	T6	70	-45 to +55	5.7kg

Options - Suffix to Catalogue No.

<b>/3K</b>	3000K (Warm White) LED Array
------------	------------------------------

**Accessories** *Accessories should be ordered separately*

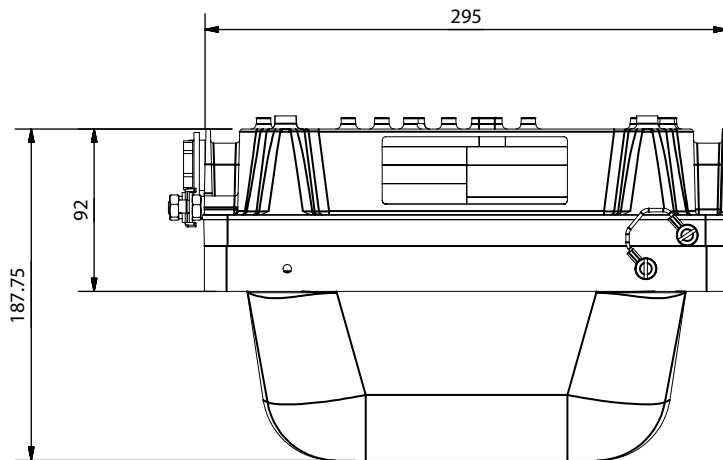
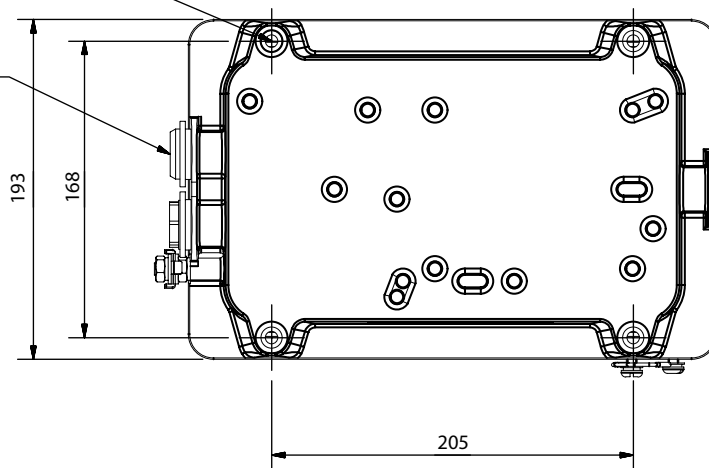
Order Code

Wire Guard Assembly

**SNEX1-0001**

4x Ø7 Mounting Holes

3x M20 Cable Entries







# PROTECTA X

LED Linear

The next generation in LED linear luminaires, the Protecta X's revolutionary design puts LED at the centre to provide the performance of a 4ft linear in a lightweight and slimline package. Offering a robust enclosure, excellent IP and a variety of features to make installation and maintenance effortless, the Protecta X is ideal for industrial environments. Expected useful life to 70% of the initial lumens (L70) is >200,000 hours at 25°C, with an incredible 90,000 maintenance free hours at 60°C. For a luminaire with the longest life, the highest output and market-leading efficacy, choose the **Protecta X**.



## Mounting Options

Ceiling. Wall. Suspended. Pole. Handrail.

## Standard Specification

Protecta X LED Linear

Enclosure	Marine grade aluminium body with polycarbonate diffuser. Driver enclosure with epoxy powder finish (RAL 9005)
Geartray	Aluminium
Entry	4 x M20 cable entries - 2 at each end [3 cable entries on Emergency with battery stick]
Termination	3 core 4mm <sup>2</sup> max conductor [4 core on Emergency] with looping one end and 16A rating through wiring
Installation	2 x M8 mounting points located on the rear of the body
Control Gear	Electronic Driver
Optical Distribution	Wide beam
Colour Temperature (CCT)	5000K (Cool White)
Colour Rendering Index (Ra)	>70
Maintenance	Front access panel with Torx screws
LED Lifetime @ 60°C Ambient	L70 > 200,000hrs
System Life @ Ambient	120,000hrs @ 25°C; 90,000hrs @ 60°C [excluding battery]
Battery	Hot-Swappable Ni-MH (6V) battery stick - externally accessed [/EM version only]
Emergency Duration	90 mins (02L = 50% output; 05L = 25% output) [ASL/ASW Asymmetric versions - 3hours only]
Impact Protection	IK10
Ingress Protection	IP66/67 to EN 60529
Surge Protection	4kV
Electrical Supply	110-277V AC, 50/60Hz 127-250V DC

## Features

- ◆ Highly **Energy Efficient** >135lm/W
- ◆ **Battery management** and automatic self test
- ◆ **Multiple beam** distributions available
- ◆ **Front access cover** with screwless mains terminals for easy termination
- ◆ **>90,000 maintenance free hours** at 60°C
- ◆ **Externally accessible battery stick** for ease of maintenance

Std. Cat No.	Delivered Output	Power Consumption	Ambient °C	Weight
<b>PRXI/02L/LE</b>	2696 lm	16W	-40 to +60	6.8kg
<b>PRXI/05L/LE</b>	5230 lm	36W	-40 to +60	8.8kg
<b>PRXI/02L/LE/EM</b>	2696 lm	18.5W	-25 to +60	7.3kg
<b>PRXI/05L/LE/EM</b>	5230 lm	38.5W	-25 to +60	9.3kg

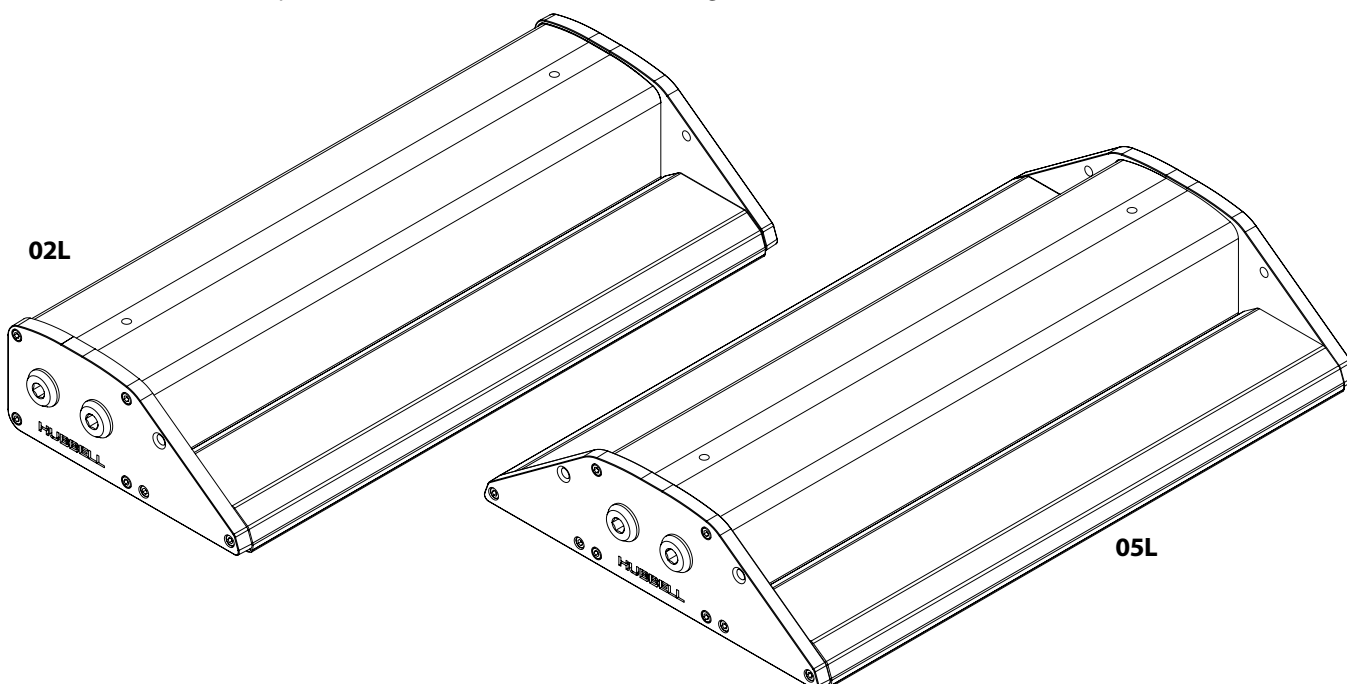
Options - Suffix to Catalogue No.

<b>/M25</b>	M25 cable entries	<b>/3H</b>	3 hour battery duration (02L = 25% output; 05L = 12.5% output) [Standard on ASW or ASL versions]
<b>/LBE</b>	Looping both sides [Non Emergency only]	<b>/4K</b>	4000K (Neutral White) LED Strips
<b>/EL</b>	Extra live termination facility (to match emergency circuit)	<b>/SC</b>	Screwed connection terminal block (up to 6mm <sup>2</sup> conductors)
<b>/EMI</b>	Internal battery pack [replace /EM with /EMI]	<b>/BNI</b>	Batteries not included [Emergency version only]
<b>/NST</b>	Non Self Test [Emergency version only]	<b>/DM</b>	DALI Dimmable driver
<b>/ASL</b>	Asymmetric along length optic	<b>/M</b>	Medium beam optic
<b>/ASW</b>	Asymmetric along width optic [05L version only]	<b>/BP</b>	Nickel plated brass plugs
<b>/80</b>	80 CRI LEDs		

**Accessories** *order separately*

	Order Code
Pole mounting bracket assembly (38-42mm diameter poles)	<b>SPOL4-100001</b>
Pole mounting bracket assembly (48-52mm diameter poles)	<b>SPOL4-100002</b>
Pole mounting bracket assembly (58-62mm diameter poles)	<b>SPOL4-100003</b>
Hook type ceiling bracket assembly	<b>SPRO4-0005</b>
Flush mounted wall bracket assembly	<b>SPRO4-0006</b>
Ceiling bracket assembly	<b>SPRO4-0002</b>
Standard wall mounting outreach bracket (use with SPOL4-100001)	<b>NPRO4-0008</b>
Eyebolt mounting assembly	<b>SPRO5-0005</b>
Protecta 4ft adaptor bracket	<b>SPRO5-0006</b>

Please also refer to the complete set of Protecta X dimensioned drawings on P.8





# PROTECTA III

LED Linear

The Industrial **Protecta III** is a high quality LED linear delivering unparalleled performance and all the recognised benefits of the existing Protecta range; a proven robust enclosure, excellent IP and low maintenance features which are key to heavy industrial and harsh marine environments.

Expected useful life to 70% of the initial lumens (L70) is a market leading 155,000 hours at 45°C and, combined with a lightweight geartray design utilising fully replaceable LED strips and driver, we can deliver a unique product with effective long term maintenance capabilities.



## Mounting Options

Ceiling. Wall. Suspended. Pole/Stanchion.

## Standard Specification

Protecta III LED Linear

Enclosure	GRP body with polycarbonate cover
Geartray	White coated zintec
Entry	4 x M20 cable entries - 2 at each end
Termination	3 core 4mm <sup>2</sup> max conductor with looping and 16A rating through wiring [4 core on Emergency]
Installation	2 x M8 tapped brass inserts located on the rear of the body
Control Gear	Electronic Driver
Colour Temperature (CCT)	4000K (Neutral White)
Colour Rendering Index (Ra)	>80
Maintenance	Quick release diffuser clamp and hinged cover
LED Lifetime @ 45°C Ambient	L70 ≥ 155,000hrs
Maintenance Free Lifetime	120,000hrs @ 25°C
Battery	Internal Ni-Cd (6V) [Emergency version only]
Emergency Duration	3 Hours (02L version = 33% output, 04L version = 23% output, 07L version = 12% output)
Ingress Protection	IP66/67 to EN 60529
Surge Protection	02L = 1kV; 04L/07L = 4kV (line to line)
Electrical Supply	120-277V AC, 50/60Hz 127-300V DC 220-240V AC, 50/60Hz [Emergency version only]

## Features

- ◆ Highly **Energy Efficient**
- ◆ **Screwless** mains terminals
- ◆ **DTS-01** deluge tested
- ◆ **Battery monitoring** and **automatic self test**
- ◆ **>144,000 maintenance free hours** at 55°C (L70)
- ◆ **Simple rugged construction**

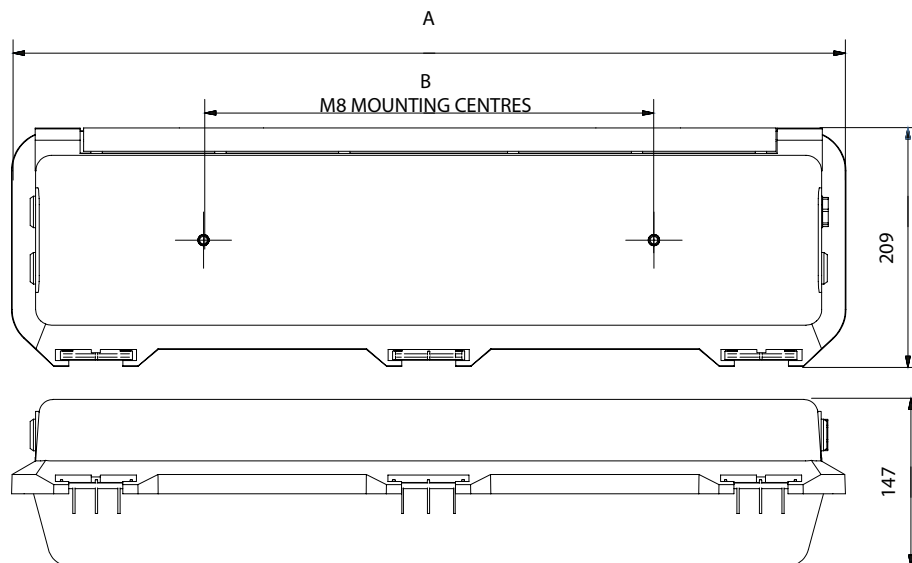
Std. Cat No.	Delivered Output	Power Consumption	Ambient °C	Weight
PR31/02L/LE	2296 lm	16W	-25 to +55	4.8kg
PR31/04L/LE	3526 lm	24W	-25 to +55	4.9kg
PR31/07L/LE	6690 lm	44W	-25 to +55	8.2kg
PR31/02L/LE/EM	2296 lm	20W	-25 to +50	5.8kg
PR31/04L/LE/EM	3526 lm	26W	-25 to +50	5.9kg
PR31/07L/LE/EM	6690 lm	48W	-25 to +50	9.2kg

Options - Suffix to Catalogue No.

<b>/M25</b>	M25 cable entries	<b>/5K</b>	5000K (Cool White) LED Strips
<b>/LBE</b>	Looping both sides	<b>/DM</b>	DALI Dimmable driver (04L and 07L only)
<b>/BP</b>	Nickel plated brass plugs (x3)	<b>/NST</b>	Non self test inverter (EM only)
<b>/EL</b>	Extra live termination facility (to match emergency circuit)	<b>/SC</b>	Screwed connection terminal block (up to 6mm <sup>2</sup> conductors)
<b>/OD</b>	Internal Opal diffusers (approx. 20% reduction in output)	<b>/MSB</b>	Moulded-in stainless steel mounting bushes

**Accessories** *Accessories should be ordered separately*

	Order Code
Pole mounting bracket assembly (38-42mm diameter poles)	SPOL4-100001
Pole mounting bracket assembly (48-52mm diameter poles)	SPOL4-100002
Pole mounting bracket assembly (58-62mm diameter poles)	SPOL4-100003
Hook type ceiling bracket assembly	SPRO4-0005
Flush mounted wall bracket assembly	SPRO4-0006
Ceiling bracket assembly	SPRO4-0002
Wall mounting outreach bracket	NPRO4-0007
Standard 2ft wall mounting outreach bracket (use with SPOL4-100001)	NPRO4-0008
Standard 4ft wall mounting outreach bracket (use with SPOL4-100001)	NPRO4-0012
Eyebolt mounting assembly	SPRO5-0005
Internal Opal Diffuser Strips (02L & 04L)	S3004-100005
Internal Opal Diffuser Strips (07L)	S3004-100006



DIM	02L/04L	07L
DIM A	742	1352
DIM B	400	700



# STERLING III

LED Linear

The **Sterling III** LED is a high quality, cost effective linear which realises further power savings over the Sterling II family, without impacting on the luminaire performance.

Featuring a lightweight, single geartray design allows for ease of installation and maintenance, and is available with or without internal opal diffusers to suit any industrial application.



### Mounting Options

Ceiling. Wall. Suspended. Pole.

## Standard Specification

Sterling III LED Linear

Enclosure	GRP with prismatic polycarbonate diffuser and stainless steel retaining clips
Geartray	White coated zintec
Entry	2 x 20mm diameter clearance holes
Termination	4 core 4mm <sup>2</sup> max conductor with through wiring 16A rating
Installation	Two clearance holes for M8 fasteners located on rear of body, sealing washers provided
Control Gear	Electronic Driver
Colour Temperature (CCT)	4000K (Neutral White)
Colour Rendering Index (Ra)	>80
Maintenance	Access via diffuser secured by quick release stainless steel clips
Battery	Internal Ni-Cd (6V) [Emergency version only]
Emergency Duration	3 Hours (03L = 26%; 06L = 14%; 09L = 10%)
Ingress Protection	IP65 to EN 60529
Surge Protection	4kV line to line, 6kV line to earth
Electrical Supply	120-277V AC, 50/60Hz 127-300V DC 220-240V AC, 50/60Hz [Emergency version only]

## Features

- ◆ Highly **Energy Efficient**
- ◆ **Battery management** and automatic self test
- ◆ Lightweight and **slimline construction**
- ◆ **155,000 maintenance free hours** at 45°C (L70)

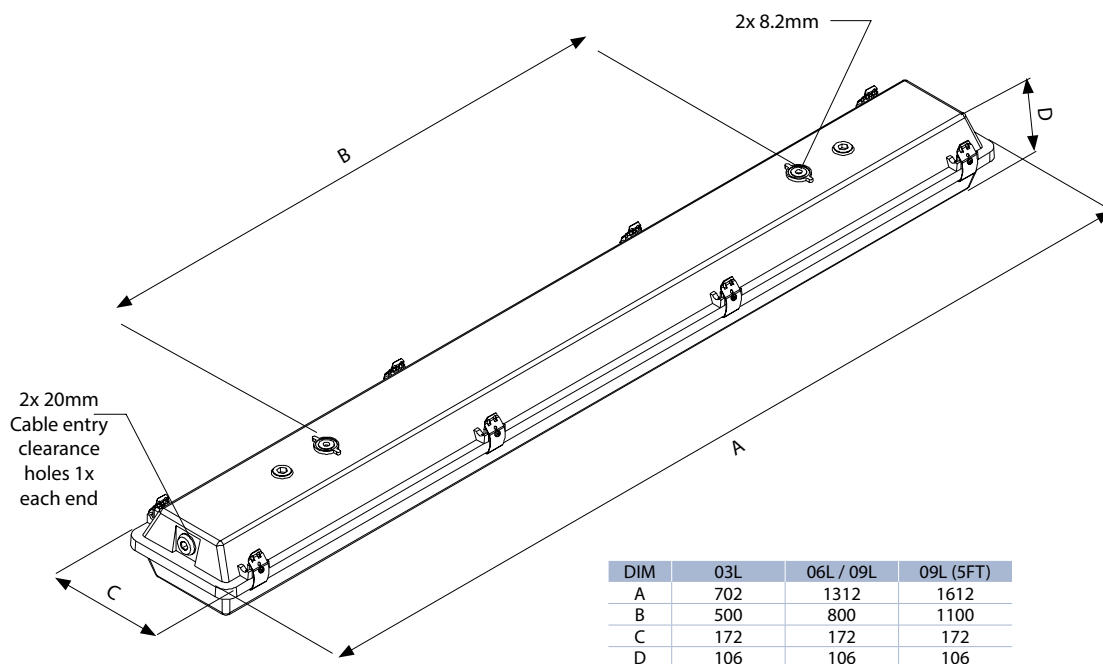
Std. Cat No.	Delivered Output	Power Consumption	Ambient °C	Weight
ST3I/03L/LE	3592 lm	24W	-20 to +55	2.8kg
ST3I/06L/LE	6241 lm	44W	-20 to +55	4.4kg
ST3I/09L/LE	8798 lm	64W	-20 to +45	5.0kg
ST3I/03L/LE/EM	3592 lm	26W	-20 to +50	3.8kg
ST3I/06L/LE/EM	6241 lm	48W	-20 to +50	5.2kg
ST3I/09L/LE/EM	8798 lm	68W	-20 to +45	5.8kg

Options - Suffix to Catalogue No.

/OD	Internal Opal diffusers (approx. 20% reduction in output)	/NST	Non self test inverter (EM only)
/DM	DALI Dimmable driver	/5K	5000K (Cool White) LED Strips
/5FT	5ft body (09L model only)		

**Accessories** *Accessories should be ordered separately*

	Order Code
Pole mounting bracket assembly (38-42mm diameter poles)	SPOL4-100004
Pole mounting bracket assembly (48-52mm diameter poles)	SPOL4-100005
Pole mounting bracket assembly (58-62mm diameter poles)	SPOL4-100006
Hook type ceiling bracket assembly	S3004-100003
Ceiling bracket assembly	S3004-100001
Flush wall mounting bracket assembly (30° luminaire rotation)	S3004-100004
03L wall mounting outreach bracket (use with SPOL4-100004)	NPRO4-0008
06L/09L wall mounting outreach bracket (use with SPOL4-100004)	NPRO4-0012
Internal Opal Diffuser Strips (03L)	S3004-100005
Internal Opal Diffuser Strips (06L & 09L)	S3004-100006





# ACCLAIM

LED Recessed Linear

The **Acclaim** is a recessed luminaire designed for use in solid or plank ceiling types.

Widely used in offshore accommodation modules this proven luminaire is now available in LED bringing all the benefits of long life LED technology with replaceable LED strips and driver.



CE

International Approvals

## Mounting Options

Recessed. Suspended. (drop rods)

## Standard Specification

Acclaim LED Recessed Linear

Enclosure	White polyester painted zintec body and frame. Frame colour RAL 9010. Prismatic diffuser.
Geartray	Aluminium
Entry	4 x 21mm clearance holes (supplied plug)
Termination	Quick release mains terminals - 3 core 4mm <sup>2</sup> max conductor with looping and through wiring facility [4 core on emergency]
Installation	Fixed side brackets with swing out arms, and provision for drop rod mounting
Control Gear	Electronic Driver
Colour Temperature (CCT)	4000K (Neutral White)
Colour Rendering Index (Ra)	>80
Maintenance	Via front cover, secured by pan head screws
Battery	Internal Ni-Cd (6V) [Emergency version only]
Emergency Duration	3 Hours (02L version = 33% output, 04L version = 15% output)
Ingress Protection	IP54 to EN60529
Surge Protection	4kV
Electrical Supply	220-240V AC, 50/60Hz

## Features

- ◆ Highly **Energy Efficient**
- ◆ **Replaceable LED strips and driver**
- ◆ **Resistant** to voltage fluctuations
- ◆ **Quick release** mains terminal
- ◆ Battery Monitoring and **automatic self test**
- ◆ **Retrofit geartray** available
- ◆ **80,000 maintenance free hours** at 25°C (L70)

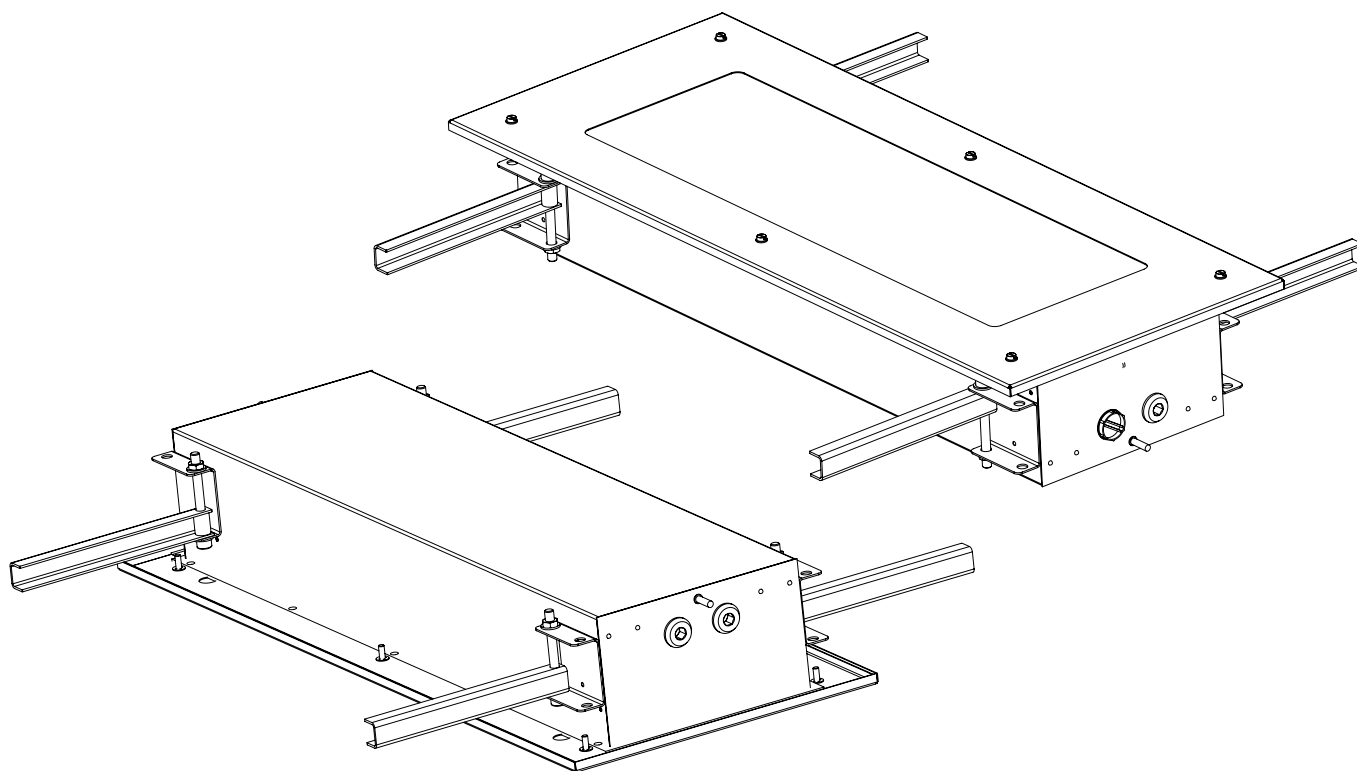


Std. Cat No.	Delivered Output	Power Consumption	Ambient °C	Weight
<b>ACLI/02L/LE</b>	1632 lm	20W	-20 to +45	6.0kg
<b>ACLI/04L/LE</b>	4035 lm	42W	-20 to +45	11.0kg
<b>ACLI/02L/LE/EM</b>	1632 lm	24W	-20 to +45	8.5kg
<b>ACLI/04L/LE/EM</b>	4035 lm	47W	-20 to +45	13.5kg

\*Note: Installed Industrial Acclaim fluorescents can be upgraded to LED by ordering a Retrofit Geartray ACRI. Substitute ACRI for ACLI in the above partcodes.

Options - Suffix to Catalogue No.

<b>/PC</b>	Solid plank ceiling (Painted frame colour RAL 9016G)	<b>/DM</b>	Digital Dimming (DALI)
<b>/SC</b>	Screwed connection terminal block (up to 6mm <sup>2</sup> conductors)	<b>/SSCS</b>	Brushed stainless steel cover (M300 ceiling only)
<b>/EL</b>	Extra live termination facility (compatible with 4 core switched emergency circuits)	<b>/SSC</b>	Brushed stainless steel cover (Solid plank ceiling only)
<b>/25</b>	25mm cable entries	<b>/MF</b>	Mains fuse
<b>/120</b>	Specific voltage (110-130V AC)	<b>/3K</b>	3000K (Warm White) LED Strips

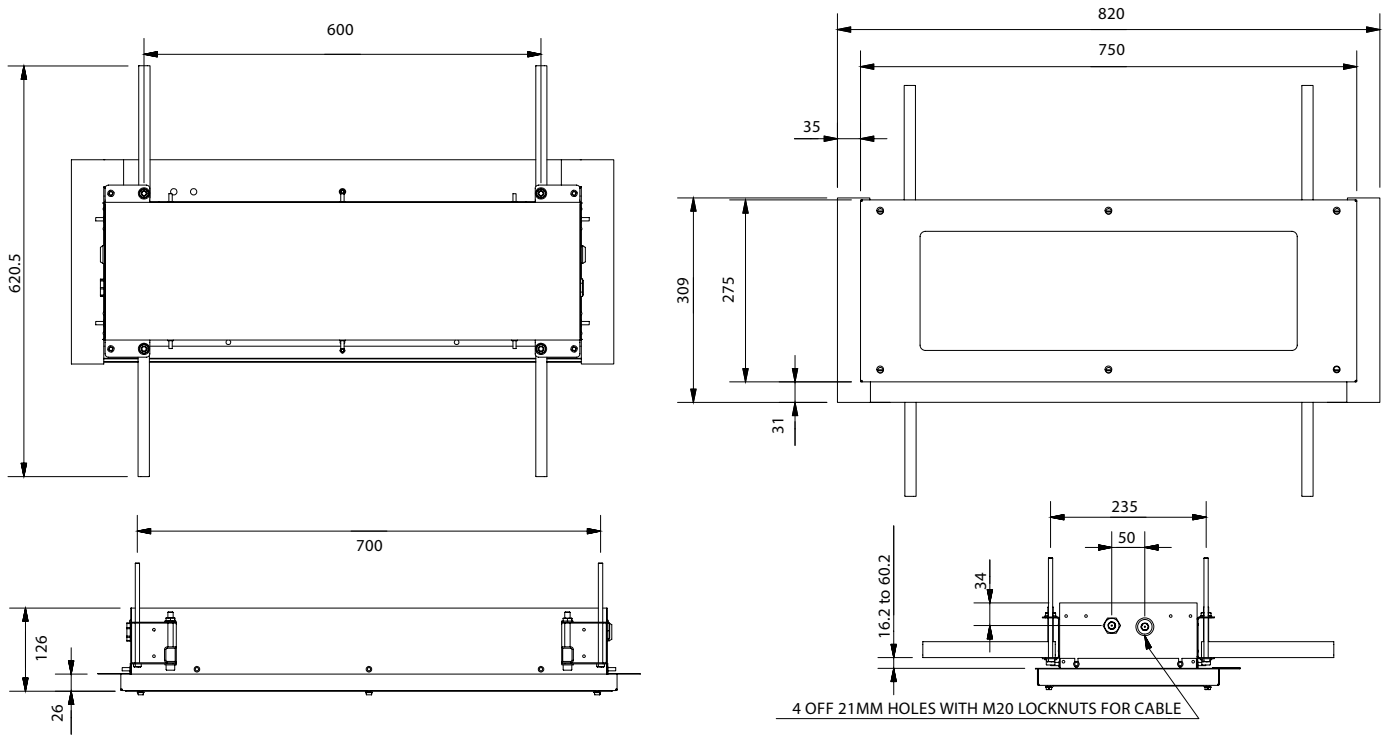


Adjust to ensure ceiling integrity

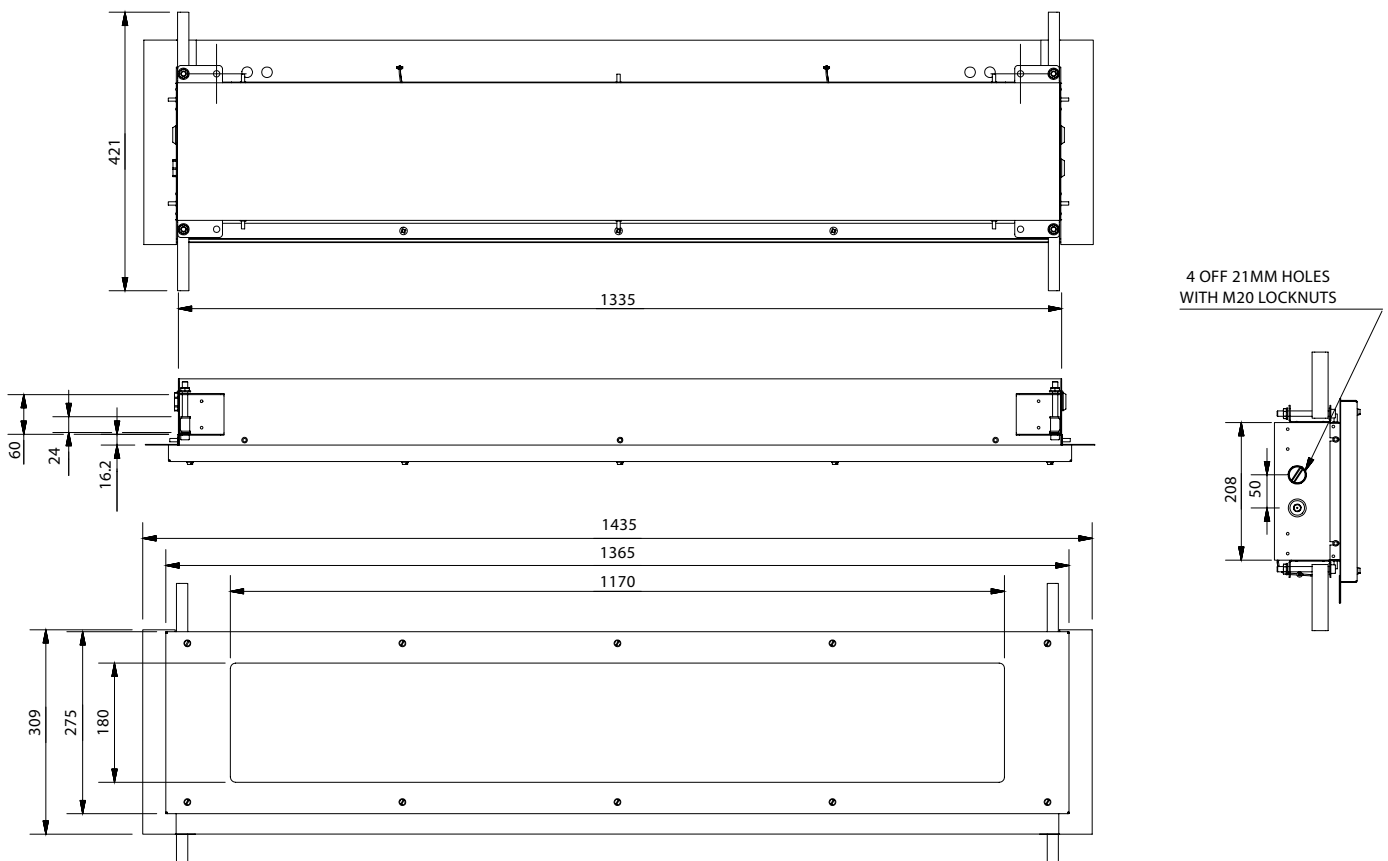


Single screw height adjustment

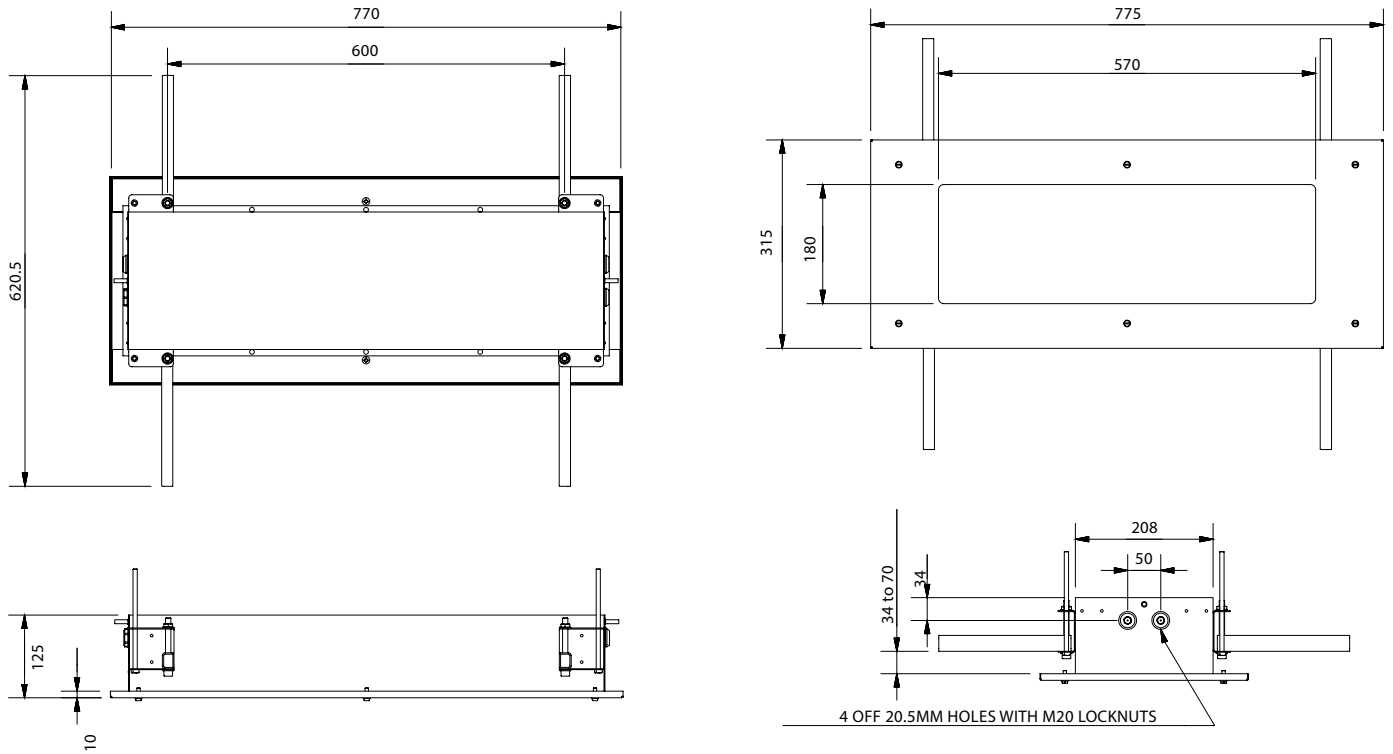
### ACLI/02L/LE



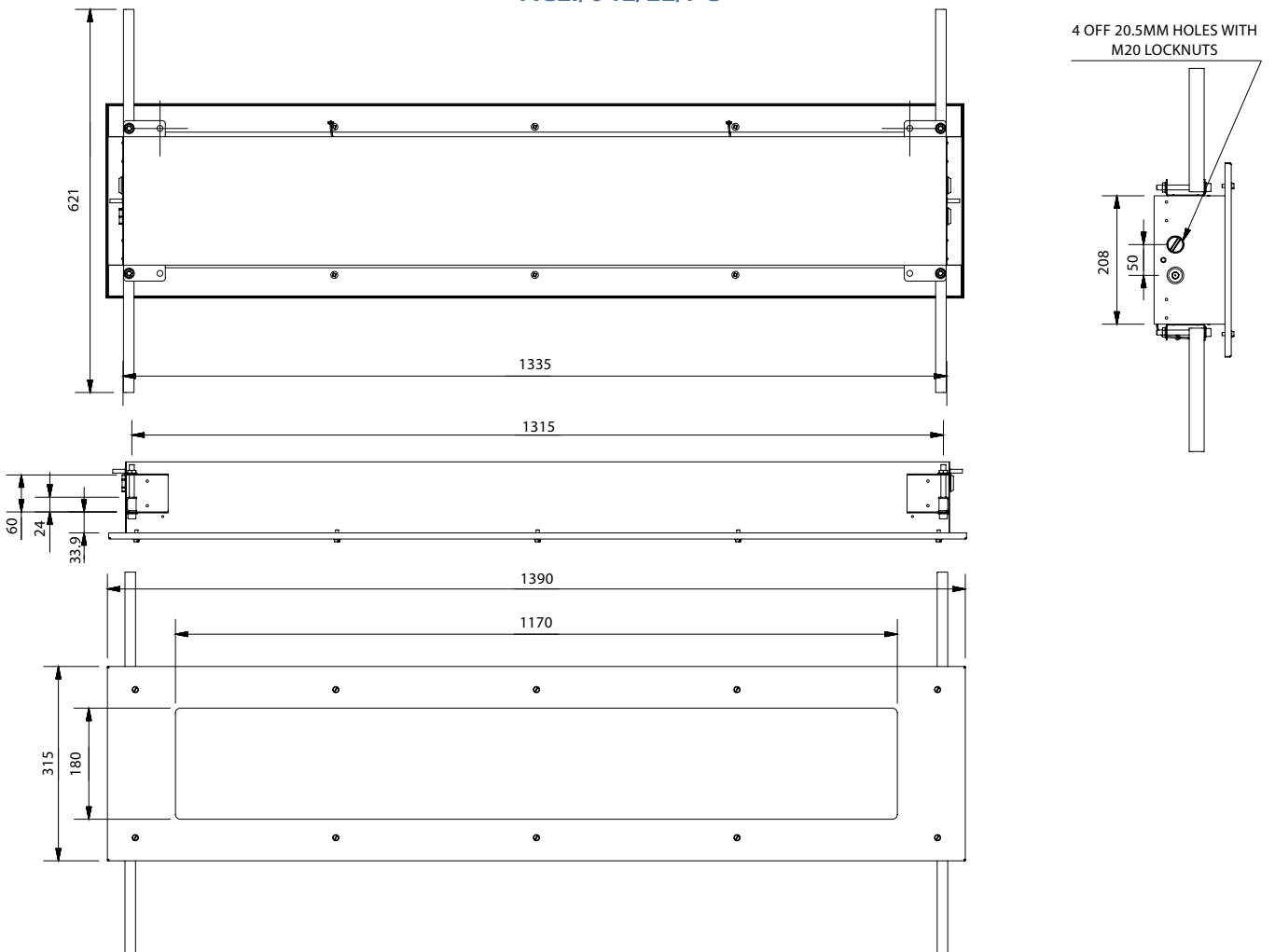
### ACLI/04L/LE



ACLI/02L/LE/PC



ACLI/04L/LE/PC





# CURIE

LED Recessed Linear

The **Curie** is a recessed LED luminaire designed for use in solid or modular ceiling types.

Widely used in offshore accommodation modules this proven luminaire is now available in LED bringing all the benefits of long life LED technology with replaceable LED strips and driver.



## Mounting Options

Recessed. Suspended. (drop rods)

## Standard Specification

Curie LED Recessed Linear

Enclosure	White polyester painted zintec body and frame. Frame colour RAL 9016G. Prismatic diffuser.
Geartray	Aluminium
Entry	4 x 20mm clearance holes - two at side, two at top
Termination	3 core 4mm <sup>2</sup> max conductor with looping and 16A through wiring facility [4 core on emergency]
Installation	Side brackets with adjustable arms (solid ceilings) with provision for drop rod mounting
Control Gear	Electronic Driver
Colour Temperature (CCT)	4000K (Neutral White)
Colour Rendering Index (Ra)	>80
Maintenance	Via front cover, secured by pan head screws
Battery	Internal Ni-Cd (6V) [Emergency version only]
Emergency Duration	3 Hours (03L version = 18% output, 04L version = 12% output)
Ingress Protection	IP44 to EN60529 (front cover only)
Surge Protection	2kV
Electrical Supply	220-240V AC, 50/60Hz

## Features

- ◆ Highly **Energy Efficient**
- ◆ **Fully maintainable** with replaceable LED strips and driver
- ◆ Battery Monitoring and **automatic self test**
- ◆ **80,000 maintenance free hours** at 25°C (L70)

\*Appropriate insulation is required over the luminaire

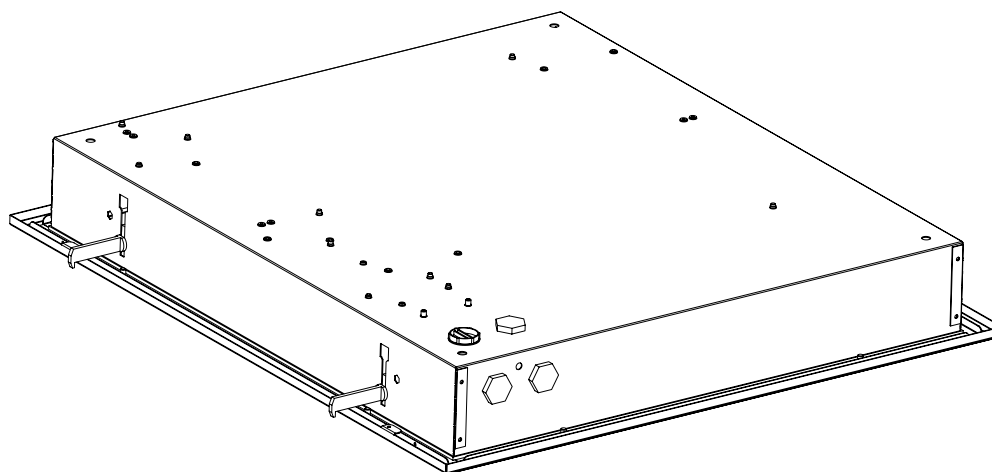
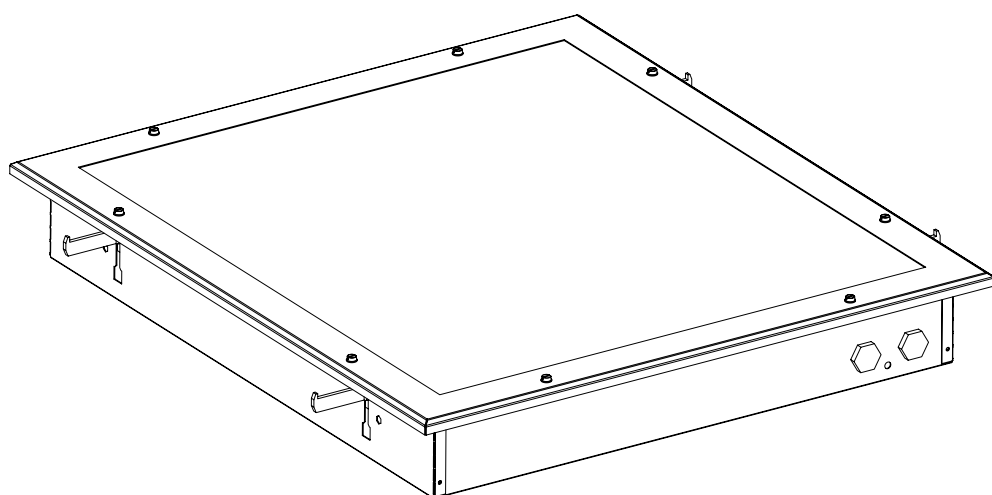
Product design and specifications are subject to change without notice. Please check the Chalmit website for latest specifications.

[www.chalmit.com](http://www.chalmit.com)

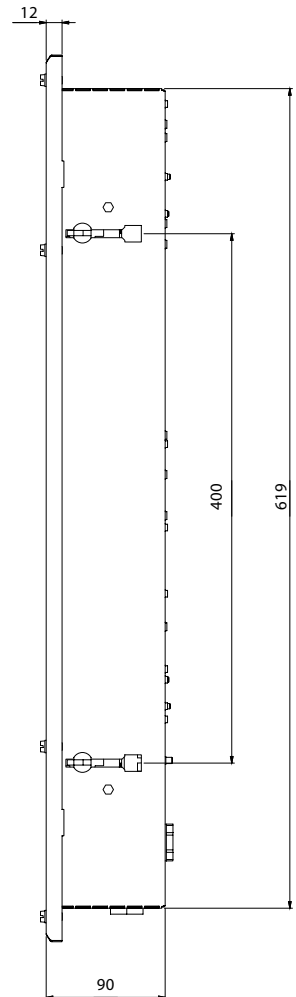
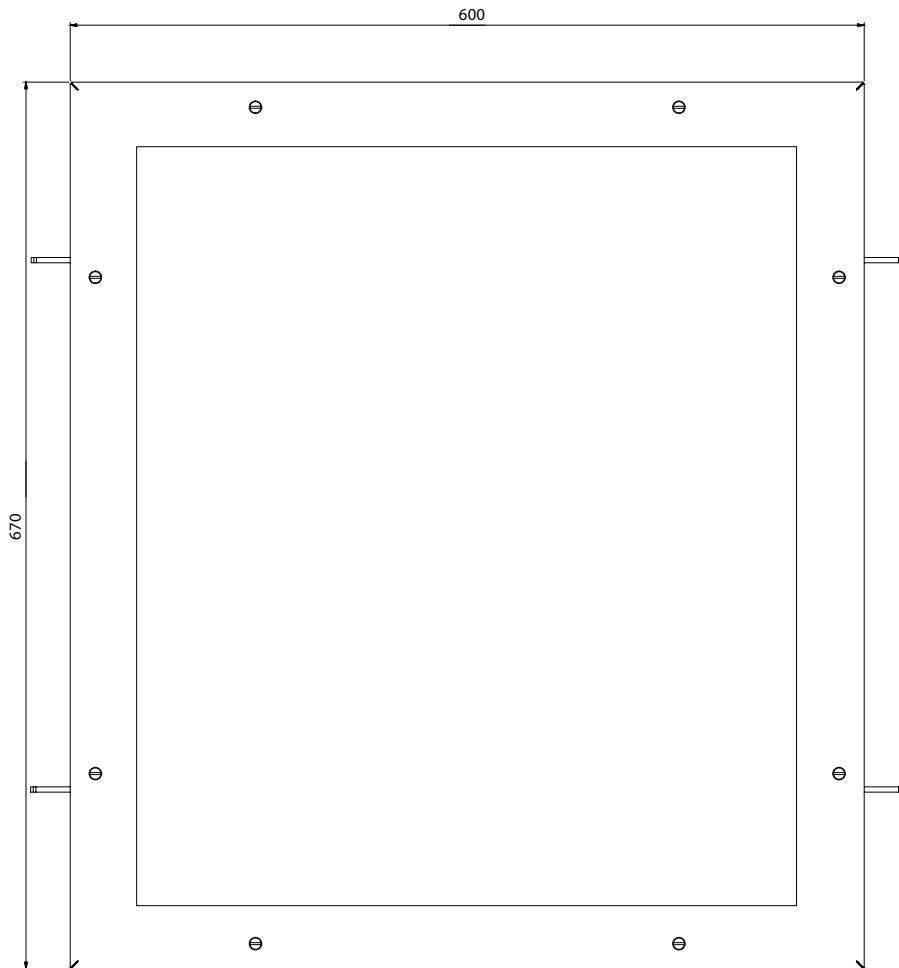
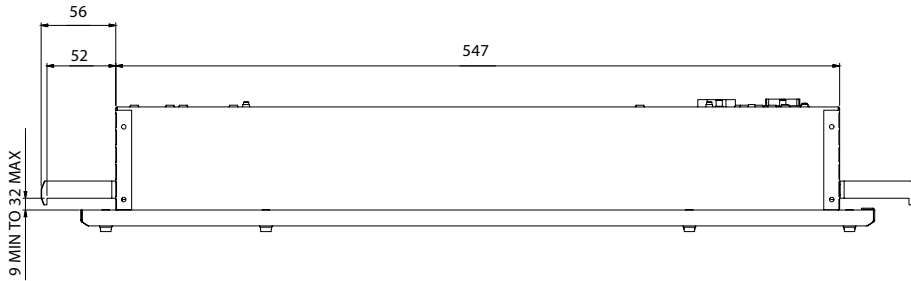
Std. Cat No.	Delivered Output	Power Consumption	Ambient °C	Weight
<b>CURI/03L/LE</b>	3107 lm	40W	-20 to +45	7.5kg
<b>CURI/04L/LE</b>	3950 lm	52W	-20 to +45	7.5kg
<b>CURI/03L/LE/EM</b>	3107 lm	42W	-20 to +40	8.0kg
<b>CURI/04L/LE/EM</b>	3950 lm	54W	-20 to +40	8.0kg

Options - Suffix to Catalogue No.

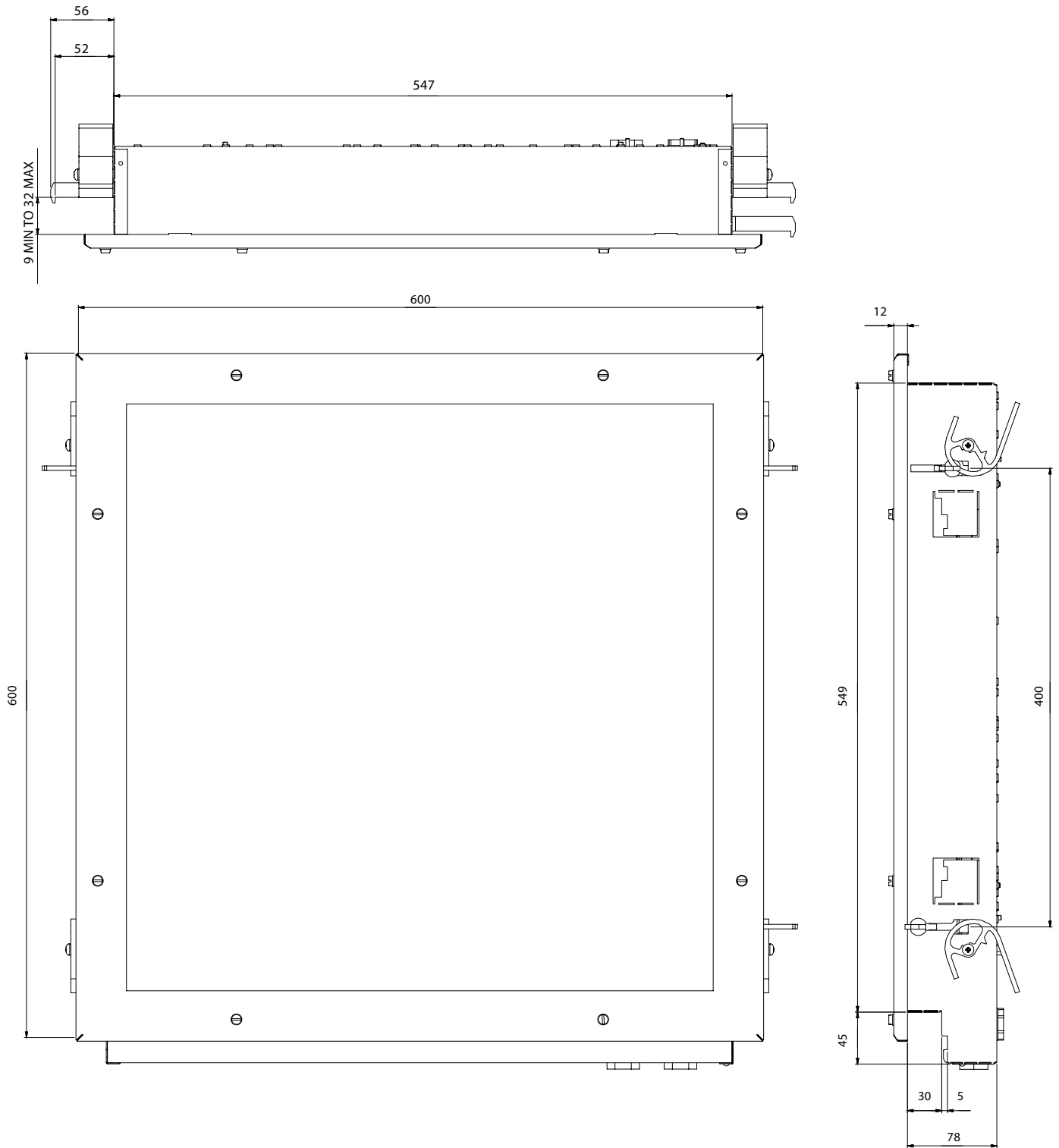
<b>/25</b>	25mm cable entries	<b>/DM</b>	DALI Dimmable Driver
<b>/SC</b>	Screwed connection terminal block (up to 6mm <sup>2</sup> conductors)	<b>/MES</b>	Modular - (Spring 'T' or Exposed 'T' ceiling types, including both cams and adjustable arms for mounting)
<b>/3K</b>	3000K (Warm White) LED Strips	<b>/SSC</b>	Stainless Steel Covers



CURI/0\*L/LE



CURI/0\*L/LE/MES





# ECLIPSE II

LED HighBay

The **Eclipse II** LED has been designed to make installation quick and simple. The lamp and gear chambers are separated for easy maintenance and require no special cable glands.

The luminaire also features a swing barrel nut system. This allows prior installation and wiring of the mounting base without the need to support the body and lamps. This unique design saves on both time and labour costs.



MADE IN  
BRITAIN

ERC CE

International Approvals

## Mounting Options

Floodlight. Pendant. Pole/Column. Wall. Medium Bay. Low Bay.

## Standard Specification

### Eclipse II Highbay

Enclosure	Painted aluminium body (RAL 7008) with glass globe
Entry	Up to 4 x M20 cable entries
Termination	3 core 6mm <sup>2</sup> max. conductor with looping
Installation	Surface mounted
Control Gear	Electronic Driver
Colour Temperature (CCT)	5000K (Cool White)
Colour Rendering Index (Ra)	>70
Maintenance	Barrel nut fastener
Ingress Protection	IP66
Surge Protection	4kV line to line, 6kV line to earth
Electrical Supply	120-254V AC 50/60Hz

## Features

- ◆ Highly **Energy Efficient**
- ◆ **Instant on** crisp white light output
- ◆ **Lower power consumption** than HID lamps
- ◆ Low temperature applications **to -40°C**
- ◆ **120,000** maintenance free hours at 25°C



Std. Cat No.	Delivered Output	Power Consumption	Ambient °C	Weight
<b>EC2I/06L/LE</b>	5842 lm	55W	-40 to +55	11.5kg
<b>EC2I/09L/LE</b>	8525 lm	80W	-40 to +55	12.0kg
<b>EC2I/12L/LE*</b>	12220 lm	100W	-40 to +55	12.0kg
<b>EC2I/16L/LE</b>	15630 lm	140W	-40 to +40	12.0kg

Options - Suffix to Catalogue No.

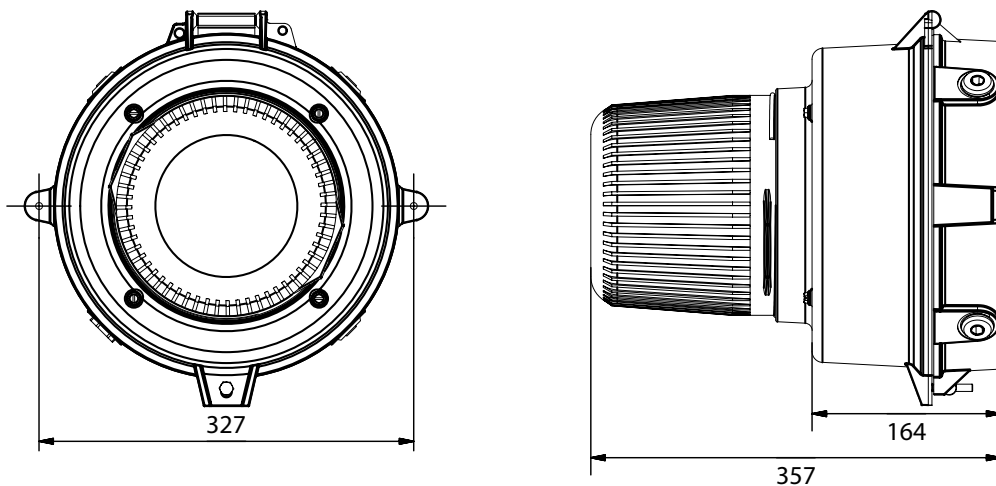
<b>/M25</b>	M25 Cable entries	<b>/SRG</b>	Surge protection (20kA and 10kV)*
<b>/WM</b>	Wall mounted version (with 2xM20 and 2xM25 entries)	<b>/ST</b>	Stanchion mounted version
<b>/PE</b>	Pendant mounted version (for M25 conduit)	<b>/ER</b>	Sealed spun reflector

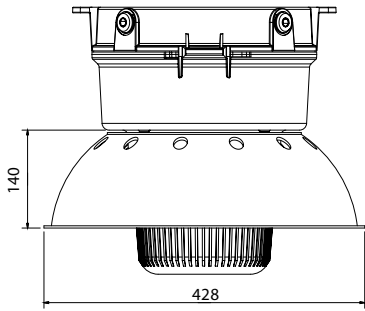
\* When using additional surge protection with EC2I/12L/LE please note that the maximum ambient reduces to +40°C.

**Accessories** *Accessories should be ordered separately*

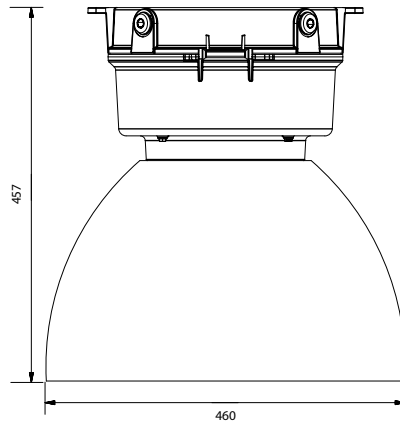
	Order Code
Wire guard for low wattage glass globe	<b>E0850-0042</b>
Wire guard for enclosed reflector	<b>E0850-0043</b>
Dome reflector	<b>SEC20-0001</b>
30° angled reflector	<b>SEC20-0002</b>

**EC2I/\*\*L/LE**

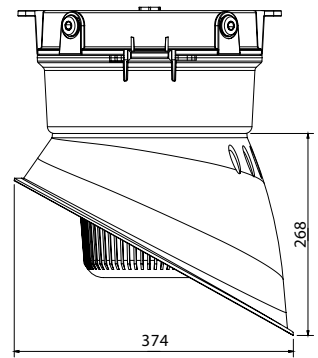




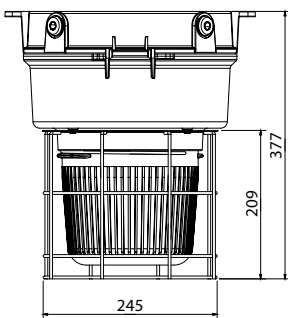
EC21/\*\*L/LE + SEC20-0001



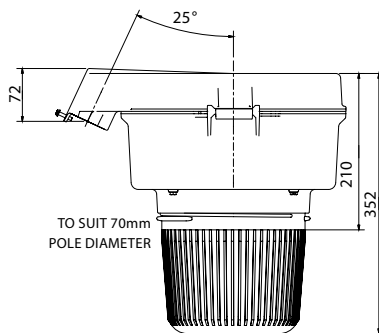
EC21/\*\*L/LE/ER



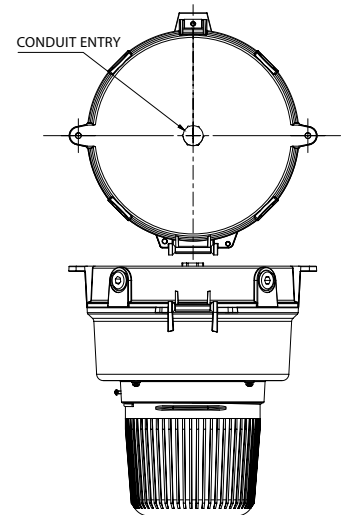
EC21/\*\*L/LE + SEC20-0002



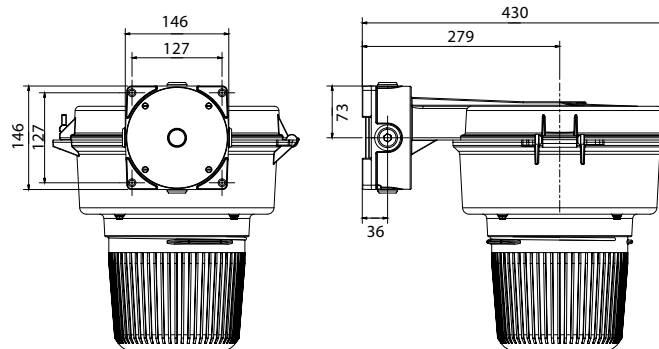
EC21/\*\*L/LE + E0850-0042



EC21/\*\*L/LE/ST



EC21/\*\*L/LE/PE



EC21/\*\*L/LE/WM



# STARLINE II

## LED STREETLIGHT



- Slim and elegant design
- Highly energy efficient
- Dark sky friendly, no upward light
- 130,000 maintenance free hours @ 25°C
- Lightweight and low windage



Reliable & versatile LED Streetlighting  
for industrial applications.



[www.chalmit.com](http://www.chalmit.com)





# ECLIPSE JUNIOR

LED Lowbay

A compact, highly energy efficient luminaire. Ideal for Industrial Applications, with an equivalent performance to a 70W HID luminaire.



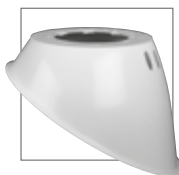
### Mounting Options

Pendant. Pole/Column. Wall. Medium Bay. Low Bay.

## Standard Specification

Eclipse Junior LED Lowbay

Enclosure	Painted aluminium body (smoked grey) with glass globe
Entry	2 x M20 cable entries
Termination	3 core 6mm <sup>2</sup> max. conductor with looping
Installation	Surface mounted
Control Gear	Electronic Driver
Colour Temperature (CCT)	5000K (Cool White)
Colour Rendering Index (Ra)	≥70
Maintenance	Barrel nut fastener
Ingress Protection	IP66
Surge Protection	4kV line to line, 6kV line to earth
Electrical Supply	110-277V AC 50/60Hz



Dome Reflector • Angled Reflector • Stanchion Mount • Wall Mount • Wire Guard

## Features

- ◆ Highly **Energy Efficient**
- ◆ **40% power savings** compared to equivalent 70W HPS lamps
- ◆ **Easy one bolt access** for installation
- ◆ **40% lighter** than our Eclipse II alternative
- ◆ Low temperature applications to **-40°C**
- ◆ **>100,000 maintenance free hours** at 25°C

Std. Cat No.	Delivered Output	Power Consumption	Ambient °C	Weight
<b>ECJI/05L/LE</b>	4827 lm	45W	-40 to +55	5.0kg

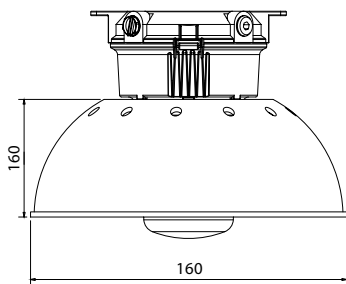
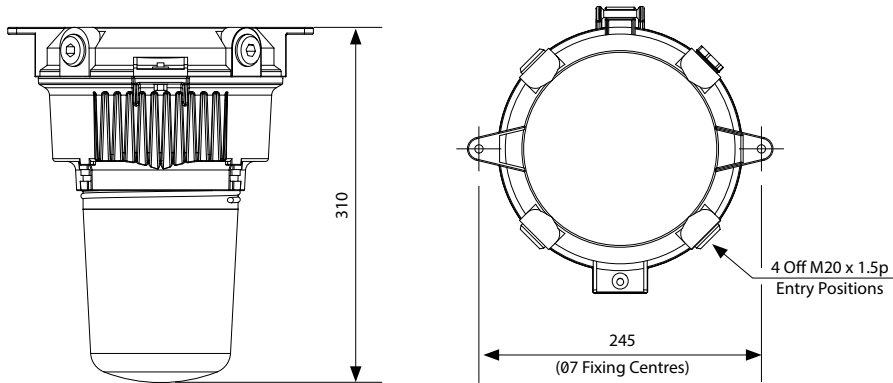
Options - Suffix to Catalogue No.

<b>/PE</b>	Pendant mount version (for M25 conduit)	<b>/WM</b>	Wall mount version
<b>/ST</b>	Stanchion mount version (to suit pole threaded 1¼ NPT)	<b>/4K</b>	4000K (Neutral White) LED Array
<b>/3K</b>	3000K (Warm White) LED Array		

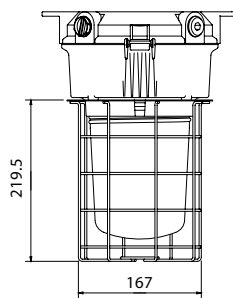
**Accessories** *Accessories should be ordered separately*

	Order Code
Wire guard (can be used with reflectors)	<b>E0850-0048</b>
Dome reflector	<b>SECL0-0001</b>
30° Angled reflector	<b>SECL0-0002</b>

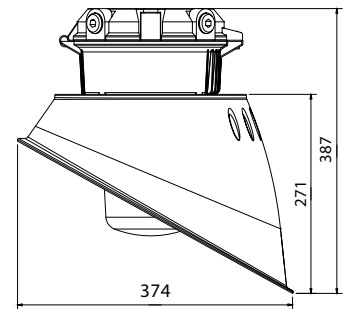
**ECJI/05L/LE**



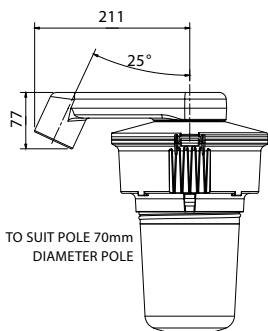
**ECJI/05L/LE + SECL0-0001**



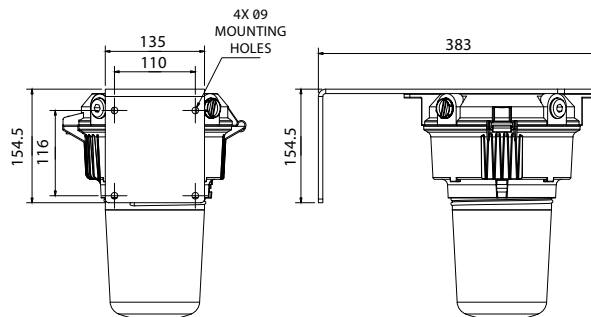
**ECJI/05L/LE + E0850-0048**



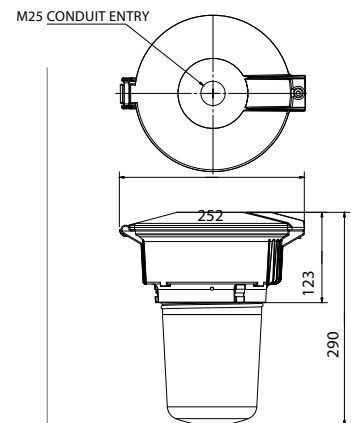
**ECJI/05L/LE + SECL0-0002**



**ECJI/05L/LE/ST**



**ECJI/05L/LE/WM**



**ECJI/05L/LE/PE**



# ORION

LED HighBay

The **Orion** LED Highbay is a versatile and cost effective luminaire designed to illuminate interior industrial spaces. It's simple design provides high quality economical lighting, available in either an 18,000 lumen or 27,000 lumen package.

The Orion has five different reflector options including clear acrylic, translucent white, opalescent acrylic and suspended bead, and a number of lens options to suit any application.



ERC CE

International Approvals

## Mounting Options

Pendant. Medium Bay. Low Bay.

## Standard Specification

Orion LED Highbay

Enclosure	Grey painted cast aluminium housing with clear acrylic reflector optic
Entry	2 x M20 cable entries on PL511 terminal box
Termination	3 core 6mm <sup>2</sup> max conductor with looping (within PL511 terminal box)
Installation	Stirrup mounting bracket
Control Gear	Electronic Driver
Colour Temperature (CCT)	5000K (Cool White)
Maintenance	4 screws on optic chamber cover
Ingress Protection	IP66 (optic chamber and terminal box), IP67 (driver)
Surge Protection	4kV
Electrical Supply	120-277V AC 50/60Hz



Clear Acrylic



Anodised Aluminium



Opalescent Acrylic



Suspended Bead



Translucent White

## Features

- ◆ Highly **Energy Efficient**
- ◆ **Instant on** crisp white light output
- ◆ **Lower power consumption** than HID lamps
- ◆ **Low temperature applications** to -40°C
- ◆ **120,000 maintenance free hours** at 25°C (L70)

Std. Cat No.	Delivered Output	Power Consumption	Ambient °C	Weight
ORII/18L/LE	18335 lm	167W	-40 to +50	6.8kg
ORII/27L/LE	26985 lm	255W	-40 to +40	6.8kg

Options - Suffix to Catalogue No.

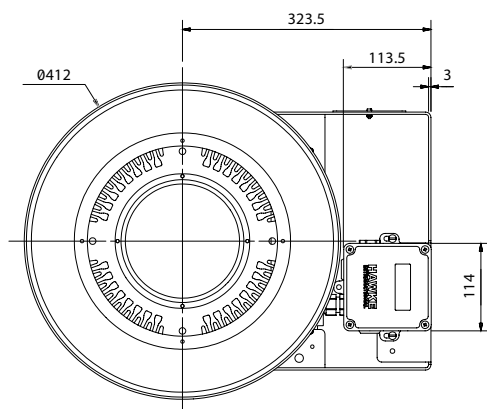
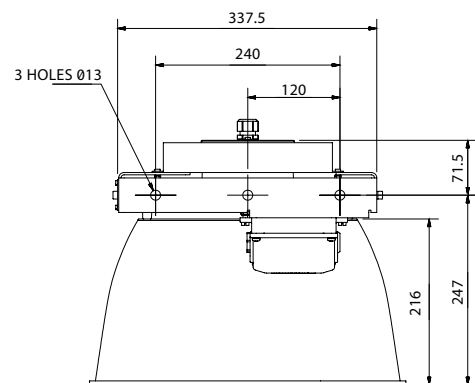
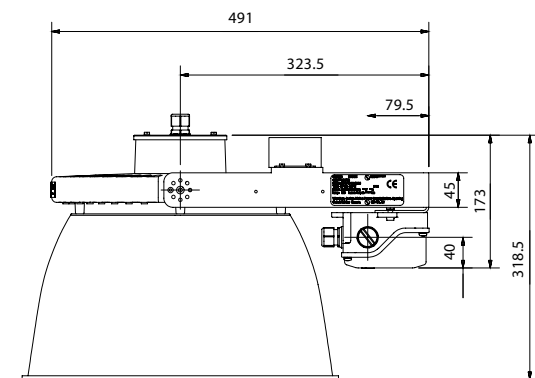
/WW	Translucent white reflector*	/AL	Anodised Aluminium reflector*
/OP	Opalescent acrylic reflector*	/SB	Suspended bead reflector*
/4K	4000K (Neutral White) LEDs	/NR	Without External Reflector

\*Reflectors are ordered in place of standard clear acrylic optic

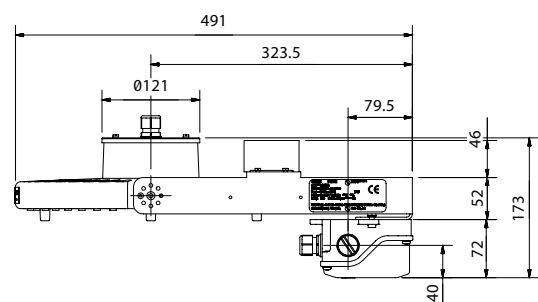
### Accessories *Accessories should be ordered separately*

	Order Code
Wire guard	<b>Please contact Chalmit sales for information</b>
Conical drop lens	
Dropped lens refractor	
Frosted acrylic lens	

### ORII/\*\*\*/LE



### ORII/\*\*\*/LE/NR







# ARRAN

LED Floodlight

Sleek and highly efficient, this reliable compact luminaire delivers a uniform photometric distribution and powerful performance of 130,000 maintenance free hours at 25°C.

An excellent temperature range of -50°C to +55°C makes the **Arran** a global lighting solution providing high output lighting at extreme temperatures.

The great versatility of this luminaire allows a variety of mounting options from pendant to stanchion covering a wide range of Industrial installations.



CE

International Approvals

## Mounting Options

Floodlight. Pendant. Pole/Column. High Bay.

## Standard Specification

Arran LED Floodlight

Enclosure	Aluminium alloy (6063 T6) with RAL 7040 epoxy powder finish
Entry	2 x M20 cable entries
Termination	3 core 6mm <sup>2</sup> max. conductor with looping
Installation	Stirrup mounting bracket
Control Gear	Electronic Driver
Colour Temperature (CCT)	5000K (Cool White)
Colour Rendering Index (Ra)	>70
Maintenance	M5 Slotted Screws
Ingress Protection	IP66
Surge Protection	4kV line to line, 6kV line to earth
Electrical Supply	120-277V AC 50/60Hz 127-250V DC

## Features

- ◆ Highly **Energy Efficient**
- ◆ **Instant on** crisp white light output
- ◆ **Lower power consumption** than HID lamps
- ◆ **Low temperature applications** to -50°C
- ◆ **130,000 maintenance free hours** at 25°C



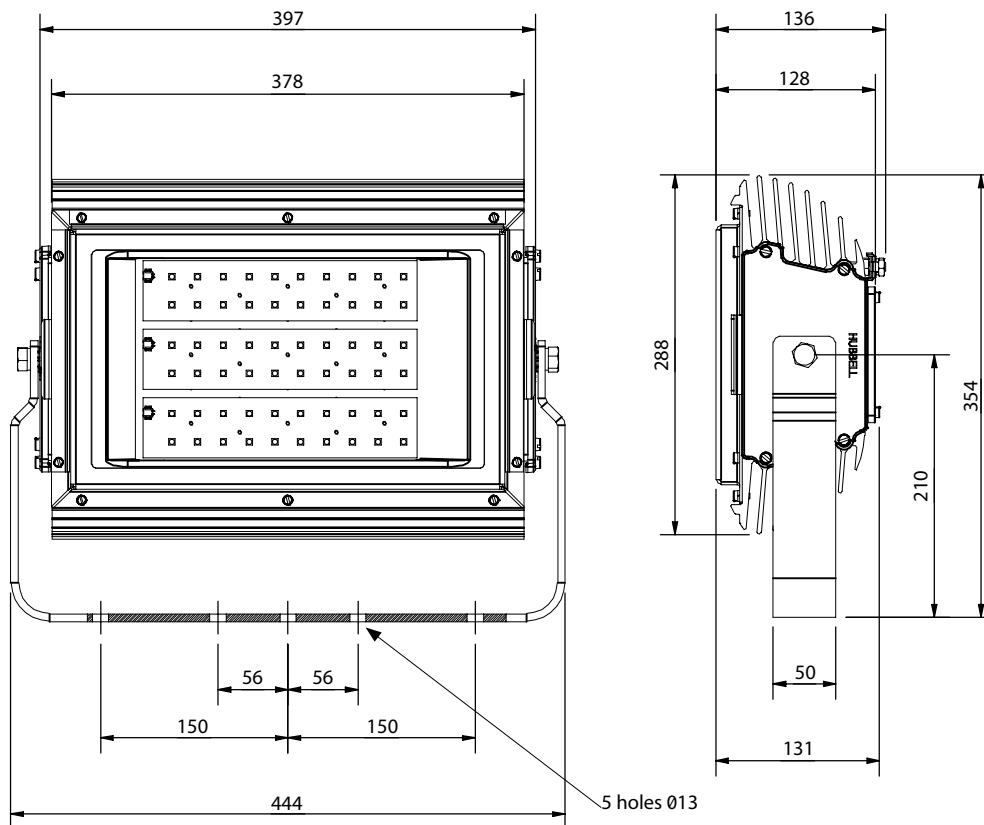
Std. Cat No.	Delivered Output	Power Consumption	Ambient °C	Weight
ARRI/06L/LE	7321 lm	54W	-50 to +55	13kg
ARRI/10L/LE	9843 lm	74W	-50 to +55	13kg
ARRI/11L/LE	11752 lm	88W	-50 to +55	13kg
ARRI/15L/LE	17273 lm	130W	-50 to +55	13kg

Options - Suffix to Catalogue No.

/M25	M25 Cable entries	/DM	DALI Dimmable Driver
------	-------------------	-----	----------------------

### Accessories *Accessories should be ordered separately*

	Order Code
Wire guard	SARR1-0001
Anti Glare Shield	SARR1-0002
Pole Mounting Bracket Assembly	S2400-0002





# ARRAN H/O

Industrial LED Floodlight

The industrial **Arran High Output** is a powerful LED floodlight delivering a uniform photometric distribution, whilst providing a comparable output to traditional high wattage HID floodlights.

An impressive performance of 90,000 maintenance free hours at 25°C, coupled with an extensive temperature range from -50°C up to +55°C makes the Arran H/O a truly global lighting solution.

The great versatility of this luminaire allows a variety of mounting options covering a wide range of Industrial installations.



ERAC CE

International Approvals

## Mounting Options

Floodlight. Pole/Column. Pendant. High Bay.

## Standard Specification

Arran High Output LED Floodlight

Enclosure	Aluminium alloy (1050A H14) with RAL 7040 epoxy powder finish
Entry	2 x 20mm clearance holes
Termination	3 core 6mm <sup>2</sup> max. conductor with looping
Installation	Stirrup mounting bracket
Control Gear	Electronic Driver
Colour Temperature (CCT)	5000K (Cool White)
Colour Rendering Index (Ra)	>70
Maintenance	M5 Slotted Screws
Ingress Protection	IP66
Surge Protection	4kV line to line, 6kV line to earth
Electrical Supply	120-277V AC 50/60Hz 140-273V DC

## Features

- ◆ Highly **Energy Efficient**
- ◆ **Instant on** crisp white light output
- ◆ **Lower power consumption** than HID lamps
- ◆ **Lower temperature applications** to -50°C
- ◆ **90,000 maintenance free hours** at 25°C

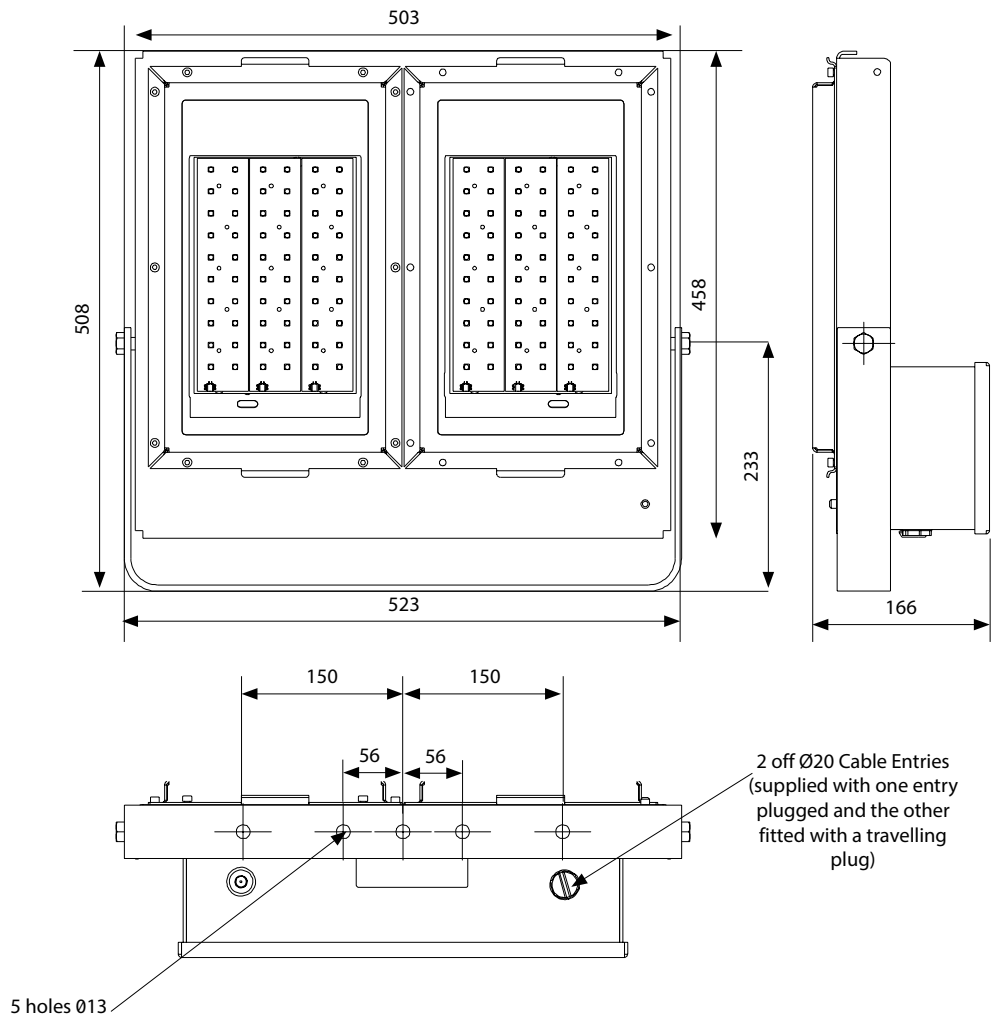
Std. Cat No.	Delivered Output	Power Consumption	Ambient °C	Weight
ARHI/22L/LE	23243 lm	172W	-50 to +40	14kg
ARHI/31L/LE	34420 lm	254W	-50 to +40	14kg
ARHI/40L/LE	45963 lm	390W	-50 to +40	14kg

Options - Suffix to Catalogue No.

<b>/25</b>	25mm cable entries	<b>/SRG</b>	Surge Protection (20kA and 10kV)
<b>/HT</b>	High Temperature to +55°C (40L output reduces at high ambient to prolong LED and Driver life)		

**Accessories** *Accessories should be ordered separately*

	Order Code
Wire Guard (2 required per floodlight)	<b>SARR1-0001</b>
Anti Glare Shield	<b>SAH04-0001</b>
Pole Mounting Bracket Assembly	<b>S2400-0002</b>





# SOLAS

LED Floodlight

The unique characteristics of the **Solas** offers a versatile luminaire with 100% output in Emergency mode. Built of marine grade aluminium, this robust luminaire is suitable for the harshest of global environments.

Utilising ultra bright LED's the Solas produces a more focused light well suited to illuminating safety critical areas in an emergency situation. A manually operated remote inhibition facility is available on all emergency versions. With a self contained battery, it can be used for backup emergency lighting in maintained or non-maintained modes.



## Mounting Options

Floodlight. Pendant. Bulkhead. High Bay. Pole/Column. Road Lighting.

## Standard Specification

Solas LED Floodlight

Enclosure	Aluminium alloy LM6 with toughened glass window. All fastenings 316 stainless steel
Entry	2x M20 cable entries - Non-emergency: looping for 4mm <sup>2</sup> cable Emergency: single entry only for 4mm <sup>2</sup> cable
Termination	4 core 4mm <sup>2</sup> max.
Installation	Stirrup mounting bracket
Control Gear	Electronic Driver
Colour Temperature (CCT)	5000K (Cool White)
Colour Rendering Index (Ra)	>70
Maintenance	M10 SKT HD Screws
Battery	Internal Ni-Cd (21.6V) [Emergency only]
Emergency Duration	90 minutes (100% output) Maintained as standard
Ingress Protection	IP66/67 to EN 60529
Surge Protection	4kV
Electrical Supply	220-254V AC 50/60Hz

## Features

- ◆ Highly **Energy Efficient**
- ◆ **Emergency** inhibition
- ◆ **Low** ambient temperatures
- ◆ No re-lamping required - **over 60,000 hours continuous operation**
- ◆ **Non-Maintained** or **Maintained** modes
- ◆ **Comparable with 100W HPS floodlight**

Std. Cat No.	Delivered Output	Power Consumption	Ambient °C	Weight
<b>SOLI/034/LE</b>	6057 lm	62W	-55 to +55	24.0kg
<b>SOLI/034/LE/EM</b>	6057 lm	73W	-20 to +45	29.0kg

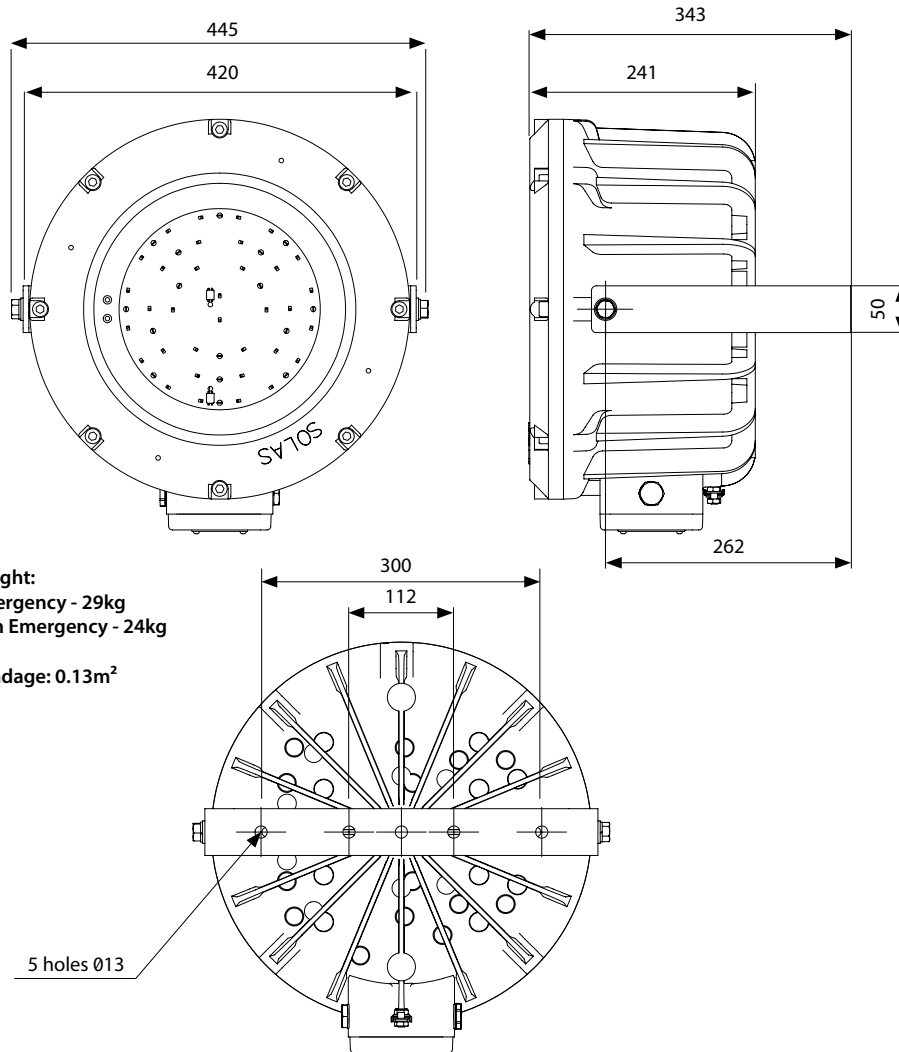
Options - Suffix to Catalogue No.

<b>/M25</b>	M25 Cable entries	<b>/3H</b>	3 hour battery duration (50% output)
<b>/EP</b>	Painted	<b>/SC</b>	Screwed connections
<b>/N</b>	Narrow beam		• Non emergency version: looping for up to 6mm <sup>2</sup> cable
<b>/NM</b>	Non maintained Emergency (Ambient becomes -20°C to +55°C, with 11W power cons.)		• Non maintained emergency: single entry only for up to 6mm <sup>2</sup> cable
<b>/LT</b>	Low temperature to -55°C (Emergency only)		• Maintained emergency version: screwed connections not available
<b>/120</b>	110-130V AC Supply		

**Accessories** *Accessories should be ordered separately*

	Order Code
Wire Guard	<b>S2610-0005</b>
Pole Mounting Bracket (42-64mm diameter poles)	<b>S2400-0002</b>

Remote switches are available upon request, please contact Chalmit® sales.



Weight:  
Emergency - 29kg  
Non Emergency - 24kg

Windage: 0.13m<sup>2</sup>



# HDN106N

LED Floodlight

The **HDN106N** is an outstanding luminaire, with a variety of beam options to suit any industrial application.

Up to four modules can be interlinked to increase the output without impacting on the product performance, and provide an effective replacement for conventional HID floodlights, up to 250W.



CE

International Approvals

## Mounting Options

Floodlight. Pendant. Bulkhead. High Bay. Pole/Column. Road Lighting.

## Standard Specification

### HDN106N LED Floodlight

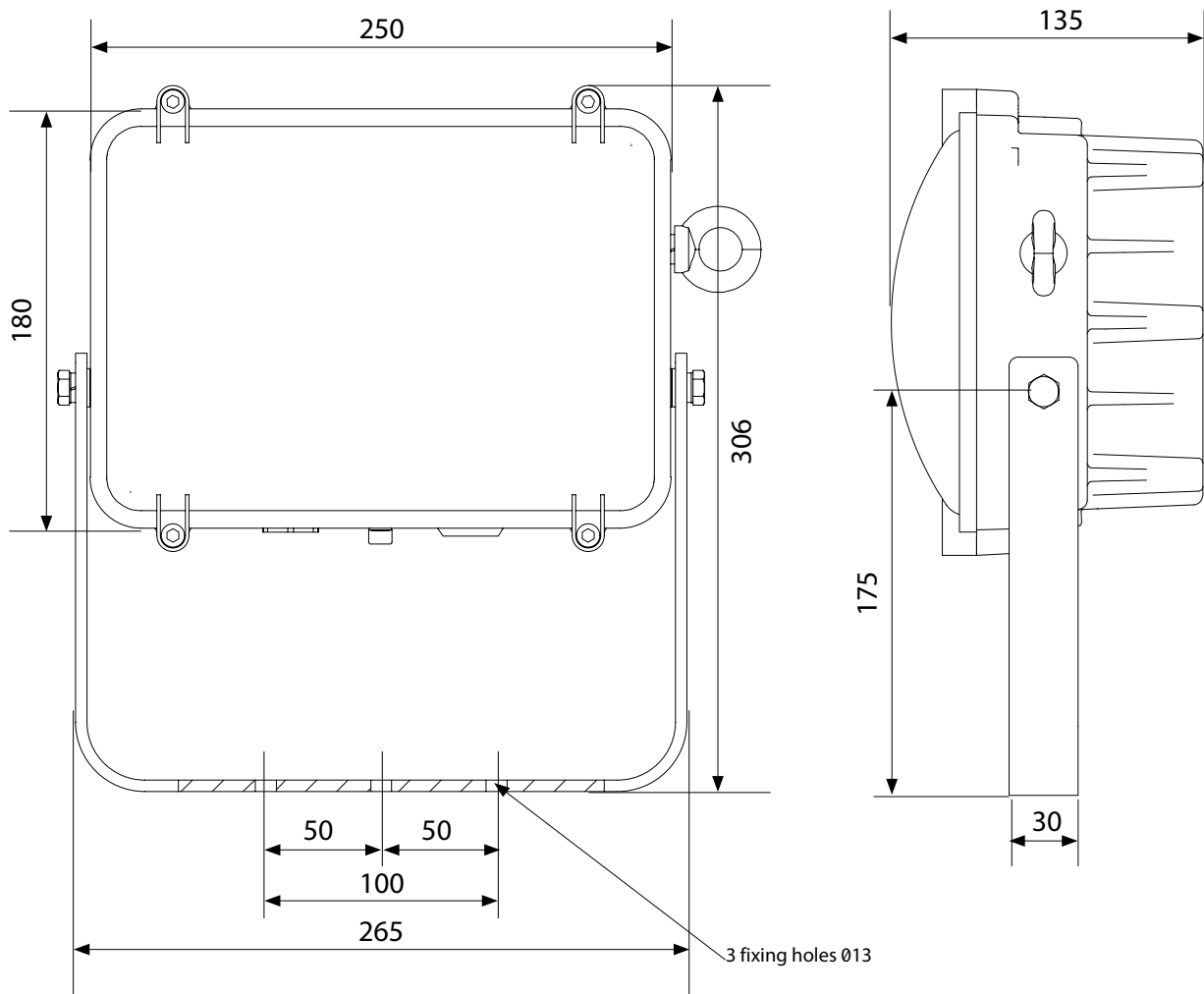
Ambient °C	-20 to +55
Enclosure	LM6 Aluminium with epoxy powder finish (RAL 7035) and Polycarbonate diffuser
Entry	2 x M20 cable entries
Termination	3 core 4mm <sup>2</sup> max. conductor with looping
Installation	Stirrup mounting bracket
Control Gear	Electronic Driver
Colour Temperature (CCT)	Refer to Ordering Matrix
Colour Rendering Index (Ra)	>70
Maintenance	M8 Hex Head and M6 SKT Head
Ingress Protection	IP66/67 to EN 60529
Surge Protection	4kV line to line, 6kV line to earth
Electrical Supply	Refer to Ordering Matrix

## Features

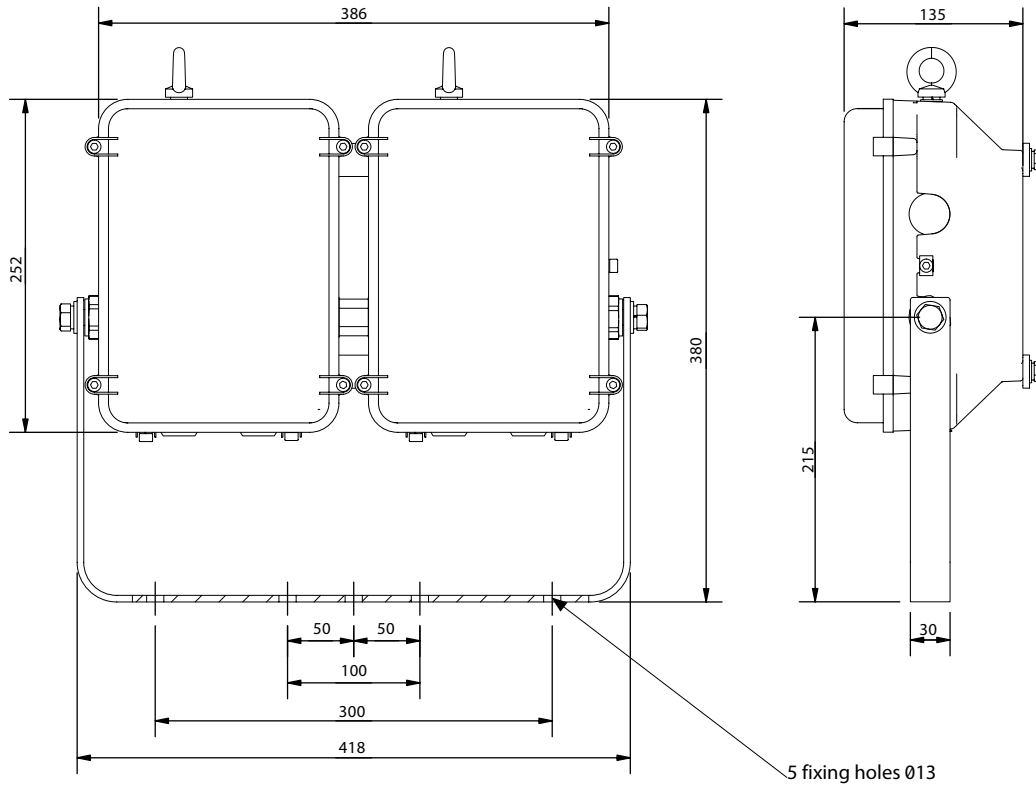
- ◆ Highly **Energy Efficient**
- ◆ **Instant on** crisp white light output
- ◆ **Modular design** allowing up to four interlinked luminaires, each providing a delivered output > 5500lm
- ◆ **>150,000 maintenance free hours** at 25°C (L70)
- ◆ **Lower power consumption** than HID lamps
- ◆ **Lightweight** (6kg per module) lighting solution
- ◆ **80,000 maintenance free hours** at 25°

HDN106N						
Version*	Voltage	Beam Pattern**	Mount	Light (CCT)	Cable Entries	Other Options
<ul style="list-style-type: none"> <li>0 – 24 LEDs [26W]</li> <li>1 – 48 LEDs [43W]</li> <li>2 – 96 LEDs [87W]</li> <li>3 – 144 LEDs [129W]</li> <li>4 – 192 LEDs [174W]</li> </ul>	<ul style="list-style-type: none"> <li>H – 100-254V AC</li> <li>L – 18-54V AC/DC</li> </ul>	<ul style="list-style-type: none"> <li>N – Narrow (6565lm)</li> <li>M – Medium (5882lm)</li> <li>W – Wide (5624lm)</li> <li>X – Extra Wide (5547lm)</li> </ul>	<ul style="list-style-type: none"> <li>H – Horizontal Mount [single unit]</li> <li>V – Vertical Mount [multiple units]</li> <li>C – Ceiling Mount</li> </ul>	<ul style="list-style-type: none"> <li>W – Cool White (5000K)</li> <li>X – Warm White (3000K)</li> </ul>	<ul style="list-style-type: none"> <li>0 – M20</li> <li>5 – M25</li> </ul>	<ul style="list-style-type: none"> <li>04 – RAL 7035 (Grey)</li> <li>FG – Glass front cover</li> </ul>
<p>*Power consumption provided in square brackets                  **Delivered outputs based on single module 48LED version</p>				<p>Typical ordering reference: <b>HDN106N1HWHW004</b></p>		

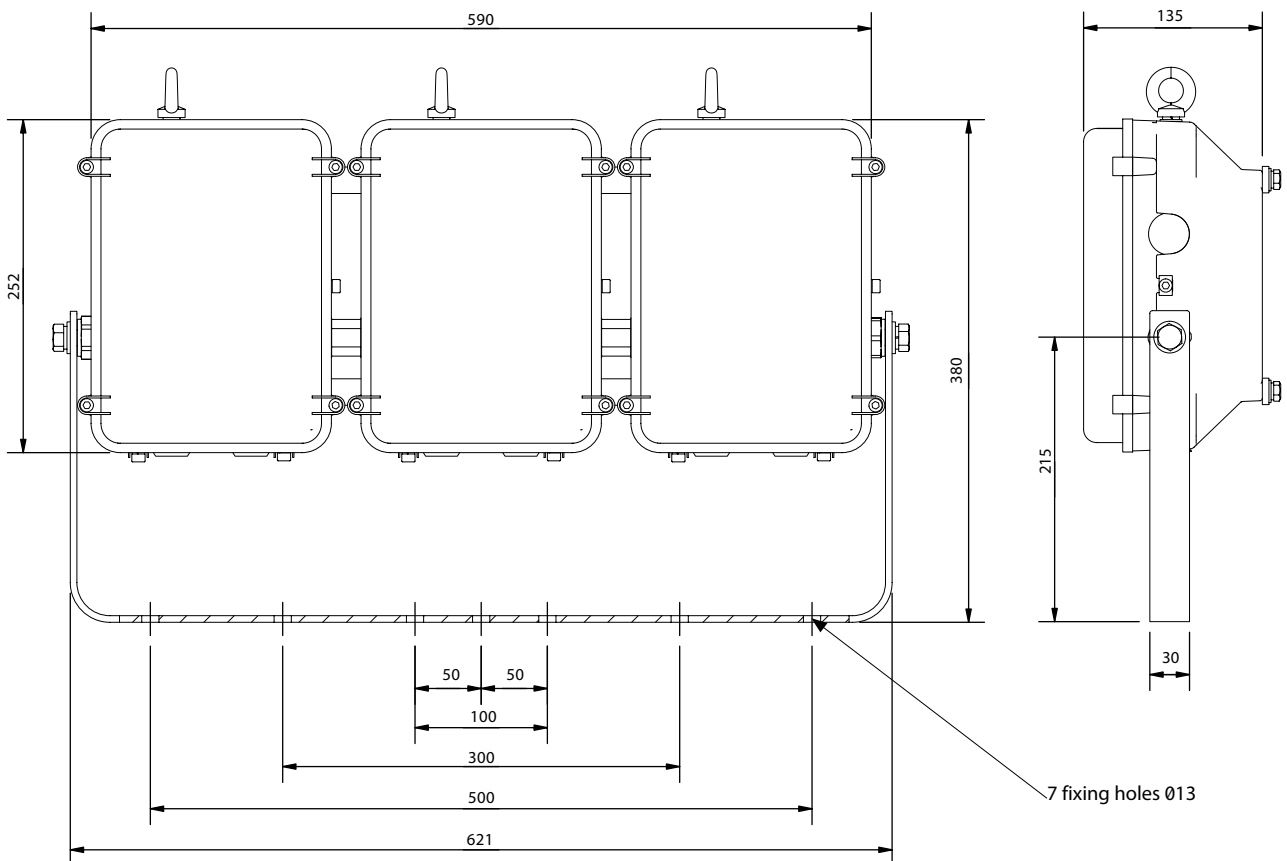
Single unit (24/48 LEDs)



### Double unit (96 LEDs)

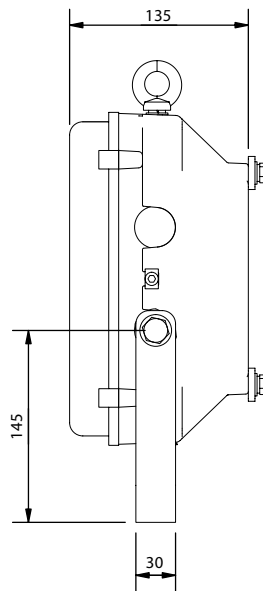
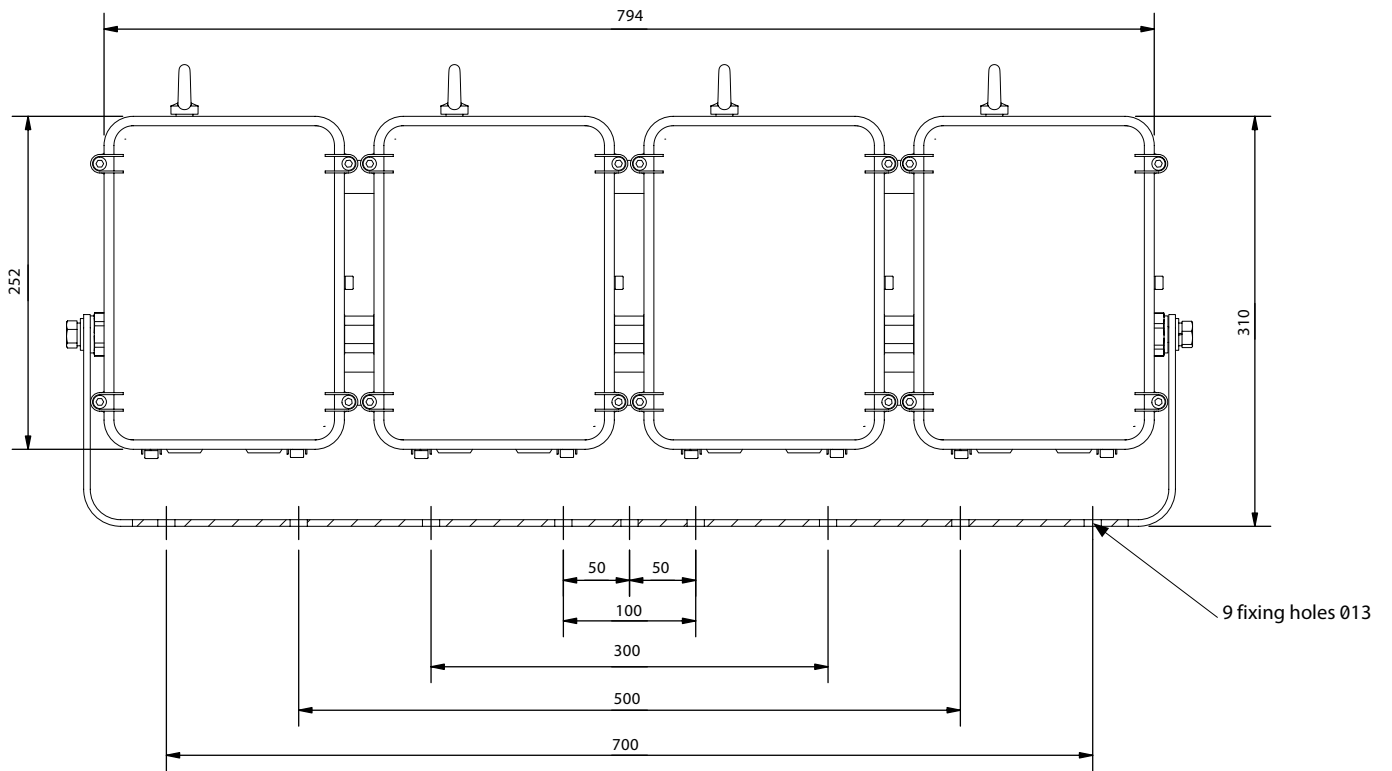


### Triple unit (144 LEDs)





Quadruple unit (192 LEDs)





# HDN106NE

LED Floodlight

The **HDN106NE** is a distinctive Emergency LED luminaire allowing up to three modules interlinked, providing an effective and efficient replacement to traditional battery-backed luminaires.

With a wide ambient range and multiple beam options available, this is a truly global industrial solution for any application where Emergency lighting is required for a period of 90mins or 3hrs.



CE

International Approvals

## Mounting Options

Floodlight. Pendant. Bulkhead. High Bay. Pole/Column. Road Lighting.

## Standard Specification

HDN106NE LED Floodlight

Ambient °C	-20 to +55
Enclosure	LM6 Aluminium with epoxy powder finish (RAL 7035) and Polycarbonate diffuser
Entry	2 x M20 cable entries
Termination	3 core 4mm <sup>2</sup> max. conductor with looping
Installation	Stirrup mounting bracket
Control Gear	Electronic Driver
Colour Temperature (CCT)	Refer to Ordering Matrix
Colour Rendering Index (Ra)	>70
Maintenance	M8 Hex Head and M6 SKT Head
Emergency Duration	90mins (75%) or 3hrs (37.5%)
Ingress Protection	IP66/67 to EN 60529
Surge Protection	4kV line to line, 6kV line to earth
Electrical Supply	100-254V AC 50/60Hz

## Features

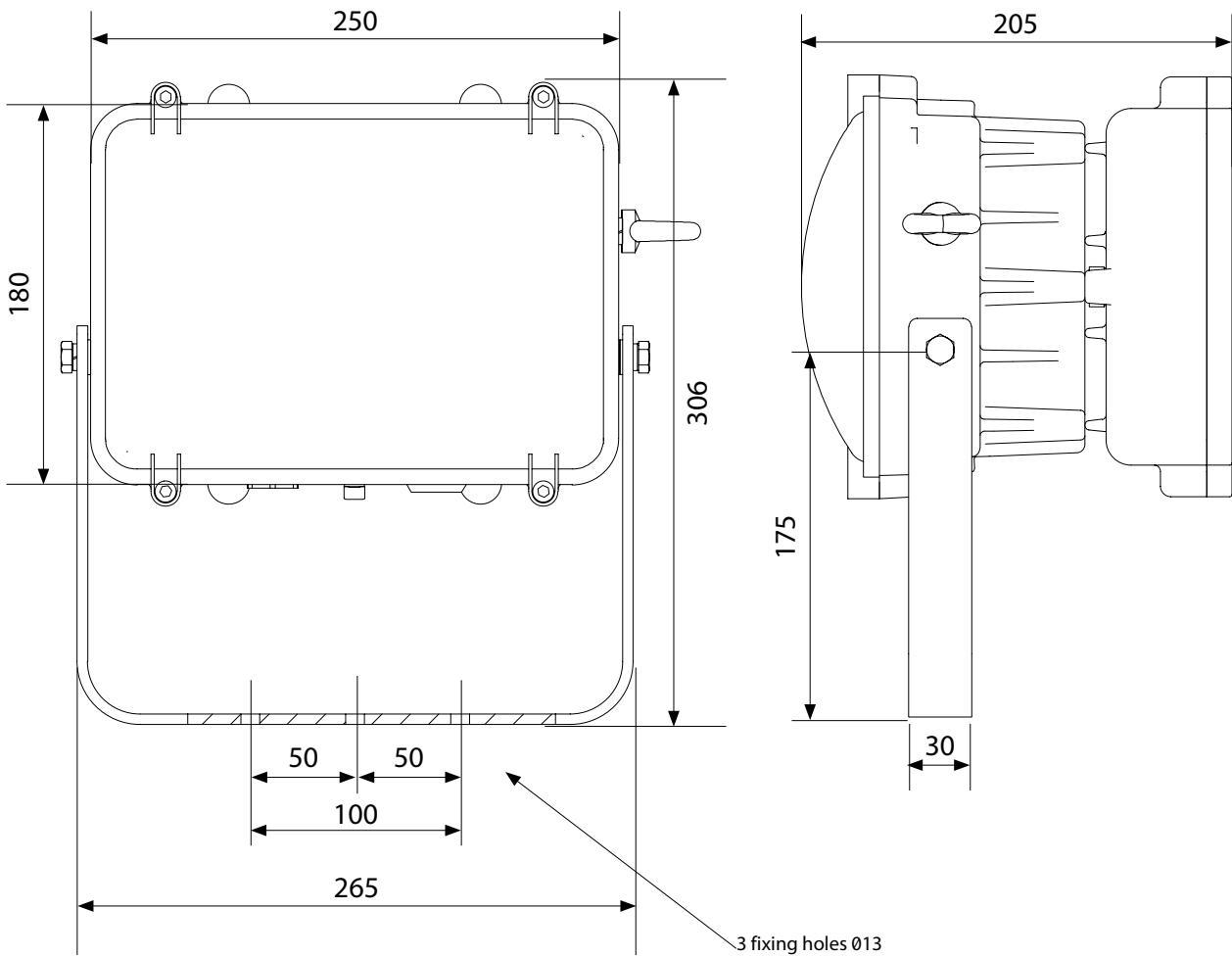
- ◆ Highly **Energy Efficient**
- ◆ **Modular design** allowing up to three interlinked luminaires, each providing a delivered output > 5500lm
- ◆ **Instant on** crisp white light output
- ◆ **>150,000 maintenance free hours** at 25°C (L70)
- ◆ **Lower power consumption** than HID lamps
- ◆ **Lightweight** (9kg per Emergency module) lighting solution
- ◆ **80,000 maintenance free hours** at 25°C

HDN106NE				
Version*	Beam Pattern**	Light (CCT)	Cable Entries	Other Options
<b>E</b> – EM (48 LEDs) [62W]	<b>N</b> – Narrow (6565lm)	<b>W</b> – Cool White (5000K)	<b>0</b> – M20	<b>04</b> – RAL 7035 (Grey)
<b>ES</b> – EM/Std (96 LEDs) [107W]	<b>M</b> – Medium (5882lm)	<b>X</b> – Warm White (3000K)	<b>5</b> – M25	<b>FG</b> – Glass front cover
<b>EE</b> – EM/EM (96 LEDs) [124W]	<b>W</b> – Wide (5624lm)			
<b>SES</b> – Std/EM/Std (144 LEDs) [148W]	<b>X</b> – Extra Wide (5547lm)			
<b>ESE</b> – EM/Std/EM (144 LEDs) [167W]				
<b>EEE</b> – EM/EM/EM (144 LEDs) [186W]				

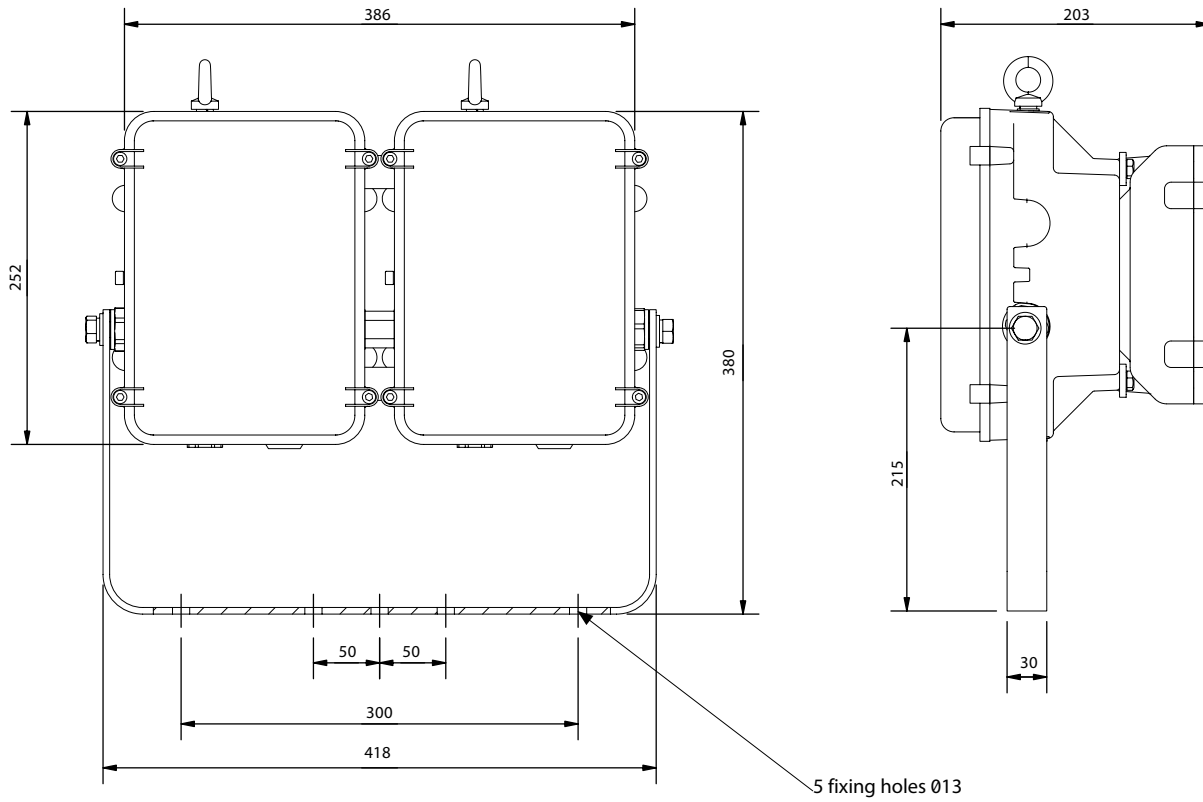
\*Power consumption provided in square brackets  
 \*\*Delivered outputs based on single module 48LED version

Typical ordering reference: **HDN106NEMW004**

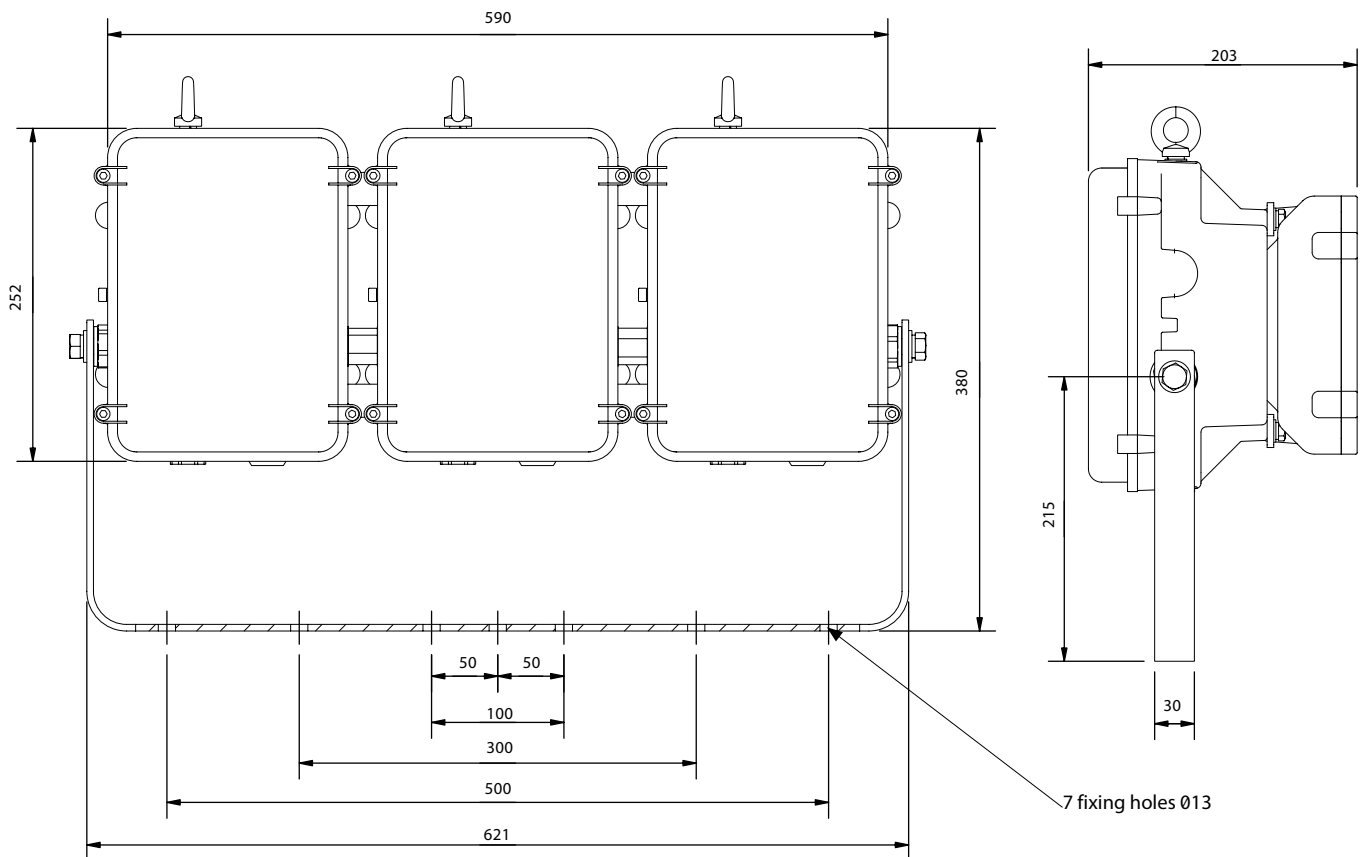
Single unit (48 LEDs)



Double unit (96 LEDs)



Triple unit (144 LEDs)



# EA ENCLOSURES

- Use in Zones 1/21 & 2/22
- Radical sloped face design
- Unmatched corrosion resistance
- Faster Installation
- Easy Inspection
- Retrofit options
- Drop Restraint feature
- Internationally Approved

Simplify your Engineering Projects with **BoxHUBB**



**BoxHubb** is Hawke's fast, free and simple solution for configuring enclosures online. Use **BoxHubb** for a fast, accurate, and globally accessible way to making your Enclosure design process faster than ever before. Go to [www.ehawke.com/designhubb](http://www.ehawke.com/designhubb)



# NexLED

LED Bulkhead

The **NexLED** delivers an instant bright white light. Designed for low profile applications, the bulkhead can be mounted on walls, handrails and ceilings making it ideal for walkways or restricted height areas.

The **NexLED** emergency option provides emergency battery backup to ensure continued operation in the event of a power outage. Benefits from the same features as the standard NexLED with a 3 hour duration in Emergency mode.



MADE IN  
BRITAIN

CE

International Approvals

## Mounting Options

Ceiling. Wall. Recessed. Pole/Stanchion. Bulkhead.

## Standard Specification

NexLED LED Bulkhead

Enclosure	Aluminium LM6 body, RAL-9005 black epoxy polyester paint finish with toughened glass and silicone gasket
Reflector	Brushed aluminium
Entry	3 x M20 cable entries
Termination	3 core 4mm <sup>2</sup> max conductor with looping [4 core on Emergency]
Installation	Surface mounted, 4 mounting holes located outside of seal
Control Gear	Electronic Driver
Colour Temperature (CCT)	4100K (Neutral White)
Colour Rendering Index (Ra)	>60
Maintenance	M6 Slotted Screws
Battery	Internal NiMH (201-6V, 801-10.8V) [Emergency only]
Emergency Duration	3 Hours (100% output)
Ingress Protection	IP66/67 to EN 60529
Surge Protection	4kV
Electrical Supply	120-240V AC 50/60HZ 220-254V AC 50/60Hz [Emergency only]

## Features

- ◆ Highly **Energy Efficient**
- ◆ Highly visible, **instant light**
- ◆ **Easy to install** and maintain
- ◆ Very low **power consumption**
- ◆ **100% output in emergency mode** (up to 3 hours)
- ◆ **Ultra long life** no re-lamping required
- ◆ Over **60,000 hours\*** continuous operation

\* 60,000 hours expected at 40°C ambient (L70/B10)

Std. Cat No.	Delivered Output	Power Consumption	Ambient °C	Weight
NELI/201/LE	168 lm	6.5W	-20 to +45	3.5kg
NELI/801/LE	671 lm	10W	-20 to +45	3.5kg
NELI/201/LE/EM	168 lm	6W	-20 to +45	4.1kg
NELI/801/LE/EM	671 lm	15W	-20 to +45	4.1kg

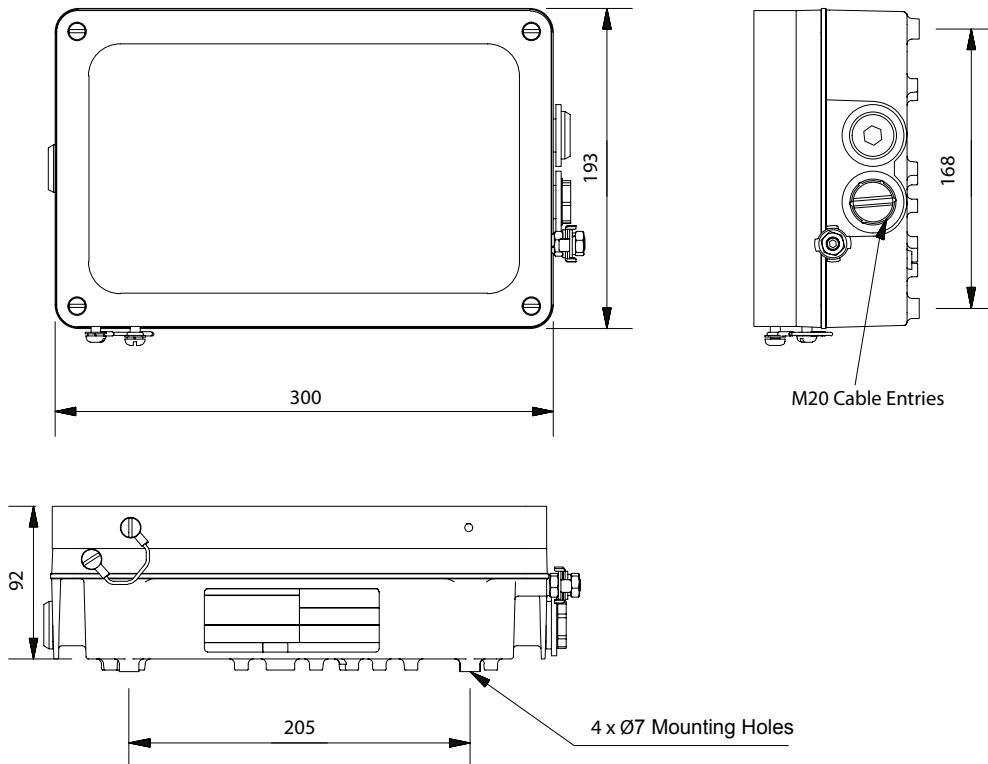
Options - Suffix to Catalogue No.

/GDE	Green LED's (should not be used in combination with Exit sign)
------	--

**Accessories** *Accessories should be ordered separately*

	Order Code
Standard Exit Sign Kit (supplied with up, down, left and right labels*)	SNEL1-0008
Canadian Exit Sign Kit (supplied with up, down, left and right labels*)	SNEL1-100272

\* Refer to NexLED Exit Kit page for further information. Other signage options available upon request, please contact Chalmit Internal sales.





# NEVIS

LED Bulkhead

The **NexLED** delivers an instant bright white light equivalent to a 70W HPS. Designed for low profile applications, the luminaire can be mounted on walls, handrails and ceilings as a wellglass making it ideal for walkways or restricted height areas.

A side mounted terminal chamber allows for flush mounting and ease of installation. Its excellent temperature range of -50°C to +55°C makes it a global lighting solution providing high quality lighting at extreme temperatures.



### Mounting Options

Ceiling. Wall. High Bay. Pole/Stanchion. Bulkhead. Wellglass.

## Standard Specification

Nevis LED Floodlight

Enclosure	Aluminium alloy LM6 to BS 1490 (AC44100) All fastenings A4 stainless steel Toughened glass dome cover
Entry	2x M20 cable entries
Termination	3 core 6mm <sup>2</sup> max. conductor with looping
Installation	Flush mounting bracket
Control Gear	Electronic Driver
Colour Temperature (CCT)	5650K (Cool White)
Colour Rendering Index (Ra)	>70
Maintenance	Access via hinged front glass cover assembly
Ingress Protection	IP66 to EN 60529
Surge Protection	4kV
Electrical Supply	100-277V AC 50/60 Hz 110-390V DC

## Features

- ◆ Highly **Energy Efficient**
- ◆ **Compact** construction
- ◆ **IP68** version available
- ◆ **Lower power consumption** than HID lamps
- ◆ Low temperature applications **to -55°C**
- ◆ **60,000 maintenance free hours** 70% initial lumens



Std. Cat No.	Delivered Output	Power Consumption	Ambient °C	Weight
<b>NEVI/052/LE</b>	4058 lm	49W	-55 to +55	12.5kg

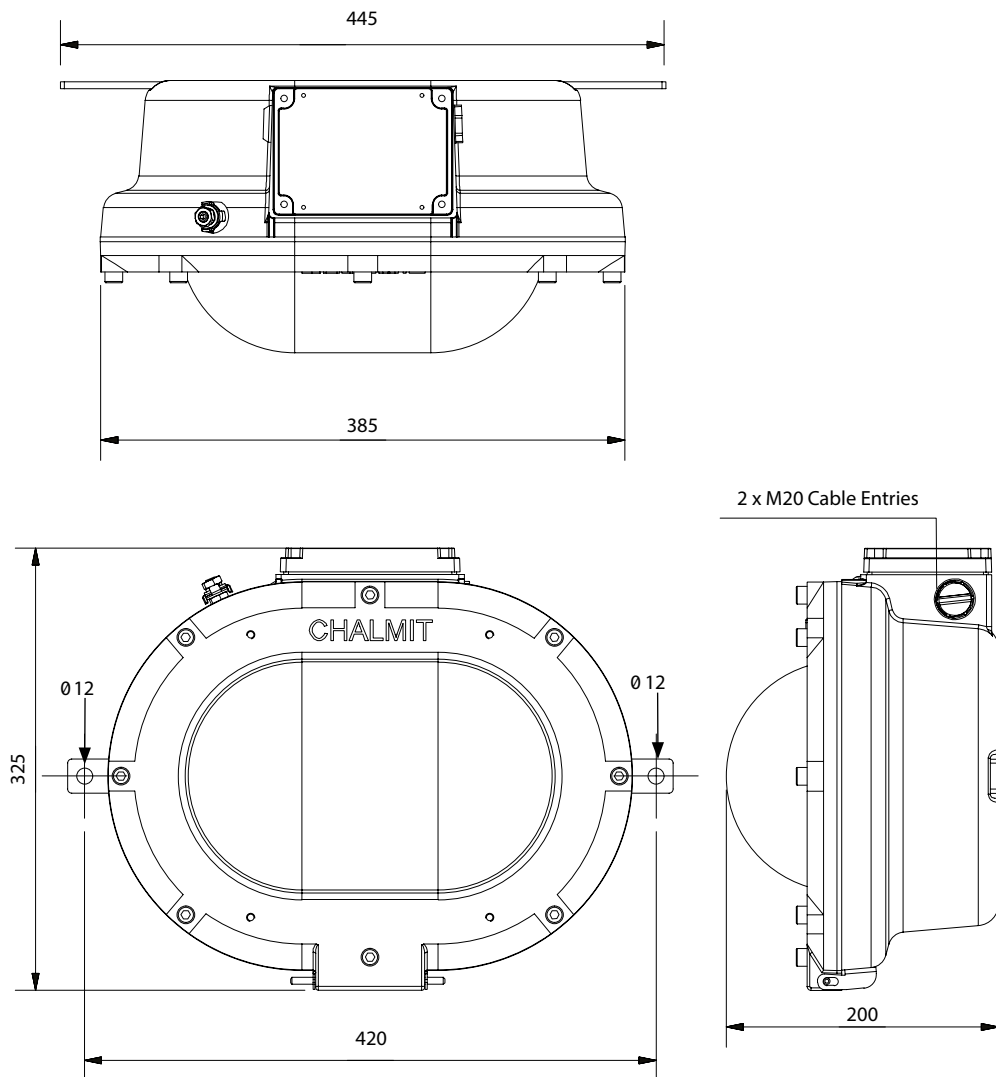
Options - Suffix to Catalogue No.

<b>/M25</b>	M25 Cable entries	<b>/P</b>	Marine grade polyester coating (RAL 7043) with PTFE
<b>/SP</b>	IP68 version (1m for 24 hours*) (Painted version with single entry and without looping)	<b>/3-4NPT</b>	3/4" NPT entries
<b>/EP</b>	Painted		

\*Other depths available

**Accessories** *Accessories should be ordered separately*

	Order Code
Pole mounting bracket assembly (38-50mm diameter poles)	<b>SNEV1-0001</b>
Wire Guard	<b>SNEV1-0002</b>
Hand rail mounting bracket assembly	<b>SNEV4-0003</b>





# STARLINE II

LED Streetlight

The **Starline II** LED perfectly combines innovations in heat management, optical performance and energy saving in a sleek exterior.

The ultimate solution to replace traditional HID sources with versatility and reliability. High power LEDs minimise energy and operating costs, while the low profile appearance and low weight allow the Starline II to be safely installed on new and existing infrastructure.

### Mounting Options

Post Top/Slip Fitter. Side Entry Spigot. Wall Mount.



## Standard Specification

Starline II LED Streetlight

Enclosure	Die cast aluminum alloy with RAL7030 grey polyester powder coat paint
Entry	Side entry as standard
Termination	Pre-installed flying leads
Installation	Spigot entry (48-60mm OD pole)
Control Gear	Electronic Driver
Colour Temperature (CCT)	5000K (Cool White)
Colour Rendering Index (Ra)	>70
Maintenance	Underside access, secured by socket heads
Ingress Protection	IP65 to EN 60529
Surge Protection	6kV
Electrical Supply	120-240V AC 50/60Hz

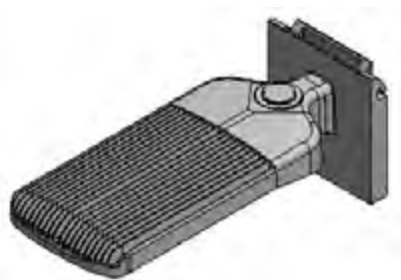
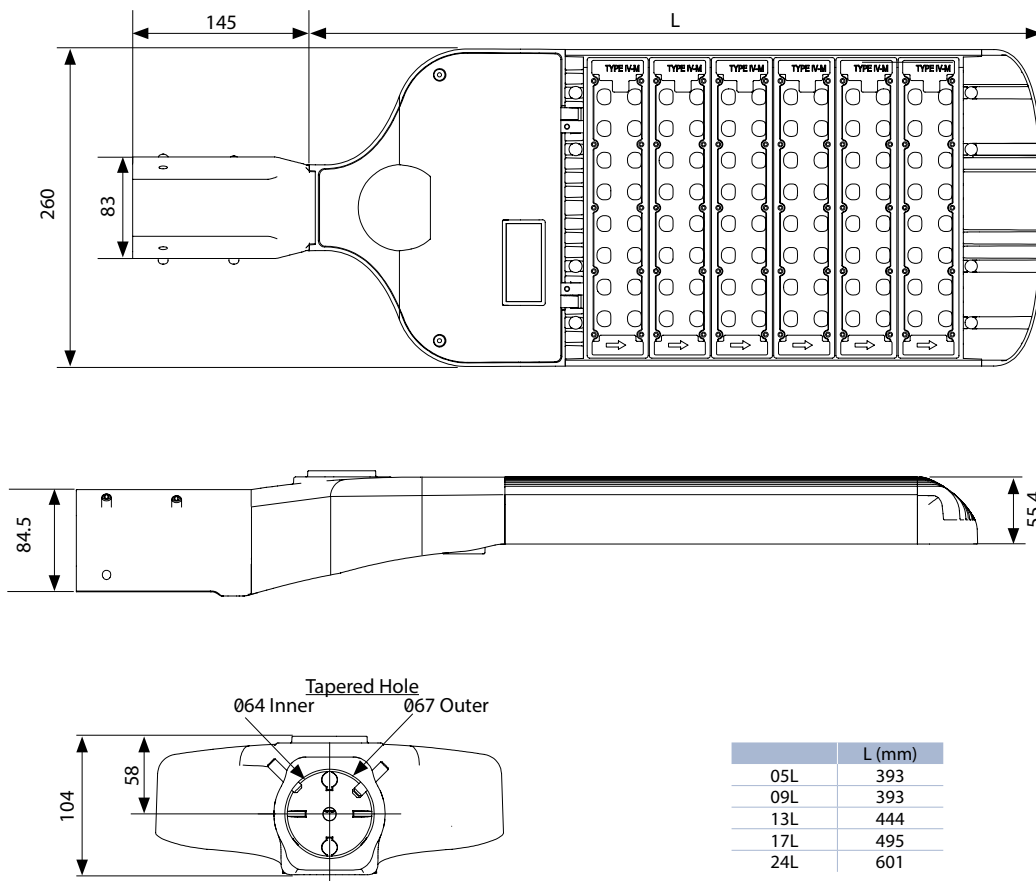
## Features

- ◆ Highly **Energy Efficient**
- ◆ **Dark sky friendly**, no upward light
- ◆ **Slim, elegant design**
- ◆ **Lightweight** and low windage
- ◆ **130,000 maintenance free hours** at 25°C (L70)

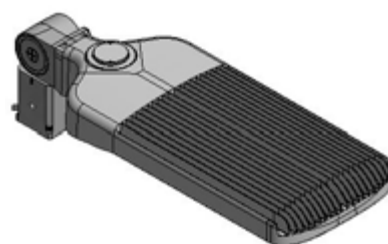
Std. Cat No.	Delivered Output	Power Consumption	Ambient °C	Weight
SL2I/05L/LE	4835 lm	40W	-40 to +55	5.0kg
SL2I/09L/LE	8923 lm	75W	-40 to +55	5.0kg
SL2I/13L/LE	13226 lm	120W	-40 to +55	6.0kg
SL2I/17L/LE	17355 lm	150W	-40 to +55	6.5kg
SL2I/24L/LE	24318 lm	200W	-40 to +55	8.0kg

Options - Suffix to Catalogue No

/SF	Slip Fitter mount (40-55mm OD column)	/WM	Wall mount
/10C	10m (3 core) cable - fitted for ease of installation [spigot entry only]		



Wall Mount



Slip Fitter (Post Top) Mount



## Hubbell Harsh & Hazardous

Extreme environments demand superior performance, which is why you will find Hubbell products and systems installed in some of the most arduous and safety critical locations worldwide.

**The Hubbell Harsh & Hazardous group combines dedicated, market leading brands within the Hubbell portfolio to provide a complete package for companies operating in some of the toughest environments on the planet.**

We are committed to providing quality products and services that will meet and exceed your expectations. Our principal activities include the design and manufacture of rugged and hard wearing products. These include telephones and communication products, lighting, control gear and electrical connection products, all designed to operate primarily in extreme outdoor, hazardous and corrosive areas.

## Our Brands

All of our brands are long established and well respected businesses within each of their industries. Our primary industry sectors include: Oil & Gas, Petrochemical, Industrial, Marine, Military, Transport and Commercial.



## Corporate Information

Hubbell Incorporated HQ is based in Connecticut, U.S.A. and you can find out more information about the Hubbell Group on our corporate website at [www.hubbell.com](http://www.hubbell.com)



# Contact Details

## United Kingdom

Chalmit PO Box 5575 Glasgow G52 9AP UK  
Tel: +44 (0) 141 882 5555 Fax: +44 (0) 141 883 3704 Email: info@chalmit.com

## Middle East

Building No. 5EA Office No. G03  
Dubai Airport Free Zone (DAFZ) PO Box 23529 Dubai UAE  
Tel: +971 (0)4 609 1222 Email: middle-east@chalmit.com

## Asia Pacific

130 Joo Seng Road #03-02 Olivine Building Singapore 368357  
Tel: +65 6282 2242 Fax: +65 6284 4244 Email: asia-pacific@chalmit.com

## Korea

512 Hyosung Intellian 681-3 Deungchon Dong  
Kangseo-Ku Seoul 157-030 Korea  
Tel: +82 2 2063 3719 Fax: +82 2 2603 7386  
Mob: +82 10 9977 6349 Email: korea@chalmit.com

## China

Room H/I 18F No. 728 Pudong Avenue  
Shanghai International Ocean and Finance Building Shanghai 200120 P.R. China  
Tel: (86 21) 3392 6550 ext. 318 Fax: (86 21) 3392 6551  
Mob: +(86 139) 1829 4175 6349 Email: china@chalmit.com