



# ORION

LED HighBay

The **Orion** LED Highbay is a versatile and cost effective luminaire designed to illuminate interior industrial spaces. It's simple design provides high quality economical lighting, available in either an 18,000 lumen or 27,000 lumen package.

The Orion has five different reflector options including clear acrylic, translucent white, opalescent acrylic and suspended bead, and a number of lens options to suit any application.



## Mounting Options

Pendant. Medium Bay. Low Bay.

## Standard Specification

Orion LED Highbay

Enclosure	Grey painted cast aluminium housing with clear acrylic reflector optic
Entry	2 x M20 cable entries on PL511 terminal box
Termination	3 core 6mm <sup>2</sup> max conductor with looping (within PL511 terminal box)
Installation	Stirrup mounting bracket
Control Gear	Electronic Driver
Colour Temperature (CCT)	5000K (Cool White)
Maintenance	4 screws on optic chamber cover
Ingress Protection	IP66 (optic chamber and terminal box), IP67 (driver)
Surge Protection	4kV
Electrical Supply	120-277V AC 50/60Hz



Clear Acrylic



Anodised Aluminium



Opalescent Acrylic



Suspended Bead



Translucent White

## Features

- ◆ Highly **Energy Efficient**
- ◆ **Instant on** crisp white light output
- ◆ **Lower power consumption** than HID lamps
- ◆ **Low temperature applications** to -40°C
- ◆ **120,000 maintenance free hours** at 25°C (L70)

Std. Cat No.	Delivered Output	Power Consumption	Ambient °C	Weight
ORII/18L/LE	18335 lm	167W	-40 to +50	6.8kg
ORII/27L/LE	26985 lm	255W	-40 to +40	6.8kg

Options - Suffix to Catalogue No.

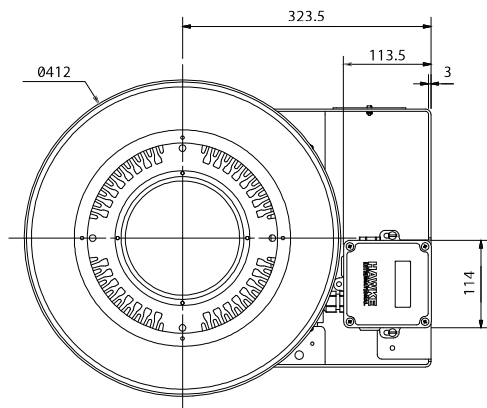
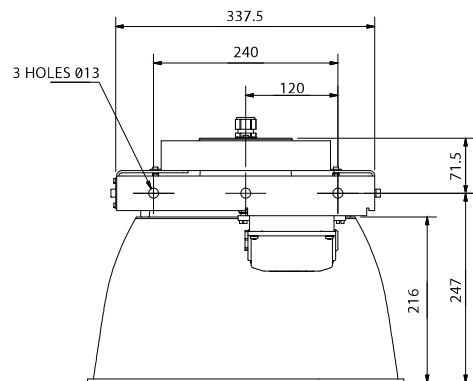
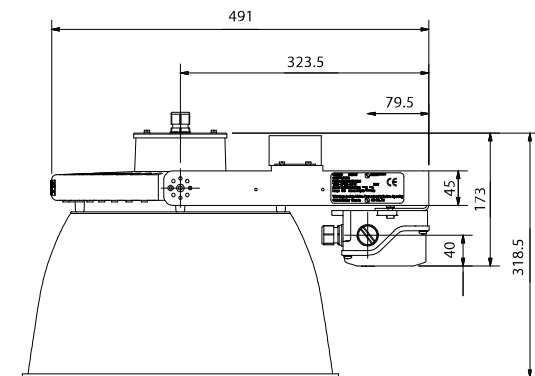
/WW	Translucent white reflector*	/AL	Anodised Aluminium reflector*
/OP	Opalescent acrylic reflector*	/SB	Suspended bead reflector*
/4K	4000K (Neutral White) LEDs	/NR	Without External Reflector

\*Reflectors are ordered in place of standard clear acrylic optic

### Accessories Accessories should be ordered separately

	Order Code
Wire guard	<b>Please contact Chalmit sales for information</b>
Conical drop lens	
Dropped lens refractor	
Frosted acrylic lens	

### ORII/\*\*\*/LE



### ORII/\*\*\*/LE/NR

