



The Sterling II is a high quality but cost effective fluorescent. Its lightweight and slimline construction make it simple to install and maintain.

The luminaire has copper and iron control gear and is available with single and twin lamp versions.

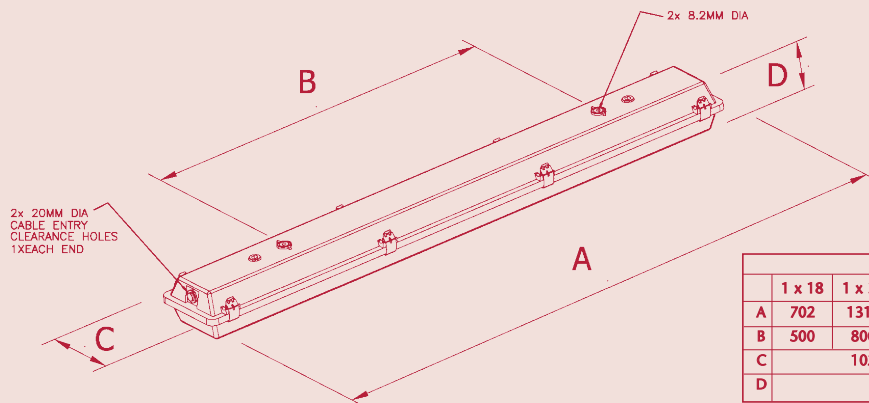
Standard Specification		Features
Ingress Protection	IP65 to EN60529	Robust polycarbonate diffuser with stainless steel clips as standard
Enclosure	GRP body with clear polycarbonate diffuser Stainless steel retaining clips	
Entries	2 x 20mm clearance holes (one either end)	Simple to install and maintain
Termination	4 core 4mm ² max conductors	Lightweight and slim line construction
Reflector/Gear-tray	White polyester painted zinc coated steel	
Mounting	8mm clearance holes, sealing washers are provided	
Control Gear	Copper & Iron switch start ballast	
Relamping	Access via front diffuser secured by quick release stainless steel clips	
Electrical Supply	240V 50Hz	
Battery	Ni-Cd (6V)	
Duration	3 Hours	
Emergency Output	32% of one lamp (18W) 14% of one lamp (36W) 9% of one lamp (58W)	

Std. Cat No.	Wattage	Voltage	Lamp Type	Lampholder	Weight
ST2I/118/BI	1x18W	240V 50Hz	T8 Fluorescent	G13	2.5kg
ST2I/218/BI	2x18W	240V 50Hz	T8 Fluorescent	G13	3.2kg
ST2I/136/BI	1x36W	240V 50Hz	T8 Fluorescent	G13	3.6kg
ST2I/236/BI	2x36W	240V 50Hz	T8 Fluorescent	G13	4.2kg
ST2I/158/BI	1x58W	240V 50Hz	T8 Fluorescent	G13	4.2kg
ST2I/258/BI	2x58W	240V 50Hz	T8 Fluorescent	G13	5.1kg
ST2I/118/BI/EM*	1x18W	240V 50Hz	T8 Fluorescent	G13	4.8kg
ST2I/218/BI/EM	2x18W	240V 50Hz	T8 Fluorescent	G13	5.2kg
ST2I/136/BI/EM*	1x36W	240V 50Hz	T8 Fluorescent	G13	5.6kg
ST2I/236/BI/EM	2x36W	240V 50Hz	T8 Fluorescent	G13	6.1kg
ST2I/158/BI/EM*	1x58W	240V 50Hz	T8 Fluorescent	G13	5.7kg
ST2I/258/BI/EM	2x58W	240V 50Hz	T8 Fluorescent	G13	7.1kg

* Emergency single lamp models are in twin lamp bodies

Options – Suffix to Catalogue No.

/NM	Non maintained emergency version (single lamp bodies only)	/T	Through wired
/MF	Mains fuse	/ES	Electronic starter
		/EA	External earth



Accessories Should be ordered separately

Catalogue Order Code

Pole mounting bracket assembly (38-42mm diameter poles)	SPOL4-100004
Pole mounting bracket assembly (48-52mm diameter poles)	SPOL4-100005
Pole mounting bracket assembly (58-62mm diameter poles)	SPOL4-100006
Hook type ceiling bracket assembly	S3004-100003
Ceiling bracket assembly	S3004-100001
Flush mounting wall bracket assembly	S3004-100004
18W wall mounting outreach bracket (use with SPOL4-100004)	NPRO4-0008
36W wall mounting outreach bracket (use with SPOL4-100004)	NPRO4-0012
58W wall mounting outreach bracket (use with SPOL4-100004)	NPRO4-0022

Product design and specifications are subject to change without notice, please check the Chalmit® website for latest specifications.



The Sterling II H/F features the same lightweight design but incorporates high frequency electronic control gear.

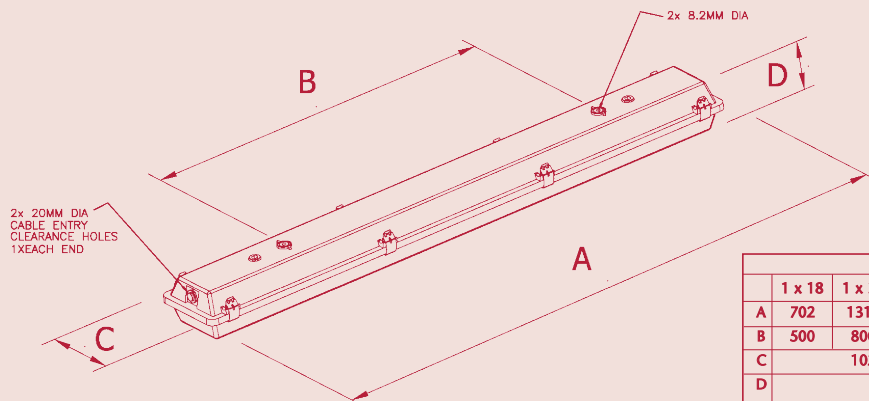
Standard Specification		Features
Ingress Protection	IP65 to EN60529	Robust polycarbonate diffuser with stainless steel clips as standard
Enclosure	GRP body with clear polycarbonate diffuser Stainless Steel retaining clips	
Entries	2 x 20mm clearance holes (one either end)	High frequency control gear gives 50/60Hz operation, high power factor correction and regulation of lamp output
Termination	4 core 4mm ² max conductors	
Reflector/Gear-tray	White polyester painted zinc coated steel	Simple to install and maintain
Mounting	8mm clearance holes, sealing washers are provided	Lightweight and slim line construction
Control Gear	High frequency electronic ballast	
Relamping	Access via front diffuser secured by quick release stainless steel clips	
Electrical Supply	Non-emergency version - 120V-254V 50/60Hz 175V-270V DC Emergency version - 220-254V 50/60Hz	
Battery	Ni-Cd (6V)	
Duration	3 Hours	
Emergency Output	32% of one lamp (18W) 14% of one lamp (36W) 9% of one lamp (58W)	

Std. Cat No.	Wattage	Voltage	Lamp Type	Lampholder	Weight
ST2I/118/BI/HF	1x18W	120V-254V 50/60Hz	T8 Fluorescent	G13	2.3kg
ST2I/218/BI/HF	2x18W	120V-254V 50/60Hz	T8 Fluorescent	G13	2.6kg
ST2I/136/BI/HF	1x36W	120V-254V 50/60Hz	T8 Fluorescent	G13	3.3kg
ST2I/236/BI/HF	2x36W	120V-254V 50/60Hz	T8 Fluorescent	G13	3.6kg
ST2I/158/BI/HF	1x58W	120V-254V 50/60Hz	T8 Fluorescent	G13	3.7kg
ST2I/258/BI/HF	2x58W	120V-254V 50/60Hz	T8 Fluorescent	G13	4.1kg
ST2I/118/BI/EM/HF*	1x18W	220V-254V 50/60Hz	T8 Fluorescent	G13	4.3kg
ST2I/218/BI/EM/HF	2x18W	220V-254V 50/60Hz	T8 Fluorescent	G13	4.6kg
ST2I/136/BI/EM/HF*	1x36W	220V-254V 50/60Hz	T8 Fluorescent	G13	5.3kg
ST2I/236/BI/EM/HF	2x36W	220V-254V 50/60Hz	T8 Fluorescent	G13	5.6kg
ST2I/158/BI/EM/HF*	1x58W	220V-254V 50/60Hz	T8 Fluorescent	G13	5.7kg
ST2I/258/BI/EM/HF	2x58W	220V-254V 50/60Hz	T8 Fluorescent	G13	6.1kg

* Emergency single lamp models are in twin lamp bodies

Options – Suffix to Catalogue No.

/120	110-130V 50/60Hz High Frequency ballast (36W & 58W Emergency version only)	/MF	Mains fuse
/NM	Non maintained emergency version (single lamp bodies only)	/T	Through wired
		/EA	External earth



	Dimensions					
	1 x 18	1 x 36	1 x 58	2 x 18	2 x 36	2 x 58
A	702	1312	1612	702	1312	1612
B	500	800	1100	500	800	1100
C	102			172		
D	106					

Accessories Should be ordered separately

Catalogue Order Code

Pole mounting bracket assembly (38-42mm diameter poles)	SPOL4-100004
Pole mounting bracket assembly (48-52mm diameter poles)	SPOL4-100005
Pole mounting bracket assembly (58-62mm diameter poles)	SPOL4-100006
Hook type ceiling bracket assembly	S3004-100003
Ceiling bracket assembly	S3004-100001
Flush mounting wall bracket assembly	S3004-100004
18W wall mounting outreach bracket (use with SPOL4-100004)	NPRO4-0008
36W wall mounting outreach bracket (use with SPOL4-100004)	NPRO4-0012
58W wall mounting outreach bracket (use with SPOL4-100004)	NPRO4-0022

Product design and specifications are subject to change without notice, please check the Chalmit® website for latest specifications.