



The Protecta is a proven and reliable T8 fluorescent luminaire. The Protecta's rugged, corrosion resistant construction (IP66/IP67) combined with an advanced high frequency ballast ensure minimum product maintenance is required.

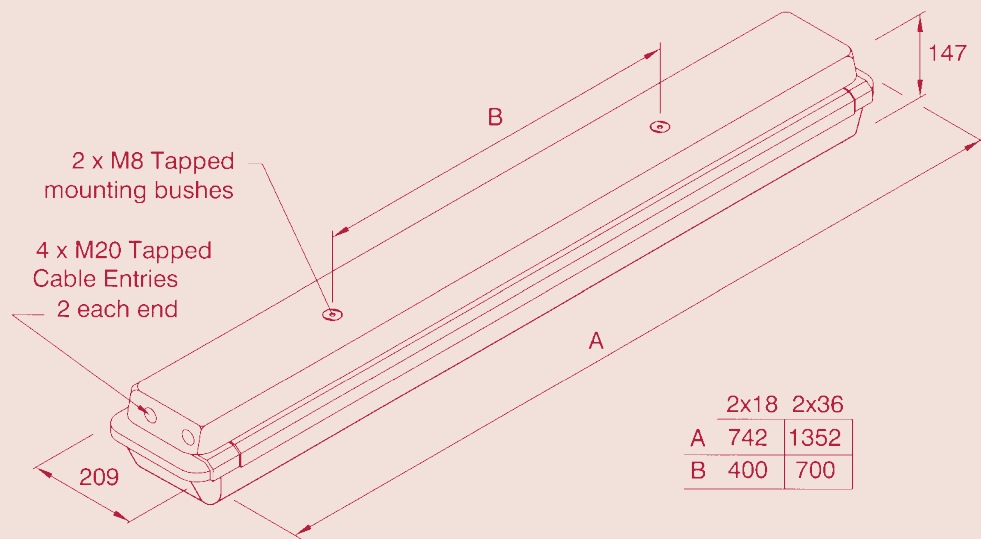
When access is required the Protecta Industrial features an easy access clamp bar and automatic lamp de-energisation to allow quick and easy re-lamping.

Standard Specification		Features
Ingress Protection	IP66/67 to EN60529	Simple rugged construction
Enclosure	GRP body with clear polycarbonate diffuser and brass suspension points	Full length easy access diffuser clamp
		Hinged cover
Entries	4 x M20 cable entries (2 each end)	Standard fixing centres
Termination	Quick release mains terminals - 3 core 4mm ² max. conductor with looping and 16A rating through wiring. (6mm ² terminations available - /SC option)	When fitted high frequency control gear gives 50/60Hz operation, high power factor correction and regulation of lamp output
		Quick release mains terminals
Reflector/Gear-tray	White polyester painted zinc coated steel	DTS-01 deluge tested
Mounting	Two M8 brass inserts on rear of body	Vibration tested to comply with Lloyds/DNV
Control Gear	High Frequency electronic control gear	A copper and iron version is also available. To order substitute /HF with /ES and specify the voltage
Relamping	Via quick-release diffuser clamp and hinged diffuser	
Electrical Supply	110-254V 50/60Hz	

Std. Cat No.	Wattage	Lamp Type	Lampholder	Weight
PRGI/118/BI/HF	1x18W	T8 Fluorescent	G13	6.0kg
PRGI/218/BI/HF	2x18W	T8 Fluorescent	G13	6.1kg
PRGI/136/BI/HF	1x36W	T8 Fluorescent	G13	9.6kg
PRGI/236/BI/HF	2x36W	T8 Fluorescent	G13	9.8kg

Options – Suffix to Catalogue No.

/---	Specific voltage - Copper/iron ballasts: 120, 220, 230, 254V	/3P	3 phase termination facility (not available if looping is required)
/ES	Electronic start (copper/iron ballast only)	/M25	M25 cable entry
/60	60Hz supply (copper/iron ballasts only)	/SC	Screwed connection terminal block (up to 6mm ² conductors)
/EL	Extra live termination (compatible with 4 core switched emergency models)	/SB	Stainless steel mounting bush
/MF	Mains fuse	/SE	Spigot entry



Accessories Should be ordered separately

Catalogue Order Code

Pole mounting bracket assembly (38-42mm diameter poles)	SPOL4-100001
Pole mounting bracket assembly (48-52mm diameter poles)	SPOL4-100002
Pole mounting bracket assembly (58-62mm diameter poles)	SPOL4-100003
Hook type ceiling bracket assembly	SPRO4-0005
Ceiling bracket assembly	SPRO4-0002
Flush mounting wall bracket assembly	SPRO4-0006
Eyebolt mounting assembly	SPRO5-0005
Looping Kit – non emergency version (allows looping from both ends of luminaire)	SPROT-0021
Looping Kit – emergency version (allows looping from both ends of luminaire)	SPROT-0022
18W wall mounting outreach bracket (use with SPOL4-100001)	NPRO4-0008
36W wall mounting outreach bracket (use with SPOL4-100001)	NPRO4-0012



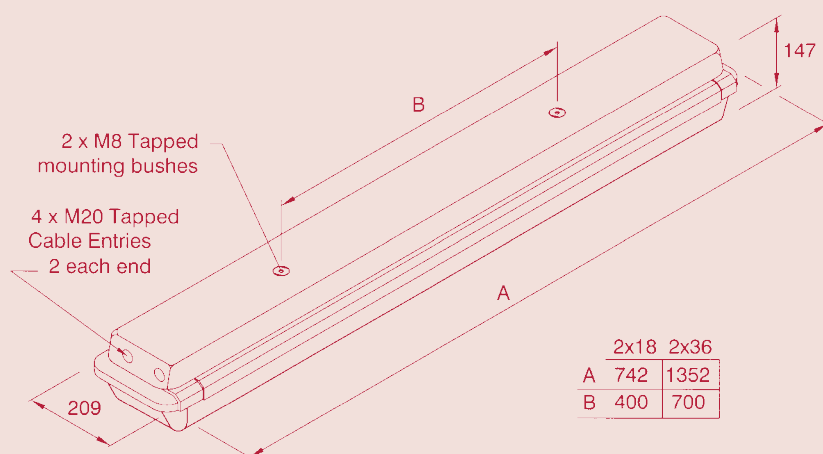
The Protecta Industrial has the same rugged and proven design as the Ex Protecta. This includes high ingress protection with DTS-01 deluge compliance and vibration resistance in accordance with Lloyds/DNV standards. The Emergency version also features an internal battery to allow operation in the event of mains power failure.

Standard Specification		Features
Ingress Protection	IP66/67 to EN60529	Simple rugged construction
Enclosure	GRP body with clear polycarbonate diffuser and brass suspension points	Full length easy access diffuser clamp
Entries	4 x M20 cable entries (2 each end)	Standard fixing centres
Termination	Quick release mains terminals - 3 core 4mm ² max. conductor with looping and 16A rating through wiring. (6mm ² terminations available - /SC option)	High frequency control gear gives 50/60Hz operation, high power factor correction and regulation of lamp output
Reflector/Gear-tray	White polyester painted zinc coated steel	Quick release mains terminals
Mounting	Two M8 brass inserts on rear of body	DTS-01 deluge tested
Control Gear	High Frequency ballast & inverter c/w battery pack	Vibration tested to comply with Lloyds/DNV
Relamping	Via quick-release diffuser clamp and hinged diffuser	Optional battery monitoring and self-testing control gear
Electrical Supply	220-240V 50/60Hz	
Battery	Ni-Cd (6V)	
Duration	3 Hours to EN 60598-2-22	
Emergency Output	32% of one lamp (18W) 14% of one lamp (36W)	

Std. Cat No.	Wattage	Lamp Type	Lampholder	Weight
PRGI/118/BI/EM	1x18W	T8 Fluorescent	G13	8.1kg
PRGI/218/BI/EM	2x18W	T8 Fluorescent	G13	8.3kg
PRGI/136/BI/EM	1x36W	T8 Fluorescent	G13	12.2kg
PRGI/236/BI/EM	2x36W	T8 Fluorescent	G13	12.4kg

Options – Suffix to Catalogue No.

/120	110-130V	/SC	Screwed connection terminal block (up to 6mm ² conductors)
/NM	Non-maintained (single lamp models only)	/SB	Stainless steel mounting bush
/MF	Mains fuse	/LBE	Looping both ends
/3P	3 phase termination facility (not available if through wiring is required)	/BMT	Battery monitoring and self-test
/M25	M25 cable entry	/SE	Spigot entry



Accessories Should be ordered separately

Catalogue Order Code

Pole mounting bracket assembly (38-42mm diameter poles)	SPOL4-100001
Pole mounting bracket assembly (48-52mm diameter poles)	SPOL4-100002
Pole mounting bracket assembly (58-62mm diameter poles)	SPOL4-100003
Hook type ceiling bracket assembly	SPRO4-0005
Ceiling bracket assembly	SPRO4-0002
Flush mounting wall bracket assembly	SPRO4-0006
Eyebolt mounting assembly	SPRO5-0005
Looping Kit – non emergency version (allows looping from both ends of luminaire)	SPROT-0021
Looping Kit – emergency version (allows looping from both ends of luminaire)	SPROT-0022
18W wall mounting outreach bracket (use with SPOL4-100001)	NPRO4-0008
36W wall mounting outreach bracket (use with SPOL4-100001)	NPRO4-0012