



# ACCLAIM

LED Recessed Linear

The **Acclaim** is a recessed luminaire designed for use in solid or plank ceiling types.

Widely used in offshore accommodation modules this proven luminaire is now available in LED bringing all the benefits of long life LED technology with replaceable LED strips and driver.



CE

International Approvals

## Mounting Options

Recessed. Suspended. (drop rods)

## Standard Specification

Acclaim LED Recessed Linear

Enclosure	White polyester painted zintec body and frame. Frame colour RAL 9010. Prismatic diffuser.
Geartray	Aluminium
Entry	4 x 21mm clearance holes (supplied plug)
Termination	Quick release mains terminals - 3 core 4mm <sup>2</sup> max conductor with looping and through wiring facility [4 core on emergency]
Installation	Fixed side brackets with swing out arms, and provision for drop rod mounting
Control Gear	Electronic Driver
Colour Temperature (CCT)	4000K (Neutral White)
Colour Rendering Index (Ra)	>80
Maintenance	Via front cover, secured by pan head screws
Battery	Internal Ni-Cd (6V) [Emergency version only]
Emergency Duration	3 Hours (02L version = 33% output, 04L version = 15% output)
Ingress Protection	IP54 to EN60529
Surge Protection	4kV
Electrical Supply	220-240V AC, 50/60Hz

## Features

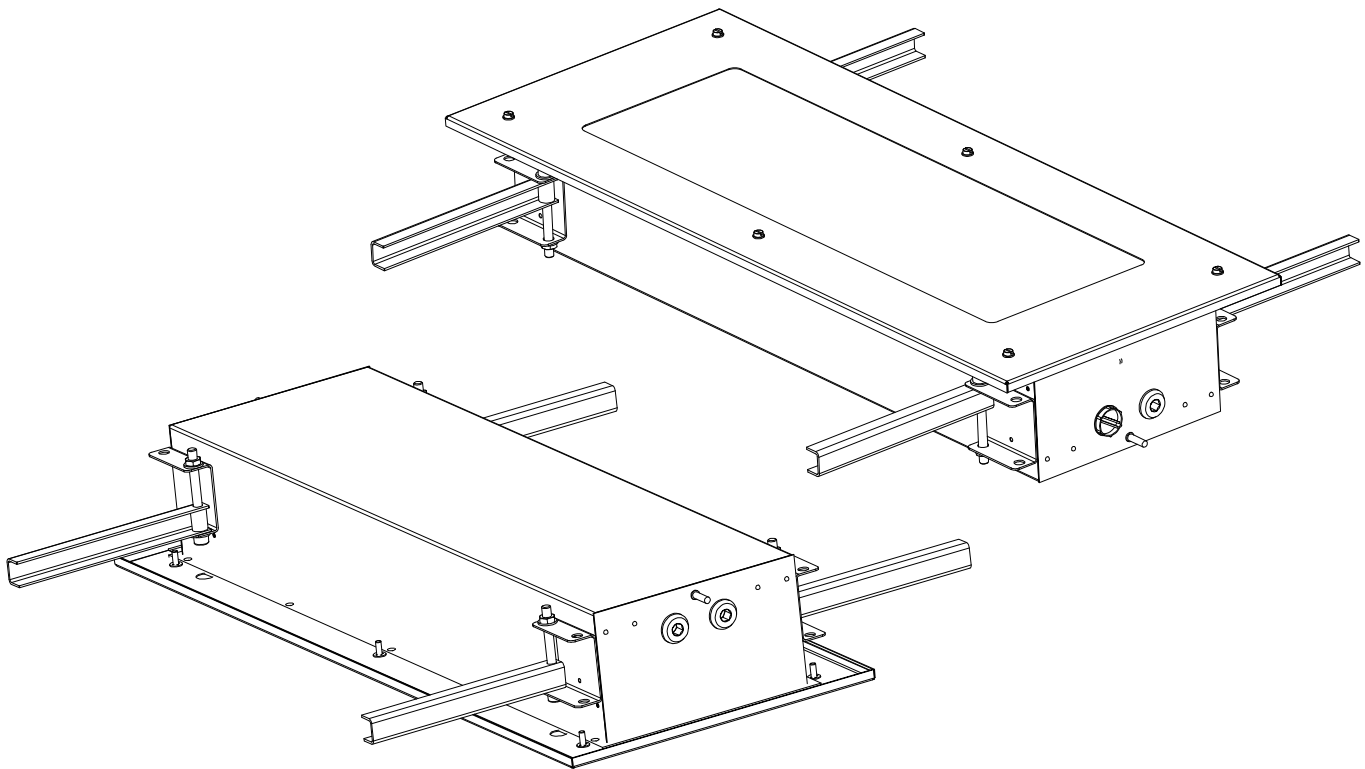
- ◆ Highly **Energy Efficient**
- ◆ **Replaceable LED strips and driver**
- ◆ **Resistant** to voltage fluctuations
- ◆ **Quick release** mains terminal
- ◆ Battery Monitoring and **automatic self test**
- ◆ **Retrofit geartray** available
- ◆ **80,000 maintenance free hours** at 25°C (L70)

Std. Cat No.	Delivered Output	Power Consumption	Ambient °C	Weight
<b>ACLI/02L/LE</b>	1632 lm	20W	-20 to +45	6.0kg
<b>ACLI/04L/LE</b>	4035 lm	42W	-20 to +45	11.0kg
<b>ACLI/02L/LE/EM</b>	1632 lm	24W	-20 to +45	8.5kg
<b>ACLI/04L/LE/EM</b>	4035 lm	47W	-20 to +45	13.5kg

*\*Note: Installed Industrial Acclaim fluorescents can be upgraded to LED by ordering a Retrofit Geartray ACRI. Substitute ACRI for ACLI in the above partcodes.*

Options - Suffix to Catalogue No.

<b>/PC</b>	Solid plank ceiling (Painted frame colour RAL 9016G)	<b>/DM</b>	Digital Dimming (DALI)
<b>/SC</b>	Screwed connection terminal block (up to 6mm <sup>2</sup> conductors)	<b>/SSCS</b>	Brushed stainless steel cover (M300 ceiling only)
<b>/EL</b>	Extra live termination facility (compatible with 4 core switched emergency circuits)	<b>/SSC</b>	Brushed stainless steel cover (Solid plank ceiling only)
<b>/25</b>	25mm cable entries	<b>/MF</b>	Mains fuse
<b>/120</b>	Specific voltage (110-130V AC)	<b>/3K</b>	3000K (Warm White) LED Strips

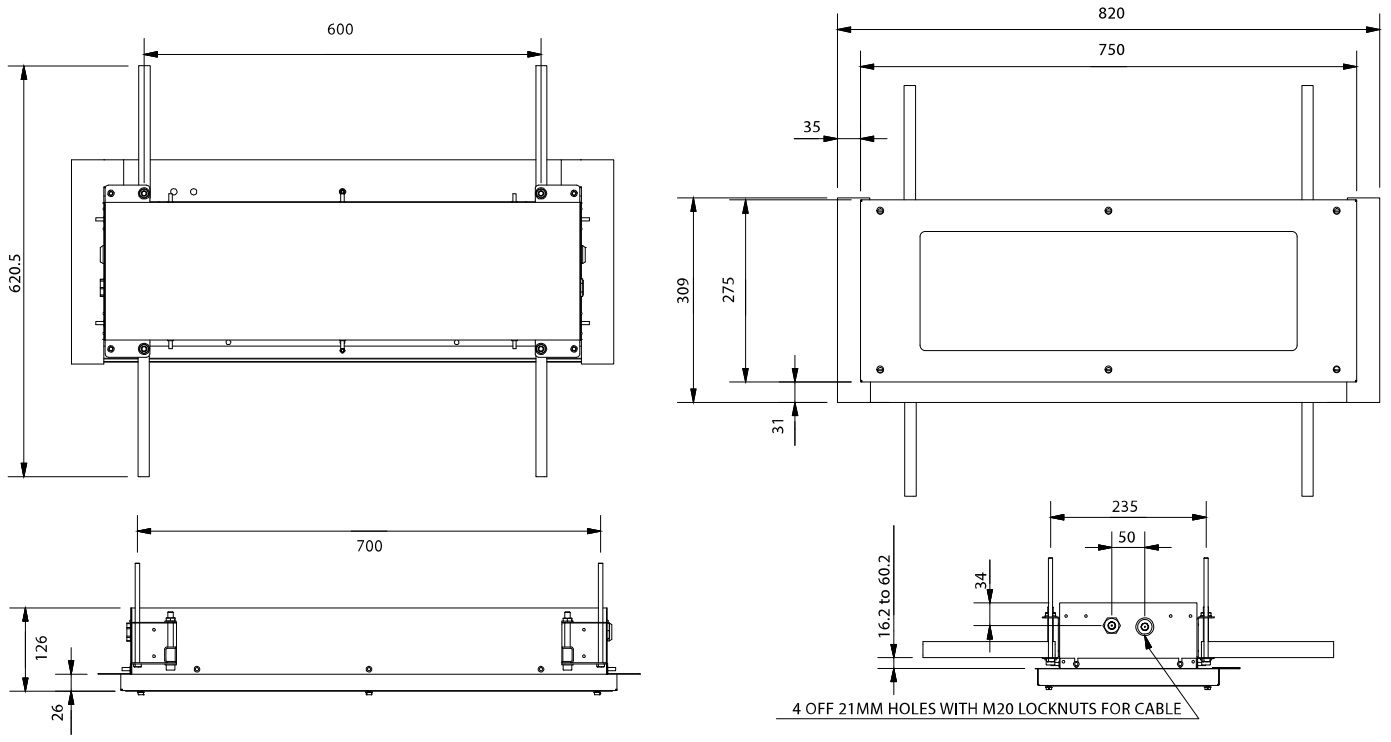


Adjust to ensure ceiling integrity

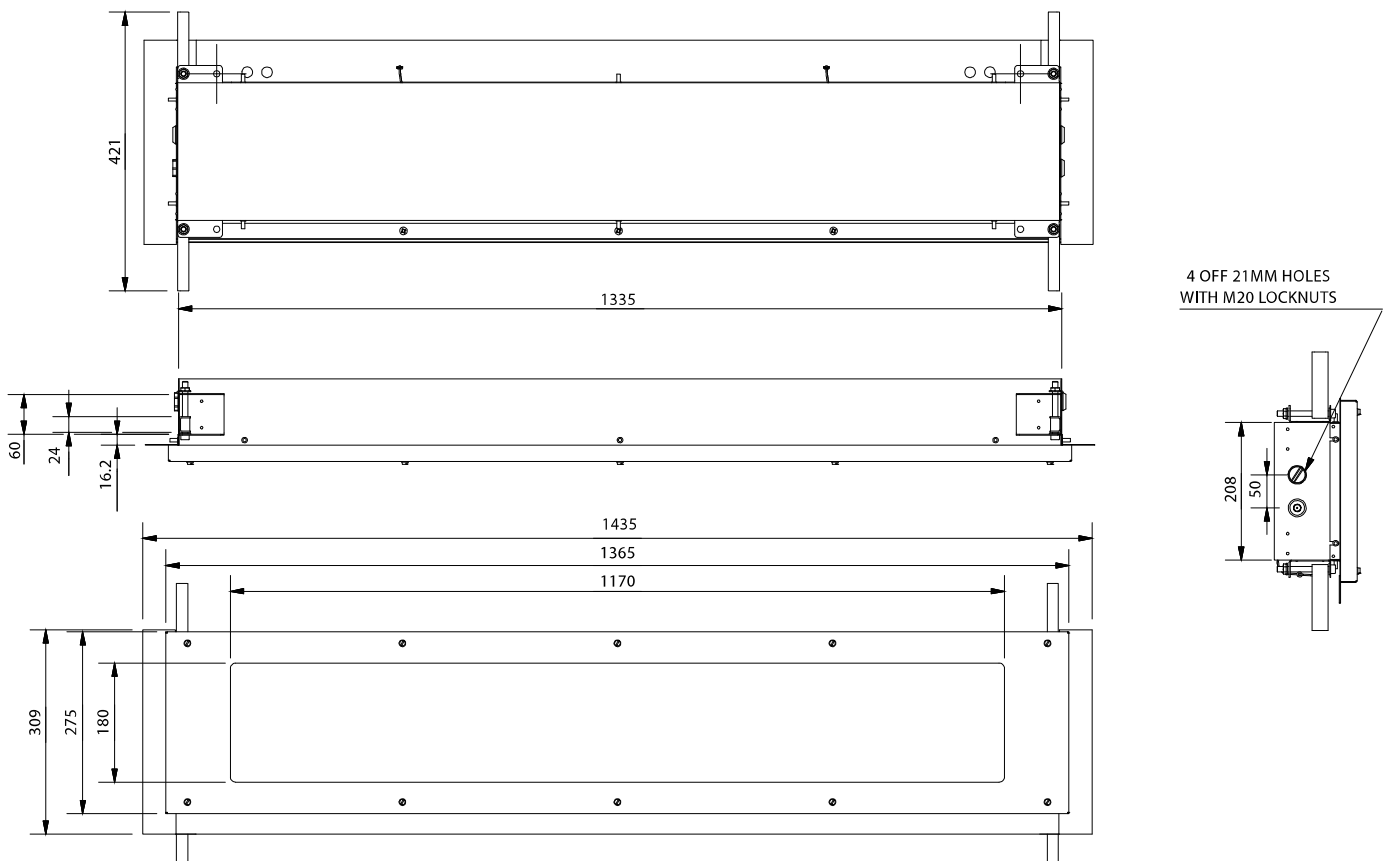


Single screw height adjustment

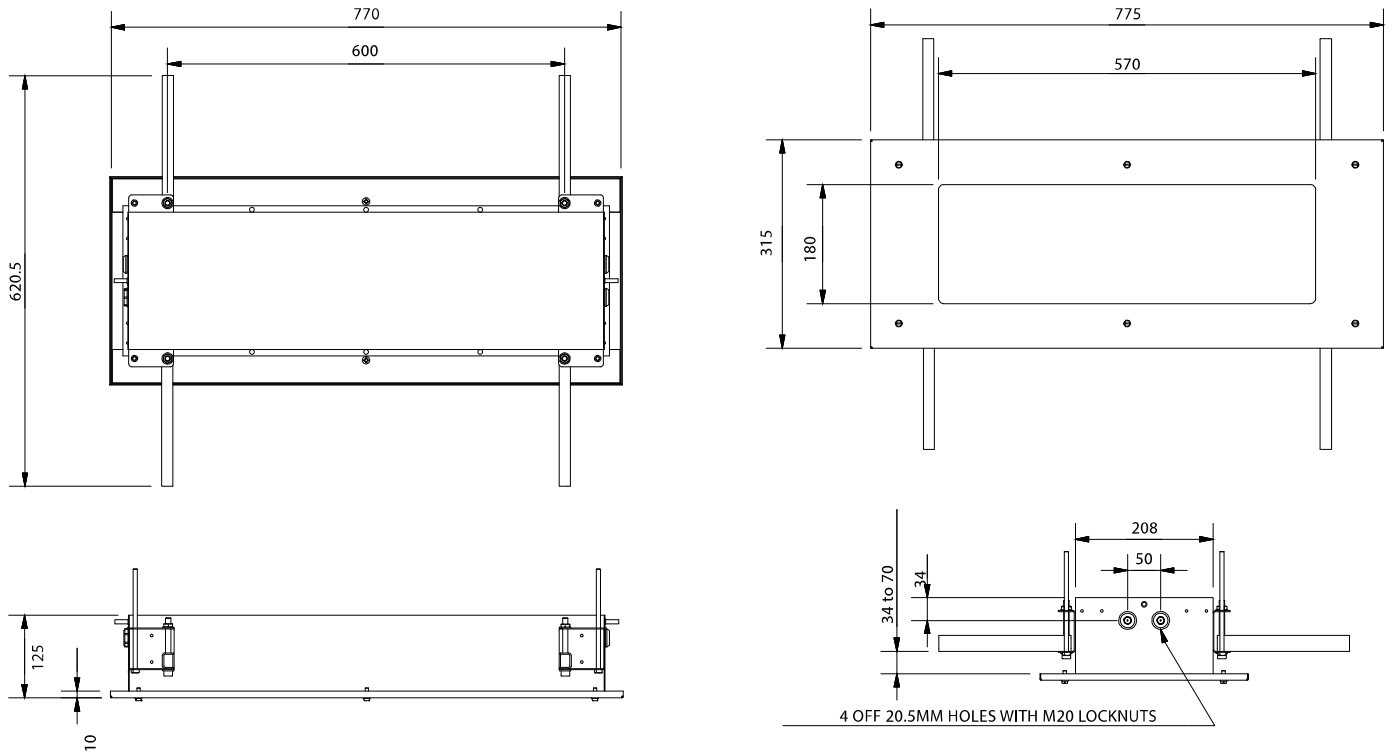
ACLI/02L/LE



ACLI/04L/LE



ACLI/02L/LE/PC



ACLI/04L/LE/PC

